

DEPARTMENT OF THE ARMY TECHNICAL MANUAL

---

ORGANIZATIONAL, DIRECT AND GENERAL SUPPORT,  
AND DEPOT MAINTENANCE REPAIR PARTS  
AND SPECIAL TOOLS LIST

COMPRESSOR, RECIPROCATING: POWER DRIVEN;  
WHEEL MOUNTED: 2 WHEEL, PNEUMATIC TIRES,  
W/TOWBAR AND LUNETTE EYE, GASOLINE ENGINE;  
4.00 CFM, 3000 PSI (STEWART-WARNER MODEL  
3800219) FSN 4310-728-2031 (STEWART-  
WARNER MODEL 3800219-1) FSN 4310-930-0060

---

HEADQUARTERS, DEPARTMENT OF THE ARMY  
JULY 1969.

**ORGANIZATIONAL, DIRECT AND GENERAL SUPPORT,  
AND DEPOT MAINTENANCE REPAIR PARTS  
AND-SPECIAL TOOLS LIST**

**COMPRESSOR, RECIPROCATING: POWER DRIVEN;  
WHEEL MOUNTED: 2 WHEEL, PNEUMATIC TIRES,  
W/TOWBAR AND LUNETTE EYE, GASOLINE ENGINE;  
4.00 CFM, 3000 PSI (STEWART-WARNER MODEL  
3800219) FSN 4310-728-2031 (STEWART-  
WARNER MODEL 3800219-1) FSN 4310-930-0060**

Current as of 7 March 1969

		Paragraph	Page
<b>Section I.</b>	<b>INTRODUCTION</b>		
	Scope .....	1	v
	General .....	2	v
	Explanation of columns .....	3	v
	Special information .....	4	vii
	How to locate repair parts .....	5	vii
	Abbreviations .....	6	vii
	Federal supply codes for manufacturers .....	7	vii
	Recommendations for maintenance manual improvements .....	8	viii
<b>Section II.</b>	<b>PRESCRIBED LOAD ALLOWANCE</b>		
<b>III.</b>	<b>REPAIR PARTS FOR ORGANIZATIONAL MAINTENANCE</b>		
Group 01.	Engine		
	0100 Engine assembly .....	1	1
	0101 Crankcase, block, cylinder head .....	1	1
	0102 Crankshaft .....	2	2
	0103 Flywheel assembly .....	2	2
	0105 Valves, camshafts and timing system .....	2	2
	0106 Engine lubrication system .....	2	2
	0107 Engine starting system .....	3	3
03.	Fuel System		
	0301 Carburetor .....	4	4
	0302 Fuel pump .....	4	4
	0304 Air cleaner .....	4	4
	0306 Tanks, line, fittings .....	5	5
	0308 Engine speed governor and controls .....	6	6
	0309 Fuel filters .....	6	6
	0312 Throttle or choke controls .....	7	7
04.	Exhaust System		
	0401 Muffler and pipes .....	7	7
05.	Cooling System		
	0502 Cowling, deflectors, air ducts, shrouds .....	7	7
06.	Electrical System		
	0605 Ignition component .....	8	8
	0607 Instrument or engine control panel .....	8	8
11.	Rear Axle		
	1100 Rear axle assembly .....	9	9

	Paragraph	Page
12. Brakes		
1206 Rods, shaft, springs, pedal .....	9	9
13. Wheels and Tracks		
1311 Wheel assembly .....	10	10
1313 Tires, tubes .....	11	11
15. Frame		
1501 Frame assembly .....	11	11
1503 Pintles and towing attachments .....	11	11
1507 Support stand .....	12	12
18. Body, Cab, Hood and Hull		
1801 Body; cab, hood.....	12	12
22. Body, Chassis or Hull Accessory Items		
2202 Accessory items .....	14	14
2210 Data plates.....	14	14
47. Gages, Non-Electrical, Weighing and Measuring Devices		
4702 Gages, lines and fittings .....	15	15
50. Pneumatic Equipment		
5001 Crankcase, cylinder, cylinder head.....	15	16
5006 Lubrication system.....	15	15
5007 Compressor drive.....	16	16
5008 Air intake.....	16	16
5009 Unloader system components .....	16	16
5010 Compressor cooling and heating .....	21	21
5013 Hose reel .....	22	22
5014 Air receiver .....	23	23
5015 Air discharge system.....	23	23
<b>Section IV. SPECIAL TOOLS, TEST AND SUPPORT EQUIPMENT FOR ORGANIZATIONAL MAINTENANCE (NOT APPLICABLE)</b>		
<b>V. REPAIR PARTS FOR DS, GS, AND DEPOT MAINTENANCE</b>		
Group 01. Engine		
0100 Engine assembly.....	24	24
0101 Crankcase, block, cylinder head.....	24	24
0102 Crankshaft.....	25	25
0103 Flywheel as sembly .....	26	26
0104 Pistons, connecting rods.....	26	26
0105 Valves, camshafts and timing system.....	27	27
0106 Engine lubrication system.....	27	27
0107 Engine starting system.....	28	28
03. Fuel System		
0301 Carburetor .....	29	29
0302 Fuel pumps .....	30	30
0304 Air cleaner .....	30	30
0306 Tanks, lines, fittings .....	30	30
0308 Engine speed governor and controls .....	31	31
0309 Fuel filters .....	32	32
0312 Throttle or choke control.....	32	32
04. Exhaust System		
0401 Muffler and pipes .....	33	33
05. Cooling System		
0502 Cowling deflectors, air duct, shrouds .....	33	33
06. Electrical System		
0605 Ignition components .....	33	33
0607 Instrument or engine control panel .....	34	34
11. Rear Axle		
1100 Rear axle assembly .....	34	34
12. Brakes		
1206 Rods, shaft, spring, pedal.....	35	35
13. Wheels		
1311 Wheel assembly .....	36	36
1313 Tires, tubes.....	36	36
15. Frame		
1501 Frame assembly .....	36	36

	Paragraph	Page
1503 Pintles and towing attachments .....	37	37
1507 Support stand .....	38	38
18. Body, Cab Hood and Hull		
1801 Body, cab, hood.....	38	38
22. Body, Chassis or Hull, and Accessory Items		
2202 Accessory items .....	40	40
2210 Data plates.....	40	40
47. Gages, Non-Electrical, Weighing and Measuring Devices		
4702 Gages, lines and fittings .....	41	41
50. Pneumatic Equipment		
5000 Air compressor assembly.....	41	41
5001 Crankcase, cylinder, cylinder head.....	42	42
5002 Crankshaft.....	44	44
5004 Pistons, connecting rods, rotors.....	44	44
5005 Valves .....	44	44
5006 Lubrication system.....	45	45
5007 Compressor drive.....	47	47
5008 Air intakes.....	47	47
5009 Unloader system components .....	47	47
5010 Compressor cooling and heating .....	55	55
5013 Hose reel.....	55	55
5014 Air receiver .....	56	56
5015 Air discharge system.....	57	57
<b>Section VI. SPECIAL TOOLS, TEST AND SUPPORT EQUIPMENT FOR DS, GS, AND DEPOT MAINTENANCE (NOT APPLICABLE)</b>		
<b>VII. FEDERAL STOCK NUMBER AND REFERENCE NUMBER INDEX</b>		84

## SECTION I

### INTRODUCTION

#### 1. Scope

This manual lists repair parts required for the performance of organizational, direct support, general support, and depot maintenance of the compressor.

#### 2. General

a. The repair parts list is arranged as follows:

(1) Individual parts and major assemblies are listed alphabetically by item name within the numbered functional groups.

(2) Assembly components and subassemblies are indented and listed by item name under major assemblies.

b. This repair parts list is divided into the following sections:

(1) *Prescribed Load Allowance (PLA) - Section II.* A consolidated listing of repair parts quantitatively allocated for initial stockage at the organizational level. *This is a mandatory minimum stockage allowance.*

(2) *Repair Parts - Section III.* A list of repair parts authorized for the performance of maintenance at the organizational level.

(3) *Special Tools, Test and Support Equipment - Section IV.* Not Applicable.

(4) *Repair Parts - Section V.* A list of repair parts authorized for the performance of maintenance at the direct support, general support and depot level.

(5) *Special Tools, Test and Support Equipment - Section VI.* Not Applicable.

(6) *Federal Stock Number and Reference Number Index - Section VII.* A list of Federal stock numbers followed by reference numbers, appearing in all the listings, in ascending alphanumeric sequence cross-referenced to index number.

#### 3. Explanation of Columns

The following provides an explanation of columns in the tabular lists in sections III through VI.

a. *Source, Maintenance, and Recoverability Codes (SMR).*

**Note.** Common hardware items known to be readily available in Army supply channels will be assigned maintenance codes only. Source codes, recoverability codes, and maintenance allowances will not be assigned to this category.

(1) *Source code.* Indicates the selection status and source for the listed item. Source codes use are:

Code	Explanation
P	Applied to repair parts which are stocked in or supplied from DSA/GSA or Army supply system and authorized for use at indicated categories.
P2	Applies to repair parts which are procured and stocked for insurance purposes because the combat or military essentiality of the end item dictates that a minimum quantity be available in the supply system.
M	Applied to repair parts which are not procured or stocked but are to be manufactured at indicated maintenance categories.
A	Applied to assemblies which are not procured or stocked as such but made up of two or more units each of which carry individual stock numbers and descriptions and are procured and stocked and can be assembled by units at indicated maintenance categories.
X	Applied to parts and assemblies which are not procured or stocked, the mortality of which is normally below that of the applicable end item, and the failure of which should result in retirement of the end item from the supply system.
X1	Applied to repair parts which are not procured or stocked, the requirement for which will be supplied by use of the next higher assembly or components.
X2	Applied to repair parts which are not stocked. The indicated maintenance category requiring such repair parts will attempt to obtain them through cannibalization; if not obtainable through cannibalization, such repair parts will be



for a 30-day period for the number of equipments supported.

(3) Determination of the total quantity of parts required for maintenance of more than 10( of these equipments can be accomplished by converting the equipment quantity to a decimal factor by placing a decimal point before the next to last digit of the number to indicate hundredths, and multiplying the decimal factor by the parts quantity authorized in the 51-100 allowance column. Example, authorized allowance for 51-100 equipments is 40; for 150 equipments multiply 40 by 1.50 or 60 parts required.

*h. One-Year Allowance Per 100 Equipments/Contingency Planning Purposes.* Indicates opposite the first appearance of each item the total quantity required for distribution and contingency planning purposes. The range of items indicates total quantities of all authorized items required to provide for adequate support of 100 equipments for one year.

*i. Depot Maintenance Allowance Per 100 Equipments.* Indicates opposite the first appearance of each item the total quantity authorized for depot maintenance of 100 equipments. Subsequent appearances of the same item will have no entry in this column, but will have in the description column a reference to the first appearance of the item. Items authorized for use but not for initial stockage are identified with an asterisk in the allowance column.

*j. Illustration.*

(1) *Figure number.* Indicates the figure number of the illustration in which the item is shown.

(2) *Item number.* Indicates the callout number used to reference the item in the illustration.

#### 4. Special Information

a. Identification of the usable on codes included in column (2) of section II and column (3) of sections III and IV of this publication are:

<i>Code</i>	<i>Used On</i>
A .....	Model 3800219
B .....	Model 3800219-1

Items not coded are applicable to both models.

b. Repair parts mortality has been based on 1,200 hours of operation per year.

c. Parts which require manufacturer or assembly at a category higher than that authorized for installation will indicate in the source column the higher category.

d. The following publications pertain to the compressor and its components:

TM 5-4310-226-15	Operator, Organizational, D,S', G,S', and Depot Maintenance
LO 5-4310-226-12	Lubrication Order

#### 5. How to Locate Repair Parts

a. When Federal stock number or reference number is unknown:

(1) *First.* Using the table of contents, determine the functional group or subgroup within which the repair part belongs. This will refer to a page in the parts listing.

(2) *Second.* The illustration column of the page refers to a figure number.

(3) *Third.* Locate the figure and identify the repair parts, noting the item number.

(4) *Fourth.* Refer back to the page of the parts listing. Find the item number in the illustration column that corresponds with the figure number.

b. When Federal stock number or reference number is known:

(1) *First.* Using the index or Federal stock numbers and reference numbers, find the pertinent Federal stock number or reference number. This index is in ascending alphanumeric sequence cross-referenced to an index number.

(2) *Second.* Using the repair part listing, find the index number referenced in the index of Federal stock numbers and reference numbers.

#### 6. Abbreviations

ea.....	each
No. ....	number
in .....	inch
thds .....	threads

#### 7. Federal Supply Codes for Manufacturers

<i>Code</i>	<i>Manufacturer</i>
00165.....	Crippin Machine and Tool Co. Inc.
00166.....	Eaton Stamping Co.
00818.....	Phelon, R. E. Co. Inc:
02615.....	Nylok Corp.
02660.....	Amphenol-Borg Electronics Corp.
03038.....	Long-Lox Corp.
04255.....	Weatherhead Co.
06370.....	Fike Metal Products Corp.
06840.....	Bendix Corp., The
09523.....	Parker-Hannifin Corp.
10989.....	Mectron Industries, Inc.
11583.....	Champion Spark Plug Co.
28968.....	Hoke Inc.
34199.....	Kohler Company
43334.....	New Departure Div. General Motors Corp.
45681.....	Parker-Hannifin Corp.
53477.....	A. Schedulers and Son

<i>Code</i>	<i>Manufacturer</i>
56878.....	Standard Pressed Steel Co.
58563.....	Superior Valve and Fitting Co.
60038.....	Timken Roller Bearing Co.
60380.....	The Torrington Co.
61349.....	United States Gauge Div of Ametek
78189.....	Shakeproof, Div. of Illinois Tool Works
78385.....	South Wind, Div. of Steward Warner Corp.
78480.....	Tillotson Manufacturing Co.
79470.....	The Weatherhead Co.
80201.....	Chicago Rawhide Manufacturing Co.
82224.....	John Hassall Inc.
88041.....	Air Corps Standards under Custodianship of the Air Force
88044.....	Aeronautical Standards Group Dept of Navy and Air Force
90626.....	Clippard Instrument Laboratory, Inc.

91816.....	Circle Seal Products Co., Inc.
94124.....	Linde, Div. of Union Carbide Corp.
94189.....	Dico Co.
96906.....	Military Standards Promulgated by Standardization Div Directorate of Logistic Services DSA

**8. Recommendations for Maintenance Manual Improvements**

Report of errors, omissions, and recommendations for improving this manual by the individual user is encouraged. Reports should be submitted on a DA Form 2028 (Recommended Changes to DA Publications) and forwarded direct to Commanding General, U. S. Army Mobility Equipment Command, ATTN: AMSME-MPP, 4300 Goodfellow Boulevard, St. Louis, Mo. 63120.



Section II.

PRESCRIBED LOAD ALLOWANCE

(1) Federal stock number	(2) Description	(3) 15-Day org maint. alw			
		useable on code	(A) 1-5	(B) 6-20	(C) 21-50
	GROUP 01 - ENGINE				
	0107 - ENGINE STARTING SYSTEM				
	CORD, NYLON			2	4
	(00166) 110-129			2	
	GROUP 03 - FUEL SYSTEM				
	0302 - FUEL SYSTEM				
2910-083-9244	PUMP, ASSEMBLY, FUEL			2	2
	(34199) A231796				
	0304 - AIR CLEANER				
2940-083-9245	ELEMENT			2	4
	(34199) 232804			2	
	0309 - FUEL FILTERS				
2910-076-1388	BOWL, GLASS			2	2
	(00165) 830 - 2B				
5330-081-6400	GASKET	2	2	4	8
	(00165) 830 - 10A				
2910-358-5327	SCREEN				2
	(00165) 830 - S				
	GROUP 06 - ELECTRICAL SYSTEM				
	0605 - IGNITION COMPONENTS				
2920-564-2508	BREAKER ASSEMBLY			2	4
	(34199) A220474			2	
5910-780-8781	CONDENSER			2	4
	(00818) FG6548				
2920-288-3126	PLUG, SPARK	2	2	4	8
	(11583) XMJ14				
	GROUP 50 - PNEUMATIC EQUIPMENT				
	5006 - LUBRICATION SYSTEM				
4310-296-9396	GASKET, SIGHT INDICATOR				2
	(78385) 3750465				
	5008 - AIR INTAKE				
4310-992-5750	FILTER, INTAKE				2
	(78385) 3590152				
	5009 - UNLOADER SYSTEM COMPONENTS				
1650-252-0593	ELEMENT, FILTER: hydraulic line			2	4
	(88044) AN6235 - 1A			2	
1650-576-9420	GASKET: tube fitting			2	8
	(78385) 130A0432			2	
4310-574-7714	KIT, DEHYDRATOR	2	10	21	42
	(78385) 4459-0104				
4310-097-9832	KIT, SEPARATOR			2	2
	(78385) 4459-0105				
5330-752-8727	PACKING, PREFORMED			2	4
	(96906) MS29561-228			2	
4440-888-8560	RING, BACK UP, PACKING			2	2
	(78385) 3370525				
5330-186-4947	RING, BACK UP, TUBE GASKET			2	4
	(96906) MS28777-4			2	

(1)	(2)	(3) DESCRIPTION	(4)	(5)	(6) 15-DAY ORGANIZATIONAL MAINTENANCE ALW				(7) ILLUS- TRATION	
					(a)	(b)	(c)	(d)	(a)	(b)
					1-5	6-20	21-50	51-100	FIG NO.	ITEM NO.
		<b>REF NUMBER &amp; MFR CODE</b>	<b>USABLE ON CODE</b>							
00001		SECTION IV - REPAIR PARTS FOR ORGANIZATIONAL MAINTENANCE								
00002		GROUP 01 - ENGINE								
00003		0100 - ENGINE ASSEMBLY								
P O 00005	2815-086-2436	KIT, GASKET: ENGINE OVERHAUL (34199) 231706	EA	1	*	*	*	*		
X1 00006	2940-585-1494	GASKET: AIR CLEANER BASE MTG (34199) 220537	EA	1	SEE GRP	0304				
X1 00007		GASKET: BEARING PLATE (34199) 230112	EA	2	SEE GRP	0102				
X1 00008	2920-573-9992	GASKET: BREAKER COVER (34199) 220174	EA	1	SEE GR P	0605				
X1 00009	2910-562-1149	GASKET: CARBURETOR MTG (34199) 210223	EA	2	SEE GRP	0301				
X1 00010		GASKET: CYLINDER HEAD (34199) 230024	EA	1	SEE GRP	0101				
X1 00011		GASKET: FUEL PUMP MTG (34199) 240281	EA	1	SEE GRP	0302				
X1 00012		GASKET: MUFFLER MTG (34199) 231090	EA	1	SEE GRP	0401				
X1 00013	2805-544-0741	GASKET: OIL PAN MTG (34199) 230057	EA	1	SEE GRP	0106				
X1 00014	2805-544-0740	GASKET: VALVE COVER (34199) 230048	EA	2	SEE GRP	0105				
X1 00015	5340-531-7238	SEAL: BREATHER (34199) 230046	EA	1	SEE GRP	0106				
X1 00016		SEAL, OIL: BEARING PLATE (34199) X583 - 1	EA	1	SEE GRP	0102				
X1 00017		SEAL, OIL: REAR ADAPTER PLATE (34199) X583 - 2	EA	1	SEE GRP	0102				
00021		0101 - CRANKCASE, BLOCK, CYLINDER HEAD								
X20 00022		BAFFLE: CYLINDER (34199) 230054	EA	1					1	8
X1 00027	2805-544-0724	GASKET: CYLINDER HEAD (34199) 230024 (COMPONENT OF KIT, GASKET, STOCK NO. (34199) 230024, SEE GROUP 0100)	EA	1					1	10
P20 00028	2805-607-6456	HEAD, CYLINDER (34199) 230402	EA	1	*	*	*	*	1	9
X20 00029		PLUG, EXPANSION: BLOCK (34199) X230 - 11	EA	1					4	4
O 00030		SCREW, CAP, HEXAGON HEAD: BAFFLE PLATE, 1/4 X 3/4 IN. LG, NO. 20 THD SIZE (96906) MS35297 - 59	EA	1					2	15
O 00031		SCREW, CAP, HEXAGON HEAD: CYLINDER BAFFLE MTG, 1/4 - 20 THD SIZE, 3/8 IN. LG (34199) X132 - 1	EA	2					1	7

(1)	(2)	(3) <b>DESCRIPTION</b>	(4)	(5)	(6) 15-DAY ORGANIZATIONAL MAINTENANCE ALW				(7) ILLUS- TRATION	
					(a)	(b)	(c)	(d)	(a)	(b)
					1-5	6-20	21-50	51-100	FIG NO.	ITEM NO.
X20 00032	2805-574-0001	SCREW, CAP, HEXAGON HEAD: CYLINDER HEAD MTG, 5/16 - 18 THD SIZE, 1 1/2 IN, LG (34199) 230175	EA	6					1	6
O 00033		SCREW CAP HEXAGON HEAD: BAFFLE 1/4 x 3/4 No. 20 THD (34199) X134 - 1	EA	1					1	4
X20 00034		SPACER, BAFFLE PLATE (78385) 3800164	EA	1					2	13
O 00035	5310-595-7237	WASHER LOCK: BAFFLE PLATE MTG INTERNAL TOOTH; .384 ID, .670 OD, .040 IN. THK, CHROMATE (96906) MS35333-42	EA	1					2	14
O 00036	5310-778-0261	WASHER, LOCK: CYLINDER HEAD MTG 5/16 IN. SCREW SIZE (34199) 220534	EA	6					1	5
00037		O102 - CRANKSHAFT								
O 00041	5315-023-7705	KEY, MACHINE: FLYWHEEL TO SHAT (34199) X286 - 10	EA	1					1	50
00050		0103 - FLYWHEEL ASSEMBLY								
X20 00051		FLYWHEEL, ENGINE (34199) 231638	EA	1					1	63
O 00052		NUT, PLAIN, HEXAGON: FLYWHEEL MTG, 1/2 IN., No. 20 NF THD (34199) X85 - 1	EA	1					1	65
O 00053		WASHER, LOCK: FLYWHEEL MTG 1/2 IN. (34199) X24 - 2	EA	1					1	64
00067		0105 - VALVES, CAMSHAFTS AND TIMING SYSTEM								
X20 00069		COVER ASSEMBLY (34199) A230774	EA	1					1	22
X1 00070	2805-544-0740	GASKET, VALVE COVER (31499) 230048 (COMPONENT OF KIT, GASKET, STOCK NO. (34199) 230048 SEE Group 0100)	EA	2					1	18
O 00074	5310-584-5005	NUT, PLAIN, HEXAGON: COVER MTG 1/4 - 20 THD SIZE (34199) X81-1	EA	2					1	24
X20 00082		STUD: COVER MTG, 1/4 x 1 1/2 LG, NO. 20 THD (34199) 230043	EA	1					1	17
O 00087	5310-543-2705	WASHER, LOCK: COVER MTG, .375 ID x .688 OD x .094 THK (34199) X20 - 1	EA	1					1	23
00088		0106 - ENGINE LUBRICATION SYSTEM								
X20 00089	2805-507-1163	BREATHER ASSEMBLY (34199) A230066	EA	1					1	19

(1)	(2)	(3) <b>DESCRIPTION</b>	(4)	(5)	(6) 15-DAY ORGANIZATIONAL MAINTENANCE ALW				(7) ILLUS- TRATION	
					(a)	(b)	(c)	(d)	(a)	(b)
					1-5	6-20	21-50	51-100	FIG NO.	ITEM NO.
X20 00090		DIPSTICK, OIL (34199) A231496	EA	1					2	4
X20 00091	4730-585-6552	ELBOW: DIPSTICK OIL LINE (88044) AN916 - 4C	EA	1					2	6
P O 00092	4330-907-9650	FILTER: OIL (34199) 231419	EA	1	*	*	*	*	1	21
O 00094		NIPPLE PIPE: DIPSTICK OIL LINE (78385) 628-0050-55	EA	2					2	5
X20 00096		PIPE, EXTENSION: DIPSTICK (78385) 628-0054	EA	1					2	3
O 00097	4730-555-9372	PLUG, PIPE: DIPSTICK OIL LINE DRAIN (96906) MS20913-4CR	EA	1					2	1
X20 00098		PLUG, PIPE: OIL DRAIN, 1/2 IN. PIPE THREAD (34199) X75-28	EA	1					1	71
X1 00100	5340-531-7238	SEAL BREATHER (34199) 230046 (COMPONENT OF KIT, GASKET STOCK NO. (34199) 231706 SEE GROUP 0100)	EA	1					1	20
O 00101	4730-287-3698	TEE: DIPSTICK OIL LINE, INTERNAL THD (88044) AN917-4C	EA	1					2	2
00102		0107 - ENGINE STARTING SYSTEM								
X20 00103		CUP, DRIVE: STARTER (34199) A231644	EA	1					3	1
O 00104		SCREW, MACHINE: STARTER MTG, ROUND HEAD, 10-24 THD SIZE, 1 3/4 IN. LG (34199) X136-2	EA	5					1	67
P O 00105	2990-083-9094	STARTER ASSEMBLY (00166) 504-500	EA	1					1	68
X20 00106		BRAKE: STARTER (00166) 112-18	EA	1					3	7
P O 00107		CORD, NYLON (00166) 110-129	EA	1	*	2	2	4	3	12
X20 00108		DOG, STARTER (00166) 494-50	EA	3					3	14
P O 00109	2990-083-9243	HANDLE ASSEMBLY (00166) 110-209	EA	1	*	*	*	*	3	13
X20 00110		HOUSING ASSEMBLY (00166) 504-100	EA	1					3	11
X20 00111		PULLEY, STARTER (00166) 504-2	EA	1					3	9
X20 00112		RETAINER, STARTER (00166) 504-4	EA	1					3	5
O 00113		SCREW, MACHINE: RETAINER MTG, 3/8 x 1 3/4 NC THD SIZE (34199) 231683	EA	1					3	2
X1 00114		SHEAVE, STARTER (00166) 110 - 121	EA	1						

(1)	(2)	(3) <b>DESCRIPTION</b>	(4)	(5)	(6) 15-DAY ORGANIZATIONAL MAINTENANCE ALW				(7) ILLUS- TRATION	
					(a)	(b)	(c)	(d)	(a)	(b)
					1-5	6-20	21-50	51-100	FIG NO.	ITEM NO.
REF NUMBER & MFR CODE		USABLE ON CODE								
P O 00115	2990-083-9317	SPRING, RETAINER (00116) 504 - 7	EA	1	*	*	*	*	3	6
P O 00116	2990-083-9096	SPRING, RECOIL (00116) 110 - 68	EA	1	*	*	*	*	3	10
O 00117		WASHER, FLAT: FOR 3/8 SCREW (00166) 112 - 68	EA	1					3	4
O 00118		WASHER, FLAT: FOR 3/8 SCREW (00166) 502 - 19	EA-	1					3	3
X20 00119		WASHER, THRUST: 3/8 ID x 1 1/4 OUTSIDE DIAMETER (00166) 502 - 15	EA	1					3	8
00120		GROUP 03 - FUEL SYSTEM								
00121		0301 - CARBURETOR								
P O R 00122	2910-781-5777	CARBURETOR ASSEMBLY (78480) E12A (INCLUDES COMPONENTS OF KIT, STOCK NO. 2910-633-4069)	EA	1	*	*	*	*	4	19
X20 00123		ELBOW: CARBURETOR TO BLOCK (34199) 231585	EA	1					4	21
X1 00124	2910-562-1149	GASKET: CARBURETOR MTG (34199) 210223 (COMPONENT OF KIT, GASKET, STOCK NO. (34199) 231706, SEE GROUP 0100)	EA	1					4	20
O 00135		SCREW, CAP, HEXAGON HEAD: CARBURETOR MTG, 1/4 x 1/2, NO. 20 THD (34199) X132 - 5	EA	2					4	36
O 00136		SCREW, MACHINE: ELBOW TO BLOCK, 1/4 x 3/4 LG, NO. 20 THD (34199) X132-5	EA	2					4	36
00138		0302 - FUEL PUMP								
X1 00139	2910-544-0807	GASKET: FUEL, PUMP MTG (34199) 240281 (COMPONENT OF KIT, GASKET, STOCK NO. (34199) 240281, SEE GROUP 0100)	EA	1					4	32
P O 00140	2910-083-9244	PUMP, ASSEMBLY: FUEL (34199) A231796	EA	1	*	*	2	2	4	33
O 00141		SCREW, MACHINE: 1/4 x 5/8, NO. 20 THD (34199) X161 - 1	EA	2					4	35
00142		0304 - AIR CLEANER								
X20 00143		BASE, CLEANER (34199) 231576	EA	1					4	14
X20 00144		DECAL (34199) 231578	EA	1						
P O 00145	2940-083-9245	ELEMENT, CLEANER (34199) 232804	EA	1	*	2	2	4	4	18

(1)	(2)	(3) <b>DESCRIPTION</b>	(4)	(5)	(6) 15-DAY ORGANIZATIONAL MAINTENANCE ALW				(7) ILLUS- TRATION	
					(a)	(b)	(c)	(d)	(a)	(b)
					1-5	6-20	21-50	51-100	FIG NO.	ITEM NO.
X1 00146	2940-585-1494	GASKET: AIR CLEANER BASE MTG (34199) 220537 (COMPONENT OF KIT, GASKET, STOCK NO. (34199) 231706, SEE GROUP 0100)	EA	1					4	13
O 00147		NUT, WING (34199) X276 - 4	EA	1					4	17
O 00148		SCREW, MACHINE: AIR CLEANER MTG, NO. 10-32 THD SIZE, 3/8 IN. LG (34199) X150 - 2	EA	2					4	16
O 00149		WASHER, LOCK: AIR CLEANER MTG, NO. 10 SCREW SIZE (34199) X19-1	EA	2					4	15
00150		0306 - TANKS, LINES, FITTINGS								
X20 00151		BRACKET: TANK SUPPORT (78385) 407-0221	EA	2					5	8
X20 00152	5340-205-6301	CLAMP: FUEL LINE (96906) MS21919DG4	EA	7					5	5
P O 00153	4820-275-2226	COCK, DRAIN: FUEL LINE (79470) 150	EA	1	*	*	*	*	5	15
X20 00154		CONNECTOR: FUEL LINE TO TEE (45681) 628-0056	EA	1					5	17
X20 00155		ELBOW, FLARED: FUEL LINE TO PUMP (34199) X447-10	EA	1					4	34
X20 00156		ELBOW: FUEL LINE TO FILTER (09523) 4CB12B	EA	1					5	19
X20 00157		ELBOW, HOSE: HOSE TO FUEL PUMP (34199) X439-1	EA	1					4	11
X20 00158		LINE, FLEXIBLE, FUEL: FUEL PUMP TO CARBURETOR (34199) X386-19	EA	1					4	12
O 00159		NIPPLE, PIPE: FILTER TO TANK (45681) 628-0057	EA	1					5	25
X20 00160		NUT, CLINCH: TANK MTG, 1/4 x 1 1/4 SCREW (78385) 648-0064	EA	6					5	10
O 00161	5310-584-5005	NUT, PLAIN, HEXAGON: STUD MTG, 1/4-20 THD SIZE, CHROMATE (96906) MS35690-405	EA	50					5	14
O 00162		SCREW, MACHINE: TANK MTG, PAN HEAD 1/4 X 1 1/4-28 IN. THDS (96906) MS35224-84	EA	2					5	9
X20 00163		STUD: TEE MTG, 3/4 IN. x 3/4 - 20 THD SIZE (09523) 628-0007	EA	1					5	12
X20 00164		TANK ASSEMBLY (78385) 4457-0012	EA	1					5	7
P O 00165	2910-605-1353	CAP ASSEMBLY, TANK (78385) 408-0167	EA	1	*	*	*	*	5	4
X1 00166		CHAIN: CAP TO TANK, BRASS, NO. 10, 6 IN. LG (78385) COML	EA	1					5	1
X20 00167		GROMMET, TANK FILLER (78385) 448 - 0492	EA	1					5	27
O 00168		RIVET, BLIND: CHAIN TO CAP AND TO TANK (78385) 648-0042-10	EA	9					5	3

(1)	(2)	(3) <b>DESCRIPTION</b>	(4)	(5)	(6) 15-DAY ORGANIZATIONAL MAINTENANCE ALW				(7) ILLUS- TRATION	
					(a)	(b)	(c)	(d)	(a)	(b)
					1-5	6-20	21-50	51-100	FIG NO.	ITEM NO.
O 00169	5310-194-1548	WASHER, FLAT: CHAIN TO TANK AND CAP, 1/8 IN. HOLE (96906) MS15795-205	EA	1					5	2
X20 00170		TEE, FEMALE: TANK LINE TO STREET TEE (45681) 628-0055	EA	1					5	11
X20 00171		TEE, STREET: FEMALE TEE TO CONNECTOR (04255) 628-0058	EA	1					5	16
P20 00172	2910-083-9260	TUBE, ASSEMBLY: SHUTOFF VALVE TO ENGINE (78385) 4428-0199	EA	1	*	*	*	*	5	6
X20 00173		TUBE ASSEMBLY: TANK TO SHUTOFF VALVE (78385) 428-0309	EA	1					5	18
O 00174	5310-582-5965	WASHER, LOCK: STUD MTG, .250 ID, .493 OD, .062 THK (96906) MS35338 - 44	EA	13					5	13
00175		0308 - ENGINE SPEED GOVERNOR AND CONTROLS								
X20 00177		BRACKET: SPEED CONTROL (34199) 230477	EA	1					4	29
X20 00181		LEVER: GOVERNOR SPEED (34199) 232616	EA	1					4	23
X20 00182		LINKAGE: GOVERNOR (34199) 231581	EA	1					4	22
O 00183	5310-584-5005	NUT, PLAIN, HEXAGON: LEVER SCREW, 1/4 - 20 THD SIZE, CHROMATE (34199) X81-1	EA	1					4	25
X20 00184		PIN, STOP: GOVERNOR (34199) 231355	EA	1					4	39
O 00185		SCREW, CAP, HEXAGON HEAD: GOVERNOR SPEED LEVER, 1/4 - 20 THD SIZE, 1 IN. LG (34199) X5-7	EA	1					4	37
P O 00187	2990-083-9296	SPRING, GOVERNOR (34199) 232618	EA	1	*	*	*	*	4	26
O 00190		WASHER, FLAT: LEVER SCREW, 1/4 IN, SCREW SIZE (34199) X25-72	EA	2					4	24
O 00191		WASHER, FLAT: STOP, PIN, 1/4 FLAT WASHER (34199) X25-12	EA	1					4	31
00192		0309 - FUEL FILTERS								
P O 00193	2910-099-5639	FILTER ASSEMBLY: FUEL (00165) 830	EA	1	*	*	*	*		
X20 00194		BAIL ASSEMBLY (00165) 830-3B	EA	1					5	20
P O 00195	2910-076-1388	BOWL, GLASS (00165) 830-2B	EA	1	*	*	2	2	5	21
P O 00196	5330-081-6400	GASKET, BOWL (00165) 830-10A	EA	1	2	2	4	8	5	22

(1)	(2)	(3) <b>DESCRIPTION</b>	(4)	(5)	(6) 15-DAY ORGANIZATIONAL MAINTENANCE ALW				(7) ILLUS- TRATION		
					(a)	(b)	(c)	(d)	(a)	(b)	
					1-5	6-20	21-50	51-100	FIG NO.	ITEM NO.	
REF NUMBER & MFR CODE		USABLE ON CODE									
PO 00197	2910-358-5327	SCREEN, FILTER (00165) 830S	EA	1	*	*	*	2	5	23	
X20 00198		TOP, FILTER (00165) 830-1	EA	1					5	24	
X20 00199		VALVE ASSEMBLY (00165) 830-6-7-8	EA	1					5	26	
00200		0312 - THROTTLE OR CHOKE CONTROL									
X20 00201		CLIP CABLE (34199) 210149	EA	1					4	1	
X20 00202		CONTROL ASSEMBLY: GOVERNOR (34199) 230326-2	EA	1					4	9	
O 00203		NUT, PLAIN, HEXAGON 1/4 - 20 THD SIZE (34199) X72 - 4	EA	1					4	3	
X20 00204		SCREW: CONTROL MTG, 1/4 x 1 IN. LG (34199) X67-3	EA	1					4	10	
O 00205		SCREW, MACHINE:: CLIP MTG, 3/16 x 1/2 NF THD (34199) X15 - 12	EA	1					4	28	
O 00206		WASHER, LOCK: CLIP MTG, 1/4 IN. (34199) X18 - 2	EA	1					4	2	
00207		GROUP 04 - EXHAUST SYSTEM									
00208		0401 - MUFFLER AND PIPES									
X1 00209		GASKET: MUFFLER MTG (34199) 231090 (COMPONENT OF KIT, GASKET, STOCK NO. (34199) 231090 SEE GROUP 0100)	EA	1					1	40	
P O 00210		2990-083-9297	MUFFLER, EXHAUST (34199) A230943	EA	1	*	*	*	*	1	36
O 00211	NUT, PLAIN, HEXAGON: MUFFLER MTG, 5/16 - 18 THD SIZE (34199) X82 - 2		EA	2					1	39	
X20 00212	STUD, PLAIN: MUFFLER MTG, 5/16 x 2 IN, LG NC THD SIZE (34199) 230909		EA	2					1	41	
00213	GROUP 05 - COOLING SYSTEM										
00214	0502 - COWLING, DEFLECTORS, AIR DUCTS, SHROUDS										
X20 00215	BAFFLE: CYLINDER HEAD (34199) 230049		EA	1					1	1	
X20 00216	BAFFLE: SIDE AIR (34199) 230757		EA	1					1	69	
X20 00217	HOUSING, BLOWER (34199) 232695		EA	1					1	66	
X20 00218	PLATE, BAFFLE (78385) 300159		EA	1					2	7	
O 00219	SCREW, CAP, HEXAGON HEAD: SIDE AIR BAFFLE MTG, 1/4 - 20 THD SIZE, 3/4 IN. LG (34199) X132-2		EA	4					1	70	



(1)	(2)	(3) DESCRIPTION	(4)	(5)	(6) 15-DAY ORGANIZATIONAL MAINTENANCE ALW				(7) ILLUS- TRATION	
					(a)	(b)	(c)	(d)	(a)	(b)
					1-5	6-20	21-50	51-100	FIG NO.	ITEM NO.
		REF NUMBER & MFR CODE	USABLE ON CODE							
00220		GROUP 06 - ELECTRICAL SYSTEM								
00221		0605 - IGNITION COMPONENTS								
P O 00222	2920-564-2508	BREAKER ASSEMBLY (34199) A220474	EA	1	*	2	2	4	1	31
X1 00223		BRACKET, BREAKER (34199) 220476	EA	1						
X1 00223A	2920-580-9265	POINTS (34199) 220475	EA	1						
X1 00224		SCREW, MACHINE:: BREAKER POINTS (34199) X155 - 1	EA	1						
P O 00225	5935-919-5930	CABLE, SPARK PLUG (34199) A231408	EA	1	*	*	*	*	1	3
P O 00226	2920-023-5167	COIL, IGNITION (00818) FG6547	EA	1	*	*	*	*	1	55
P O 00227	5910-780-8781	CONDENSER, IGNITION (00818) FG6548	EA	1	*	2	2	4	1	54
P O 00228	2920-608-0079	COVER ASSEMBLY: BREAKER (34199) A220136	EA	1	*	*	*	*	1	33
X1 00229	2920-573-9992	GASKET: BREAKER COVER (34199) 221074 (COMPONENT OF KIT, GASKET, STOCK NO. (34199) 220174 SEE GROUP 0100)	EA	1					1	29
P O 00231	2920-288-3126	PLUG, SPARK (11583) XMJ14	EA	1	2	2	4	8	1	2
X20 00233		ROTOR, MAGNETO (00818) F5215	EA	1					1	61
O 00235		SCREW, MACHINE:: BREAKER COVER MTG No. 10 - 24 THD SIZE, 3/8 IN. LG (34199) X131-1	EA	4					1	34
X20 00236		SLEEVE (34199) 230334	EA	1						
X20 00237		STATOR ASSEMBLY (00818) FG5221	EA	1						
X20 00238	5310-043-1702	WASHER, TENSION: MOTOR, 1/4 IN. (34199) 230148	EA	1					1	62
00239		0607 - INSTRUMENT OR ENGINE CONTROL PANEL								
O 00240		NUT, SELF-LOCKING: CLAMP AND PANEL MTG, 1/4 x 5/8, NO. 20 THD SIZE (96906) MS20365-10320	EA	13					9	17
O 00241		NUT, SELF-LOCKING: RECEPTACLE MTG, 1/4 x 3/4, NO. 20 THD SIZE (96906) MS20365-4400	EA	4					9	27
X20 00242		PANEL ASSEMBLY (78385) 4457-0013	EA	1						
X20 00243		RECEPTACLE, PANEL (02660) 690R10SL4P	EA	1					9	25
O 00244	5305-622-1509	SCREW, MACHINE: PANEL MTG, PAN HEAD, 1/4 x 3/4 NO. 20 THD SIZE (96906) MS35224-63	EA	11					9	24

(1)	(2)	(3) <b>DESCRIPTION</b>	(4)	(5)	(6) 15-DAY ORGANIZATIONAL MAINTENANCE ALW				(7) ILLUS- TRATION	
					(a)	(b)	(c)	(d)	(a)	(b)
					1-5	6-20	21-50	51-100	FIG NO.	ITEM NO.
REF NUMBER & MFR CODE		USABLE ON CODE								
O 00245	5305-543-5743	SCREW, MACHINE: PANEL MTG, PAN HEAD, 3/4-32 NF THD SIZE CHROMATE (96906) MS35224-65	EA	1					9	18
O 00246	5305-638-3438	SCREW, MACHINE: RECEPTACLE MTG, PAN HEAD, 1/4 x 1, No. 20 THD SIZE (96906) MS35223-15	EA	4					9	28
00247		GROUP 11 - REAR AXLE								
00248		1100 - REAR AXLE ASSEMBLY								
O 00249	5310-584-5005	NUT, PLAIN, HEXAGON: AXLE U-BOLT, 1/4-20 THD SIZE, CHROMATE (96906) MS35690-405	EA	4					6	2
X20 00250		SHAFT, AXLE: TRAILER (78385) 412-0094	EA	1					6	6
X20 00251		SPACER: AXLE MTG (78385) 430-0090	EA	2					6	4
X20 00252		SPACER, RUBBER: AXLE MTG (78385) 430-0097	EA	1					6	4
X20 00253		U-BOLT: AXLE MTG (78385) 648-0066	EA	2					6	39
O 00254	5310-582-5965	WASHER, LOCK: AXLE MTG, .250 ID x .493 OD x .062 THK (96906) M35338-44	EA	13					6	3
00255		GROUP 12 - BRAKES								
00256		1206 - RODS, SHAFT, SPRINGS, PEDAL								
X20 00257		FOOT, LANDING: BRAKE (78385) 417-0063	EA	1					6	26
X20 00258		LEVER, BRAKE: YOKE TO SHAFT (78385) 407-0201	EA	2					6	21
X20 00259		LINK ASSEMBLY: FOOT TO PEDAL (78385) 4417-0014	EA	1					6	25
O 00260	5310-012-0368	NUT, PLAIN, HEXAGON: BRAKE ROD 5/16 FINE THD (96906) MS35690-525	EA	2					6	41
X20 00261		PEDAL ASSEMBLY: BRAKE (78385) 4460-0002	EA	1					6	33
O 00262		PIN, COTTER: YOKE PIN RETAINING (88044) AN381-3-8	EA	4					6	18
O 00263		PIN, SPRING: BRAKE LEVER (96906) MS171534	EA	2					6	20
O 00264		PIN, SPRING: BRAKE SHOE (96906) MS171650	EA	2					6	5
O 00265		PIN, SPRING: FOOT (96906) MS171592	EA	1					6	31
O 00266		PIN, STRAIGHT, HEADLESS: PEDAL TO SUPPORT (78385) 448-0496	EA	1					6	34
O 00267		PIN, STRAIGHT, HEADLESS: FOOT TO PEDAL (78385) 448-0497	EA	1					6	32

(1)	(2)	(3) <b>DESCRIPTION</b>	(4)	(5)	(6) 15-DAY ORGANIZATIONAL MAINTENANCE ALW				(7) ILLUS- TRATION		
					(a)	(b)	(c)	(d)	(a)	(b)	
					1-5	6-20	21-50	51-100	FIG NO.	ITEM NO.	
X20 00268	5340-282-1633	RING, RETAINING: PEDAL TO SUPPORT PIN RETAINING (96906) MS16633-1018	EA	2					6	23	
X20 00269	5340-721-7680	RING, RETAINING: PIN (96906) MS16633-1025	EA	4					6	24	
X20 00270		ROD, BRAKE: YOKE TO YOKE (78385) 407-0207	EA	2					6	42	
O 00271		SCREW, CAP, HEXAGON HEAD: SUPPORT TO CHASSIS, 3/8 x 3/4 NC THD SIZE (96906) MS35298-6	EA	1					6	35	
X20 00272		SHAFT, BRAKE (78385) 412-0095	EA	1					6	22	
X20 00273		SHOE, BRAKE (78385) 4407-0038	EA	2					6	10	
X20 00274		SPRING, BRAKE (78385) 425-0128	EA	2					6	43	
X20 00275		YOKE, BRAKE: ROD TO LEVER (78385) 407-0232	EA	2					6	17	
X20 00276		YOKE, BRAKE: ROD TO SHOE (78385) 607-0003	EA	2					6	40	
00277		GROUP 13 - WHEELS									
00278		1311 - WHEEL ASSEMBLY									
X20 00279	5315-845-7787	NUT, CASTELLATED: WHEEL TO AXLE, 3/4-16 NF THD SIZE (78385) 448-0473	EA	2					6	12	
O 00280		PIN, COTTER: NUT RETAINING, 3/32 DIA, 1 1/2 LG, CADMIUM PLATE (88044) AN380-3-6	EA	2					6	14	
X20 00281		5340-282-0814	RING, RETAINING: BACKUP PACER (96906) MS16633-75	EA	2					6	7
X20 00282		SPACER, BACKUP: BEARING (78385) 430-0090	EA	2						6	8
O 00283		5310-543-4890	WASHER, FLAT: WHEEL TO AXLE, 3/4 FLAT (96906) MS15795-222	EA	2					6	11
X20 00284		WHEEL ASSEMBLY (94189) 801073132	EA	2						6	9
X20 00285		CAP, DUST (94189) 3477	EA	2						6	13
X1 00286		CLOSURE, CAP (94189) 3480	EA	2							
X1 00287		CONE, BEARING (60038) LM11949	EA	4							
X1 00288		CUP, BEARING (60038) LM11910	EA	4							
X20 00289	DISC, WHEEL (94189) 3282	EA	2								
X20 00290	HUB, WHEEL (94189) 3741	EA	2								
X20 00291	RIM, WHEEL (94189) 1307	EA	2								

(1)	(2)	(3) <b>DESCRIPTION</b>	(4)	(5)	(6) 15-DAY ORGANIZATIONAL MAINTENANCE ALW				(7) ILLUS- TRATION		
					(a)	(b)	(c)	(d)	(a)	(b)	
					1-5	6-20	21-50	51-100	FIG NO.	ITEM NO.	
X1 00292		WHEEL, HALF (94189) 3753		EA	2						
0293		1313 - TIRES, TUBES									
P O 00294	2610-050-9560	TIRE, PNEUMATIC (96906) MS35389-1		EA	2	*	*	*	*	6	15
P O 00295	2610-051-9114	TUBE, TIRE (96906) MS35392-48		EA	1	*	*	*	*	6	16
00296		GROUP 15 - FRAME									
00297		1501 - FRAME ASSEMBLY									
X20 00302		BRACKET ASSEMBLY: BRAKE SUPPORT MOUNTING (78385) 4407-0036		EA	2					6	19
O 00303		NUT, FLEXIBLE, LOCK: TIE DOWN RING MTG, 1/4 IN. , 20 NC (56878) 21FK518		EA	4					7	36
O 00304	5310-584-5005	NUT PLAIN, HEXAGON HEAD: BRACKET MTG, 1/4-20 THD SIZE (96906) MS35690-405		EA	4					6	2
X20 00305		RING, TIE DOWN (78385) 648-0062		EA	4					7	8
O 00306		SCREW, CAP, HEXAGON HEAD: BRACKET MTG, 1/4 x 1-20 THD SIZE (96906) MS35297-6		EA	4					6	38
X20 00309		WASHER, CUSHION: TIE DOWN RING (78385) 448-0503		EA	4					7	7
O 00310	5310-081-4219	WASHER, FLAT: TIE DOWN RING MTG, FOR 1/4 INCH SCREW (96906) MS15795-212		EA	4					7	35
F 00312	5310-582-5965	WASHER, LOCK: BRACKET MTG, .250 ID, .493 OD, .062 THICK (96906) MS35338-44		EA	4					6	3
00313		1503 - PINTLE AND TOWING ATTACHMENTS									
X20 00314		BAR, TOW (78385) 4407-0039	A	EA	1					7	25
X20 00315		BAR, TOW (78385) 4407-0068	B	EA	1					7	25
X20 00316		BRACKET, TOW (78385) 407-0218		EA	2					7	18
X20 00317		HANDLE, TOW (78385) 4407-0040		EA	1					7	27
O 00318	5310-012-0376	NUT, PLAIN, HEXAGON: TOW BAR BRACKET, 5/16-18 THD SIZE, CHROMATE (96906) MS35690-505		EA	6					7	23
X20 00319		PIN, BALL LOCK (78385) 617-0001		EA	2					7	32
X20 00320		PIN, BALL LOCK (78385) 617-0002		EA	2					7	30
X20 00321		PIN, HANDLE (78385) 417-0064		EA	2					7	34

(1)	(2)	(3) DESCRIPTION	(4)	(5)	(6) 15-DAY ORGANIZATIONAL MAINTENANCE ALW				(7) ILLUS- TRATION		
					(a)	(b)	(c)	(d)	(a)	(b)	
					1-5	6-20	21-50	51-100	FIG NO.	ITEM NO.	
X20 03322		PIN, TOW BAR (78385) 417-0065		EA	2					7	28
X20 00323	5340-256-2465	RING, RETAINING: HANDLE (96906) M16633-1037		EA	4					7	33
X20 00324	5340-442-5845	RING, RETAINING: TOW BAR (96906) MS16633-1050		EA	4					7	29
X20 00325		RIVET: BALL LOCK AND PIN (78385) 648-0042-4	A	EA	4					7	31
X20 00326		RIVET: BALL LOCK AND PIN (78385) 648-0042-10	B	EA	4					7	31
O 00327	5306-543-4308	SCREW, CAP, HEXAGON HEAD: TOW BAR BRACKET, 5/8 LG (96906) MS35297-31		EA	6					7	26
O 00328	5310-167-0721	WASHER, LOCK: TOW BAR BRACKET, INTERNAL TOOTH, .320 ID, .594 OD, .028 THK (96906) MS35333-41		EA	10					7	24
00329		1507 - SUPPORT STAND									
X20 00330		FOOT, BASE (78385) 130A0944		EA	1					6	27
O 00331		SCREW, CAP, HEXAGON HEAD: FOOT MTG, 1/4 x 3/4 NC THD SIZE (96906) MS35297-33		EA	1					6	30
O 0332	5310-407-9566	WASHER, LOCK: FOOT MTG, .319 ID, .591 OD, .078 THICK (88044) AN935-516		EA	1					6	29
X20 00333		WASHER, SPACER: FOOT MTG, (78385) 130A0977		EA	1					6	28
00334		GROUP 18 - BODY, CAB, HOOD AND HULL									
00335		1801 - BODY, CAB, HOOD									
O 00336	5306-150-9221	BOLT, MACHINE: CENTER DOOR MTG, 15/32 LG, THREADED 13/32 (88044) AN3-3A		EA	8					7	14
X20 00337		COVER ASSEMBLY: COMPRESSOR (78385) 4408-0041	A	EA	1						
X20 00338		DOOR ASSEMBLY: CENTER (78385) 4408-0042	A	EA	1					7	13
X20 00339		DOOR ASSEMBLY: CENTER (78385) 4408-0061	B	EA	2					7	13
X20 00340		DOOR ASSEMBLY: FRONT (78385) 4408-0059	B	EA	2					7	17
X20 00341		DOOR ASSEMBLY: FRONT LEFT (78385) 4408-0048	A	EA	1					7	17
X20 00342		DOOR ASSEMBLY: FRONT RIGHT (78385) 4408-0043	A	EA	1					7	17
X20 00343		DOOR ASSEMBLY: REAR (78385) 4408-0044	A	EA	1					7	1
X20 X0344		DOOR ASSEMBLY: REAR (78385) 4408-0060	A	EA	2					7	1
X20 00345		HOUSING ASSEMBLY: CENTER (78385) 4408-0057	B	EA	1					7	5

(1)	(2)	(3) <b>DESCRIPTION</b>	(4)	(5)	(6) 15-DAY ORGANIZATIONAL MAINTENANCE ALW				(7) ILLUS- TRATION		
					(a)	(b)	(c)	(d)	(a)	(b)	
					1-5	6-20	21-50	51-100	FIG NO.	ITEM NO.	
X20 00346		HOUSING ASSEMBLY: REAR (78385) 4408-0056		EA	1					7	9
X20 00347		HOUSING ASSEMBLY: FRONT (78385) 4408-0058	B	EA	1					7	2
O 00348	5310-584-5005	NUT, PLAIN, HEXAGON: COVER ASSEMBLY MTG, 1/4-20 THD SIZE, CHROMATE (96906) MS35690-405		EA	20					7	3
O 00349	5310-012-0614	NUT, PLAIN, HEXAGON: DOOR MTG, 10-32 THD SIZE (96906) MS35650-102		EA	8					7	16
O 00350	5310-584-5005	NUT, PLAIN, HEXAGON: END MTG 1/4-20 THD SIZE (96906) MS35690-405		EA	1					7	20
O 00351	5310-584-5005	NUT, PLAIN, HEXAGON: HOUSING MTG, 1/4-20 THD SIZE (96906) MS35690-405	B	EA	33					7	3
X20 00352		NUT, SPEED: CENTER HOUSING MTG (78385) 648-0080	B	EA	4					7	37
O 00353		NUT, SELF-LOCKING: SPRING MTG 1/4-20 THD SIZE (96906) MS20364-1032C		EA	16					7	11
X20 00354		PANEL, END (78385) 408-0198		EA	1					7	19
X20 00355		RIVET, BLIND: DOOR MTG (78385) 648-0042-1	B	EA	32						
X20 00356		RIVET, BLIND: DOOR MTG (78385) 648-0042-1	A	EA	16						
O 00357		SCREW, MACHINE: COVER ASSEMBLY MTG, 1/4 x 5/8 NC THD SIZE (96906) MS35223-80	A	EA	20					7	6
O 00358		SCREW, MACHINE: END PANEL MTG, PAN HEAD 1/4 x 5/8 NC THD SIZE (96906) MS35223-80		EA	1					7	22
O 00359		SCREW, MACHINE: HOUSING MTG, 1/4 x 3/4 NC THD SIZE (96906) MS35223-80	B	EA	37					7	6
O 00360	5305-622-1509	SCREW, MACHINE: SPRING MTG, 3/16 x 7/16 NC THD SIZE (96906) MS35224-63		EA	16					7	10
X20 00361		SPRING, DOOR RETAINING (78385) 625-0002		EA	4					7	12
O 00362	5310-809-3078	WASHER, FLAT: HOUSING AND COVER ASSEMBLY MTG, 3/16 FLAT (96906) MS15795-211		EA	13					7	38
O 00363	5310-550-1130	WASHER, LOCK: COVER ASSEMBLY MTG, INTERNAL TOOTH, .250 ID, .460 OD .023 THK (96906) MS35333-40	A	EA	20					7	4
O 00364		WASHER, LOCK: DOOR MTG, 3/16, FLAT (96906) MS35338-43		EA	8					7	15
O 00365	5310-550-1130	WASHER, LOCK: END PANEL MTG, INTERNAL TOOTH, .250 ID, .460 OD, .023 THK (96906) MS35333-40		EA	1					7	21
O 00366	5310-550-1130	WASHER, LOCK: HOUSING MTG, INTERNAL TOOTH, .250 ID, .460 OD, .023 THK (96906) MS35333-40	B	EA	33					7	4

(1)	(2)	(3) <b>DESCRIPTION</b>	(4)	(5)	(6) 15-DAY ORGANIZATIONAL MAINTENANCE ALW				(7) ILLUS- TRATION	
					(a)	(b)	(c)	(d)	(a)	(b)
					1-5	6-20	21-50	51-100	FIG NO.	ITEM NO.
REF NUMBER & MFR CODE		USABLE ON CODE								
00367		GROUP 22 - BODY CHASSIS OR HULL, AND ACCESSORY ITEMS								
00368		2202 - ACCESSORY ITEMS								
O 00369	4730-278-3905	BUSHING, REDUCER: NIPPLE TO SOCKET (88044) A912-1C	EA	1					16	8
P O 00370	4730-536-3486	CHUCK ASSEMBLY: AIR HOSE (53477) 4784	EA	1	*	*	*	*	16	17
X20 00371		FITTING, REDUCER: HOSE TO VALVE (78385) 3800366	EA	1					16	18
P O 00372	4720-946-8220	HOSE ASSEMBLY: NIPPLE TO FITTING (96906) MS28759E2400	EA	1	*	*	*	*	16	11
P O 00373	4720-083-8064	HOSE ASSEMBLY: VALVE TO CHUCK, 10 IN. LG (09523) 3-16-4ABZ101-4AFZS	EA	1	*	*	*	*	16	16
O 00374	4730-187-0840	NIPPLE: HOSE TO SOCKET (88044) AN816-4	EA	3					16	10
X20 00375		RETAINER: AIR HOSE TO RACK (78385) 13OD3582	EA	1					16	2
P O 00376	4730-090-9249	SOCKET, HALF COUPLING: AIR HOSE ATTACHING (78385) 407-0208	EA	1	*	*	*	*	16	9
P O 00377	4820-678-9467	VALVE, SERVICE: AIR HOSE (58553) 5669	EA	1	*	*	*	*	16	15
00378		2210 - DATA PLATES								
X20 00379		DECAL, CAUTION (78385) 434-0204	EA	1						
X20 00380		DECAL, INSTRUCTION (78385) 434-0201	EA	1						
X20 00381		DECAL, OIL: COMPRESSOR (78385) 434-0203	EA	1						
X20 00382		DECAL, SCHEMATIC (78385) 434-0200	EA	1						
X20 00383		NAMEPLATE: BACK PRESSURE VALVE (78385) 2670127	EA	1						
X20 00384		NAMEPLATE: CHECK VALVE (78385) 140A1114	EA	1						
X20 00385		NAMEPLATE: DEHYDRATOR HOSE (78385) 3370632	EA	1						
X20 00386		NAMEPLATE: FAN GUARD (78385) 3260333	EA	1						
X20 00387		NAMEPLATE: PRESSURE RELIEF VALVE (78385) 116B115	EA	2						
X20 00389		PLATE, IDENTIFICATION: COMPRESSOR (78385) 3800497	EA	1						
X20 00390		PLATE, INSTRUCTION: COMPRESSOR (78385) 434-0229	EA	1						
O 00391		RIVET: PLATE MTG (78385) 648-0042-10	EA	4						
O 00392		SCREW, DRIVE: DEHYDRATOR HOSE NAMEPLATE MTG (82224) COHL	EA	2						

(1)	(2)	(3) <b>DESCRIPTION</b>	(4)	(5)	(6) 15-DAY ORGANIZATIONAL MAINTENANCE ALW				(7) ILLUS- TRATION	
					(a)	(b)	(c)	(d)	(a)	(b)
					1-5	6-20	21-50	51-100	FIG NO.	ITEM NO.
REF NUMBER & MFR CODE		USABLE ON CODE								
O 00393	5305-253-5309	SCREW, DRIVE: PLATE MTG, NO. 2 SCREW, 1/8 IN. LG (88044) AN535-2-2	EA	6						
O 00394	5305-558-7361	SCREW, MACHINE: FAN GUARD NAMEPLATE MTG, 5/16-2A THD SIZE, CHROMATE (96906) MS35223-42	EA	3						
X20 00395		TAG, INSTRUCTION (78385) 434-0191	EA	1						
O 00396	5310-559-0070	WASHER, LOCK: NAMEPLATE MTG, .164 ID, .325 OD, .018 THK (96906) MS35333-38	EA	3						
00397		GROUP 47 - GAGES, NON-ELECTRICAL, WEIGHING AND MEASURING DEVICES								
00398		4702 - GAGES, LINES AND FITTINGS								
P20 00399	6685-065-0092	GAGE, PRESSURE: OUTLET (61349) AW217J	EA	1	*	*	*	*	9	31
P20 00400	6685-553-1995	GAGE, PRESSURE: OUTLET (61349) AW1814AC01	EA	1	*	*	*	*	9	26
P20 00401	6685-727-8698	GAGE PRESSURE: RECEIVER (61439) AW1817AC01	EA	1	*	*	*	*	9	22
O 00402	5310-526-0696	NUT, SELF-LOCKING: GAGE MTG, 1/8 NC THD SIZE (96906) MS20364-632A	EA	4					9	32
O 00403		SCREW, MACHINE: GAGE MTG, FILLISTER HEAD, 1/8 x 5/8 NC THD SIZE (88044) AN500-6-12	EA	12					9	23
00404		GROUP 50 - PNEUMATIC EQUIPMENT								
00411		5001 - CRANKCASE, CYLINDER, CYLINDER HEAD								
X20 00412	1040-921-5294	CAP ASSEMBLY: SECOND STAGE (78385) 4408-0054	B EA	1						
00499		5006 - LUBRICATION SYSTEM								
X20 00501	1040-921-5301	BREATHER ASSEMBLY (78385) 4455-0017	EA	1						
X20 00502		BODY, BREATHER (78385) 4455-0016	EA	1					8	21
X1 00503		CAP, BREATHER (78385) 3800692	EA	1						
P O 00504	4310-848-6071	COVER ASSEMBLY (78385) 3800691	EA	1	*	*	*	*	8	20
X1 00505		FILTER, BREATHER (78385) 3800695	EA	3						
X1 00506		HOUSING, FILTER (78385) 3800693	EA	1						
X1 00507		RETAINER, FILTER (78385) 3800694	EA	3						



(1)	(2)	(3) <b>DESCRIPTION</b>	(4)	(5)	(6) 15-DAY ORGANIZATIONAL MAINTENANCE ALW				(7) ILLUS- TRATION	
					(a)	(b)	(c)	(d)	(a)	(b)
					1-5	6-20	21-50	51-100	FIG NO.	ITEM NO.
X20 00508		CAP, SIGHT GLASS (78385) 3750463	EA	1					8	62
P20 00509	4820-097-9831	COCK, DRAIN (78385) 380194	EA	1	*	*	*	*	2	17
O 00510	4730-044-4040	ELBOW, STREET: DRAIN COCK TO ELBOW (79470) 3400X4	EA	2					2	18
P O 00511	4310-433-2991	GASKET: CAP (78385) 3800499	EA	1	*	*	*	*	8	65
P O 00512	4310-296-9396	GASKET: SIGHT INDICATOR (78385) 3750465	EA	2	*	*	*	2	8	63
P20 00514	5680-098-4673	INDICATOR, OIL (78385) 3750464	EA	1	*	*	*	*	8	64
O 00526		PLUG, PIPE: RESERVOIR DRAIN (88044) AN933-2	EA	1					8	83
O 00529		SCREW, MACHINE: SIGHT GLASS CAP MTG, 1/2-8-32 (02615) M34AS832-10C	EA	8					8	61
00533		5007 - COMPRESSOR DRIVE								
X20 00534		COVER, SILENCER (78385) 3260261	EA	1					8	9
00536		5008 - AIR INTAKE								
P O 00539	4310-992-5750	FILTER, INTAKE (06840) R56-16	EA	1	*	*	*	2	8	8
O 00540	5305-151-2758	SCREW, MACHINE: SILENCER MTG, 1 1/2 LG, 2A THD SIZE (88044) AN515-10-24	EA	2					8	10
O 00541	5310-045-3296	WASHER, LOCK: SILENCER MTG, .194 ID, .337 OD, .047 THD (88044) AN935-10	EA	2					8	11
00542		5009 - UNLOADER SYSTEM COMPONENTS								
X20 00543		ADAPTER, TUBE: PUSH VALVE (78385) 4428-0198	EA	2					9	12
O 00544	4730-188-8031	BUSHING: AIR PRESSURE TANK, BOTTOM (88044) AN893-2	EA	1					10	33
O 00545		BUSHING: AIR PRESSURE TANK, TOP (88044) AN893-5C	EA	1					10	36
O 00546	4730-278-3905	BUSHING: LOW PRESSURE REGULATOR TUBE TEE (88044) AN912-1C	EA	1					9	40
P O 00547	4310-107-0980	BUTTON, PUSH: PUSH VALVE (90526) 11916	EA	1	*	*	*	*	9	16
O 00548	5340-205-6301	CLAMP, CUSHIONED: TUBE MTG (96906) MS21919DG4	EA	5					10	44
O 00549	5340-205-6301	CLAMP, CUSHIONED: TUBE TO PANEL (96906) MS21919DG4	EA	1					9	19
X20 00550		CLAMP, HOSE: DEHYDRATOR (78385) 448-0495	EA	2					13	7

(1)	(2)	(3) <b>DESCRIPTION</b>	(4)	(5)	(6) 15-DAY ORGANIZATIONAL MAINTENANCE ALW				(7) ILLUS- TRATION	
					(a)	(b)	(c)	(d)	(a)	(b)
					1-5	6-20	21-50	51-100	FIG NO.	ITEM NO.
O 00551	5340-514-0018	CLAMP: VALVE MTG (96906) MS21919G19	EA	1					10	23
X20 00552		COUPLING: FILTER UNION TO TUBE (78385) 428-0299	EA	1					10	11
X20 00553	4730-277-1921	ELBOW: AFTER COOLER TO SEPARATOR TUBE (88044) AN939-4	EA	1					10	32
X20 00554	4730-231-4010	ELBOW: HIGH AND TUBE (96906) MS20822-4-4	EA	3					9	1
X20 00555	4730-231-3026	ELBOW: LOW PRESSURE (88044) AN833-4	EA	1					9	7
X20 00556	4730-231-3026	ELBOW: TUBE ATTACHING (88044) AN833-4	EA	3					10	14
O 00557		ELBOW, TUBE TO PIPE: SEPARATOR DRAIN TUBE TO SEPARATOR (78385) 628-0005	EA	1					10	25
X20 00558		FILTER ASSEMBLY (78385) 4455-0018 (INCLUDES COMPONENTS OF KITS, STOCK NO. (78385) 4459-0105 AND (78385) 4459-0112)	EA	1						
X20 00559		CAP, TANK (78385) 3800641	EA	1					18	1
X1 00560	1270-830-2836	DISC, RUPTURE (78385) 2741031	EA	2					18	5
O 00561	4730-221-2137	PLUG, PIPE: TANK CAP (96906) MS20913-2S	EA	1					18	2
X20 00562		RETAINER: DISC RING (78385) 130B2746	EA	2					18	3
X1 00563	1270-733-1322	RING, DISC (78385) 2740251	EA	2					18	4
X20 00564		SHELL, FILTER (78385) 457-0025	EA	1					18	6
X20 00566	1650-516-4724	FILTER: HYDRAULIC LINES (96906) MS28720-4	EA	1					10	4
P O 00567	4330-028-6757	ELEMENT, FILTER: HYDRAULIC LINE (88044) AN6235-1A	EA	1	*	2	2	4	10	40
P O 00568	4310-433-3001	FITTING ASSEMBLY: SAFETY (78385) 2740235	EA	1	*	*	*	*	14	
P O 00575	1650-576-9420	GASKET: TUBE FITTING (78385) 430A0432	EA	16	*	2	2	5	10	3
P O 00576	1650-576-9420	GASKET: TUBE FITTING, BACK PRESSURE VALVE (78385) 130A0432	EA	1	REF	REF	REF	REF	15	1
X20 00577		HOUSING, DEHYDRATOR (78385) 1370620 (INCLUDES COMPONENTS OF KIT, STOCK NO. (78385) 4459-0104)	EA	1					13	
X20 00577A	5307-362-0448	ADAPTER, OUTLET (78385) 3370621	EA	1					13	9
X20 00578	2930-364-1899	CAP, ADAPTER, OUTLET (78385) 3370622	EA	1					13	1
X20 00579		CAP, INLET (78385) 3370524	EA	1					13	6
P O 00580	4310-433-3004	DISC, FILTER: DEHYDRATOR (78385) 3370127	EA	1	*	*	*	*	13	10

(1) SMR CODE	(2) FEDERAL STOCK NUMBER	(3) DESCRIPTION  REF NUMBER & MFR CODE	(4) UNIT OF MEAS	(5) QTY INC IN UNIT	(6) 15-DAY ORGANIZATIONAL MAINTENANCE ALW				(7) ILLUS- TRATION	
					(a)	(b)	(c)	(d)	(a) FIG NO.	(b) ITEM NO.
					1-5	6-20	21-50	51-100		
X20 00581		HOUSING, DEHYDRATOR (78385) 3370623	EA	1					13	2
P O 00582	5330-752-8727	PACKING, PREFORMED (96906) MS29561-228	EA	1	*	2	2	4	13	4
P O 00583	4440-888-8560	RING, BACKUP: PACKING (78385) 3370525	EA	2	*	*	2	2	13	3
P O 00584	1270-876-7703	SPRING, DEHYDRATOR (78385) 3370131	EA	1	*	*	*	*	13	5
P O 00585	4310-574-7714	KIT, DEHYDRATOR (78385) 4459-0104	EA	1	2	10	21	42		
X1 00586		CARTRIDGE ASSEMBLY (78385) 3370170	EA	1					13	8
X1 00587		PACKING, RING (78385) 3370527	EA	1					13	11
X1 00588		RING, BACKUP (78385) 3370526	EA	1					13	12
P O 00589		KIT, REPAIR: STRAINER AND RELIEF VALVE ASSEMBLY (78385) 4459-0114	A	EA	1	*	*	*	*	
X1 00590		GASKET: VALVE MTG (78385) 130A0457	A	EA	1				8	
X1 00591	5330-186-1295	RING, BACKUP: GASKET (96906) MS28777-6	A	EA	1					
X20 00592		STRAINER AND VALVE ASSEMBLY (78385) 3260179	A	EA	1					
P O 00593	4310-226-1103	KIT, REPAIR: STRAINER AND RELIEF VALVE (78385) 4459-0113	B	EA	1	*	*	*	*	
X1 00594		GASKET: TUBE FITTING (70385) 130A0457	B	EA	1				8	4
X1 00595	5330-186-1295	RING, BACKUP: GASKET (96906) MS28777-6	B	EA	1				8	3
X20 00596	4310-983-3075	STRAINER AND VALVE ASSEMBLY (78385) 3260169	B	EA	1				8	46
P O 00607	4310-097-9832	KIT, SEPARATOR (78385) 4459-0105	EA	1	*	*	2	2		
X1 00608		ELEMENT, FILTER (78385) 13081759	EA	1					18	18
X1 00609		GASKET, FILTER (78385) 130A1580	EA	1					18	19
X1 00610	5330-788-0906	O RING, FITTING (78385) 48A113	EA	1					18	20
X1 00611		SCREW ASSEMBLY: 1/4 x 1 1/8 THD SIZE (78385) 130B0487	EA	1					18	16
X1 00612		WASHER, FLAT: 1/4 SCREW (78385) 130A1581	EA	1					18	17
O 00613	4730-542-3284	NIPPLE: HIGH AND LOW PRESSURE LINES (88044) AN816-4-4	EA	2					9	41
X20 00614	4730-187-0840	NIPPLE: SHUT-OFF VALVE (88044) AN816-4	EA	1					10	6
X20 00615	4730-851-6866	NIPPLE: TUBE ATTACHING (78385) 428-0201	EA	1					10	16
O 00616	5310-167-1311	NUT, CHECK: SHUT-OFF VALVE, 7/8-14 THD SIZE (88044) AN316-14R	EA	1					9	21

(1) SMR CODE	(2) FEDERAL STOCK NUMBER	(3) DESCRIPTION  USABLE ON CODE	(4) UNIT OF MEAS	(5) QTY INC IN UNIT	(6) 15-DAY ORGANIZATIONAL MAINTENANCE ALW				(7) ILLUS- TRATION	
					(a)	(b)	(c)	(d)	(a)	(b)
					1-5	6-20	21-50	51-100	FIG NO.	ITEM NO.
O 00617	4730-222-1912	NUT, COUPLING: DRAIN TU BE, 1/4 TUBE NUT (88044) AN818-4	EA	1					10	29
X20 00618		NUT, FERRULE: ADAPTER (45681) 4BT12B	EA	2					9	11
O 00619	5310-208-5769	NUT, FLARED TUBE: 7/16-20 THD SIZE (88044) AN924-4	EA	1					10	26
O 00620	4730-277-6372	NUT, FLARED TUBE: ELBOW AND UNION MTG, 1/4 TUBE NUT (88044) AN6289-4	EA	3					9	8
O 00621	5310-734-5760	NUT, FLARED TUBE: TUBE ATTACHING, 7/16-20 THD SIZE (88044) AN924-4	EA	2					9	37
O 00622	4730-277-6372	NUT, FLARED TUBE: BACK PRESSURE VALVE, 1/4 TUBE NUT (88044) AN6289-4	EA	4					11	10
O 00623	5310-012-0614	NUT, PLAIN, HEXAGON: CLAMP MTG, 10-32 THD SIZE, CHROMATE (96906) MS35650-102	EA	2					10	19
O 00624	5310-584-5005	NUT, PLAIN, HEXAGON: FILTER MTG, 1/4-20 THD SIZE, CHROMATE (96906) MS35690-405	EA	3					10	42
X20 00625		ORIFICE, METERING: TUBE TO ELBOW (78385) 428-0285	EA	1					10	27
P O 00626	5330-833-7491	PACKING, PREFORMED: BUSHING TO TANK (96906) MS28778-5	EA	1	*	*	*	*	10	34
P O 00627	5330-804-5694	PACKING, PREFORMED: BUSHING TO TANK (96906) MS28778-16	EA	1	*	*	*	*	10	35
X20 00628		PLUG, COUPLING HALF: BULKHEAD UNION (78385) 407-0209	EA	2					9	30
O 00629	4730-187-3600	REDUCER, FLARED TUBE: TUBE TO ELBOW (88044) AN919-6	EA	1					10	31
P O 00630	5330-186-4947	RING, BACKUP: TUBE GASKET (96906) MS28777-4	EA	7	*	2	2	4	11	11
P O 00631	5330-186-4947	RING, BACKUP: GASKET (96906) MS28777-4	EA	3	REF	REF	REF	REF	9	9
O 00632	5305-150-9158	SCREW, MACHINE: CLAMP MTG, 1/2 LG, 2A THD SIZE, CHROMATE (88044) AN501-10-8	EA	3					10	22
O 00634		SCREW, MACHINE: FILTER MTG (96906) MS35223-86	EA	2					10	39
O 00635		SCREW, MACHINE: HIGH PRESSURE REGULATING VALVE MTG, 3 x 1/4 NF THDS (96906) MS35224-91	EA	4					9	33
O 00636	4730-278-0678	SLEEVE, COUPLING: ELBOW TO TUBE (96906) MS20819-4	EA	1					10	30
X20 00637		SPACER: REGULATOR VALVE MTG (78385) 430-0092	EA	1					9	46
O 00638	4730-277-5060	TEE, BULKHEAD (88044) AN834-4	EA	2					9	39
X20 00639	4730-277-5060	TEE, PIPE: ORIFICE AND TUBE ATTACHING (88044) AN834-4	EA	1					10	14

(1) SMR CODE	(2) FEDERAL STOCK NUMBER	(3) <b>DESCRIPTION</b>  REF NUMBER & MFR CODE	(4) USABLE ON CODE	(5) UNIT OF MEAS	(6) 15-DAY ORGANIZATIONAL MAINTENANCE ALW	(7) ILLUS- TRATION					
						(6)				(a)	(b)
						(a)	(b)	(c)	(d)	FIG NO.	ITEM NO.
X20 00640	4730-277-5037	TEE, PIPE: TUBE CONNECTING (88044) AN826-4	EA	1					9	3	
X20 00641	4730-202-9032	TEE, PIPE: VALVE ATTACHING (88044) AN917-1C	EA	1					10	17	
X20 00642	4730-278-2780	TEE, PIPE: VALVE MTG (88044) AN938-4	EA	1					10	38	
P20 00643	4310-433-2995	TUBE ASSEMBLY: AFTER COOLER TO SEPARATOR (78385) 4428-0194	EA	1	*	*	*	*	10	43	
P20 00644	4310-433-2997	TUE ASSEMBLY: DRYER TO FILTER (78385) 4428-0191	EA	1	*	*	*	*	10	1	
P20 00645	4310-433-2996	TUBE ASSEMBLY: DRYER TO TEE (78385) 4428-0192	EA	1	*	*	*	*	10	24	
P20 00646	4310-296-9448	TUBE ASSEMBLY: FILTER TO METERED ORIFICE (78385) 4428-0196	EA	1	*	*	*	*	10	13	
P20 00647	4310-433-2998	TUE ASSEMBLY: FILTER TO SHUT-OFF VALVE (78385) 4428-0197	EA	1	*	*	*	*	10	5	
P20 00648	4310-296-9455	TUBE ASSEMBLY: FIRST STAGE TO FILTER (78385) 4428-0195	EA	1	*	*	*	*	10	10	
P20 00649	4310-433-3009	TUBE ASSEMBLY: HIGH PRESSURE GAGE TO PORT (78365) 4428-0182	EA	1	*	*	*	*	9	38	
P20 00650	4310-574-7716	TUBE ASSEMBLY: HIGH PRESSURE REGULATOR TO VALVE (78385) 4428-0188	EA	1	*	*	*	*	9	44	
P20 00651	4310-433-3007	TUBE ASSEMBLY: HIGH PRESSURE VALVE TO GAGE (78385) 4428-0184	EA	1	*	*	*	*	9	5	
P20 00652	4310-574-7746	TUBE ASSEMBLY: LOW PRESSURE GAGE TO PORT (78385) 4428-0181	EA	1	*	*	*	*	9	43	
P20 00653	4310-296-9457	TUBE ASSEMBLY: LOW PRESSURE REGULATOR TO HIGH PRESSURE REGULATOR (78385) 4428-0186	EA	1	*	*	*	*	9	2	
P O 00654	4310-433-3006	TUBE ASSEMBLY: LOW PRESSURE REGULATOR TO RECEIVER GAGE (78385) 4428-0185	EA	1	*	*	*	*	9	6	
P20 00655	4310-574-7718	TUBE ASSEMBLY: LOW PRESSURE REGULATOR TO VALVE (78385) 4428-0187	EA	1	*	*	*	*	9	42	
P20 00656	4310-433-3008	TUBE ASSEMBLY: LOW PRESSURE VALVE TO GAGE (78385) 4428-0183	EA	1	*	*	*	*	9	4	
P20 00657	4310-433-2999	TUBE ASSEMBLY: RECEIVER TO REGULATOR (78385) 4428-0189	EA	1	*	*	*	*	10	9	
P20 00658	4310-574-7762	TUBE ASSEMBLY: SECOND TO THIRD STAGE (78385) 3800321	EA	1	*	*	*	*	8	56	
P20 00659	4310-629-3269	TUBE ASSEMBLY: VALVE TO SAFETY FITTING (78385) 4428-0190	EA	1	*	*	*	*	10	8	

(1) SMR CODE	(2) FEDERAL STOCK NUMBER	(3) <b>DESCRIPTION</b>  REF NUMBER & MFR CODE	(4) UNIT OF MEAS  USABLE ON CODE	(5) QTY INC IN UNIT	(6) 15-DAY ORGANIZATIONAL MAINTENANCE ALW				(7) ILLUS- TRATION	
					(a)	(b)	(c)	(d)	(a)	(b)
					1-5	6-20	21-50	51-100	FIG NO.	ITEM NO.
X20 00660		TUBE, DRAIN: SEPARATOR (78385) 428-0311	EA	1					10	28
X20 00661		TUBE: PUSH VALVE TO ATMOSPHERE (78385) 428-0283	EA	1					9	15
P O 00662	4310-433-2994	UNION, FILTER (10989) 20011-4-464	EA	2	*	*	*	*	10	12
X20 00663	4730-277-6458	UNION: TANK TOP (88044) AN832-4	EA	2					10	37
X20 00664	4730-278-3242	UNION: TUBE TO COUPLING DEHYDRATOR, AND FILTER (88044) AN815-4	EA	1					10	2
X20 00665		UNION: TUBE TO PANEL (78385) 4428-0171	EA	2					9	29
P O 00666	4820-602-4412	VALVE ASSEMBLY: BACK PRESSURE (78385) 2670100-1	EA	1	*	*	*	*	11	
P O 00678	4820-032-7661	VALVE ASSEMBLY: CHECK (78385) 140B1100	EA	1	*	*	*	*		
P O 00687	4310-433-3002	VALVE ASSEMBLY: PNEUMATIC DUMP (78385) 4465-0032	EA	1	*	*	*	*		
P O 00694	1450-055-9084	VALVE ASSEMBLY: PRESSURE RELIEF (78385) 116B100-10	EA	1	*	*	*	*	17	
P O 00705	4310-433-3000	VALVE, SHUT-OFF (28968) 305A	EA	1	*	*	*	*	10	18
P O 00706	4310-433-3005	VALVE, PUSH (90526) MAV2	EA	1	*	*	*	*	9	13
P20 00707	4820-086-2437	VALVE REGULATOR: HIGH PRESSURE (94124) R1775B565895	EA	1	*	*	*	*	9	35
P20 00708	4820-088-4572	VALVE REGULATOR: LOW PRESSURE (94124) R2172B565896	EA	1	*	*	*	*	9	36
P20 00709	4820-813-5496	VALE, SHUT-OFF (91816) 949T2PP	EA	1	*	*	*	*	9	20
P O 00710	4820-956-2316	VALE, SHUT-OFF (28968) 329	EA	1	*	*	*	*	10	7
O 00711	5310-167-0839	WASHER, FLAT: PUSH VALVE, 3/8 FLAT (88044) AN960-816L	EA	1					9	14
O 00712	5310-576-5752	WASHER, LOCK: CLAMP MTG, .190 ID, .365 OD, .020 THK, CHROMATE (96906) MS35333-29	EA	3					10	20
O 00713	5310-550-1130	WASHER, LOCK: FILTER MTG, INTERNAL TOOTH, .250 ID, .460 OD, .023 THK (96906) MS35333-40	EA	2					10	41
O 00714	5310-550-1130	WASHER, LOCK: HIGH PRESSURE REGULATING VALVE MTG, INTERNAL TOOTH, .250 ID, .460 OD, .023 THK (96906) MS35333-40	EA	4					9	34
00715		5010 - COMPRESSOR COOLING AND HEATING								
X20 00718	5340-769-5311	CLAMP: AFTER COOLER (78385) 3260185	EA	6					8	101
X20 00719		CLAMP, HOSE: BLANKET MTG (78385) 3090682	EA	1					18	15
X20 00721		GUARD: FAN AND AFTER COOLER (78385) 3260194	EA	1					8	98

(1) SMR CODE	(2) FEDERAL STOCK NUMBER	(3) <b>DESCRIPTION</b>  USABLE ON CODE	(4) UNIT OF MEAS	(5) QTY INC IN UNIT	(6) 15-DAY ORGANIZATIONAL MAINTENANCE ALW				(7) ILLUS- TRATION	
					(a)	(b)	(c)	(d)	(a)	(b)
					1-5	6-20	21-50	51-100	FIG NO.	ITEM NO.
O 00724	5305-151-0361	SCREW, MACHINE: GUARD MTG, 1 1/2 IN. LG, 2A THD, SIZE (88044) AN500A10-24	EA	6					8	100
P20 00725	4310-433-3010	TUBE ASSEMBLY: FIRST TO SECOND STAGE (78385) 3800222	EA	1	*	*	*	*	8	31
P20 00726	4310-433-2993	TUBE ASSEMBLY: TEE TO PUSH VALVE (78385) 4428-0193	EA	1	*	*	*	*	10	21
O 00727	5310-559-0070	WASHER, LOCK: AFTER COOLER MTG, INTERNAL TOOTH, .164 ID, .325 OD, .018 THK (96906) MS35333-38	EA	12					8	102
O 00728	5310-576-5752	WASHER, LOCK: FAN GUARD MTG, INTERNAL TOOTH, .190 ID, .365 OD, .020 THK (96906) MS35333-39	EA	6					8	99
00729		5013 - HOSE REEL								
X20 00730		BRACE, REEL (78385) 407-0237	A EA	1					16	22
X20 00731		BRACE, REEL (78385) 407-0352	B EA	1					16	22
X20 00732		BRACKET, REEL (78385) 407-0236	EA	1					16	4
O 00733	5310-526-0696	NUT, SELF-LOCKING: BRACE MTG, 10-24 (96906) MS20364-632A	EA	2					16	24
O 00734		NUT, SELF-LOCKING: BRACE MTG, 10-24 (96906) MS20365-1032A	EA	2					16	21
O 00735		NUT, SELF-LOCKING: BRACKET MTG, 10-24 THD SIZE (96906) MS20364-1032C	EA	1					16	3
O 00736	5310-588-0389	NUT, SELF-LOCKING: BRACKET MTG, 10-24 THD SIZE (96906) MS20364-832A	EA	1					16	1
O 00737	5310-059-5875	NUT, SELF-LOCKING: RACK MTG, 6-32 THD SIZE (96906) MS20364-1032C	EA	4					16	3
O 00738		NUT, SELF-LOCKING: RACK MTG, 6-32 THD SIZE (96906) MS20364-832C	EA	4					16	20
X20 00739		RACK, HOSE: FRONT (78385) 130G1896	EA	1					16	12
X20 00740		RACK, HOSE: REAR (78385) 130R1897	EA	1					16	6
O 00741	5305-156-2714	SCREW, MACHINE: BRACE MTG, 5/8 LG (88044) AN501A10-10	EA	2					16	23
O 00742	5305-514-8004	SCREW, MACHINE: BRACE MTG, 1/2 LG (88044) AN505-6-8	EA	2					16	19
O 00743		SCREW, MACHINE: BRACKET MTG, 3/4 LG, CHROMATE (88044) AN505-8-10	EA	1					16	7
O 00744	5305-543-5743	SCREW, MACHINE: BRACKET MTG, 3/4 LG, CHROMATE (96906) MS35224-65	EA	1					16	5

(1) SMR CODE	(2) FEDERAL STOCK NUMBER	(3) <b>DESCRIPTION</b>  USABLE ON CODE	(4) UNIT OF MEAS	(5) QTY INC IN UNIT	(6) 15-DAY ORGANIZATIONAL MAINTENANCE ALW				(7) ILLUS- TRATION	
					(a)	(b)	(c)	(d)	(a)	(b)
					1-5	6-20	21-50	51-100	FIG NO.	ITEM NO.
O 00745	5305-579-5025	SCREW, MACHINE: FRONT RACK MTG, 5/8 LG, CHROMATE (96906) MS35224-64	EA	4					16	13
O 00746	5305-576-0528	SCREW, MACHINE: FRONT RACK MTG, 3/4 LG, CHROMATE (96906) MS35223-47	EA	4					16	14
00747		5014 - AIR RECEIVER								
P O 00751	1450-055-9084	VALVE ASSEMBLY: PRESSURE RELIEF, AIR RECEIVER (78385) 116B100-10	EA	1	REF	REF	REF	REF	17	
00762		5015 - AIR DISCHARGE SYSTEM								
O 00763	4730-231-3028	ELBOW: TUBE TO CYLINDER (88044) AN833-6	EA	2					8	39
X20 00764		GASKET, TUBE FITTING: ELBOW TO CYLINDER (78385) 130A0457	EA	4					8	4
O 00765	4730-277-5084	NUT, FLARED TUBE: ELBOW TO CYLINDER, 1/4 NUT (88044) AN6289-6	EA	3					8	2
O 00766	4730-277-5083	NUT, FLARED TUBE: VALVE TO CYLINDER, 1/4 NUT (88044) AN6289D6	EA	1					8	2
O 00767	4730-088-8520	REDUCER: THIRD STAGE CYLINDER (78385) 3750231	EA	1					8	60
X20 00768	5330-186-1295	RING, BAC KUP: ELBOW AND VALVE TO CYLINDER (96906) MS28777-6	EA	4					8	3
O 00769		TEE: TUBE TO FIRST STAGE CYLINDER HEAD (78385) 4428-0169	EA	1					8	1



(1) SMR CODE	(2) FEDERAL STOCK NUMBER	(3) DESCRIPTION  USABLE ON CODE	(4) UNIT OF MEAS	(5) QTY INC IN UNIT	(6) 30-DAY DS MAINT ALLOWANCE			(7) 30-DAY GS MAINT ALLOWANCE			(8) 1-YR ALW PER 100 EQUIP CNTGY	(9) DEPOT MAINT ALW PER 100 EQUIP	(10) ILLUS- TRATION	
					(a)	(b)	(c)	(a)	(b)	(c)			(a)	(b)
					1-20	21-50	51-100	1-20	21-50	51-100			FIG. NO.	ITEM NO.
00001		SECTION V - REPAIR PARTS FOR DS, GS, AND DEPOT MAINTENANCE												
00002		GROUP 01 - ENGINE												
00003		0100 - ENGINE ASSEMBLY												
P2F R 00004	2805-061-4667	ENGINE, ASSEMBLY GASOLINE (34199) K141PT29230C	EA	1	*	*	*	*	*	*	5	5	2	8
P O 00005	2815-086-2436	KIT, GASKET: ENGINE OVERHAUL (34199) 231706	EA	1	4	4	8	2	4	8	100	100		
X1 00006	2940-585-1494	GASKET: AIR CLEANER BASE MTG (34199) 220537	EA	1	SEE GRP 0304									
X1 00007		GASKET: BEARING PLATE (34199) 230112	EA	2	SEE GRP 0102									
X1 00008	2920-573-9992	GASKET: BREAKER COVER (34199) 220174	EA	1	SEE GRP 0605									
X1 00009	2910-562-1149	GASKET: CARBURETOR MTG (34199) 210223	EA	2	SEE GRP 0301									
X1 00010		GASKET: CYLINDER HEAD (34199) 230024	EA	1	SEE GRP 0101									
X1 00011		GASKET: FUEL PUMP MTG (34199) 240281	EA	1	SEE GRP 0302									
X1 00012		GASKET: MUFFLER MTG (34199) 231090	EA	1	SEE GRP 0401									
X1 00013	2805-544-0741	GASKET: OIL PAN MTG (34199) 230057	EA	1	SEE GRP 0106									
X1 00014	2805-544-0740	GASKET: VALVE COVER (34199) 230048	EA	2	SEE GRP 0105									
X1 00015	5310-531-7238	SEAL: BREATHER (34199) 230046	EA	1	SEE GRP 0106									
X1 00016		SEAL, OIL: BEARING PLATE (34199) X583-1	EA	1	SEE GRP 0102									
X1 00017		SEAL, OIL: REAR ADAPTER PLATE (34199) X583-2	EA	1	SEE GRP 0102									
F 00018	5310-543-2628	NUT, PLAIN, HEXAGON: ENGINE MTG, 3/8-16 x 1 1/2 IN. LG (96906) MS35690-602	EA	4									2	10
F 00019		SCREW, CAP, HEXAGON HEAD: ENGINE MTG, 3/8-16 x 1 1/2 IN. LG (96906) MS35297-65	EA	4									2	11
F 00020	5310-637-9541	WASHER, LOCK: ENGINE MTG, FOR 3/8 IN. SCREW (96906) MS35338-46	EA	4									2	9
00021		0101 - CRANKCASE, BLOCK, CYLINDER HEAD												
X20 00022		BAFFLE: CYLINDER (34199) 230054	EA	1									1	8
X2F 00023		BLOCK ASSEMBLY: CYLINDER (34199) B230741	EA	1									1	14
P F 00024	2805-269-4691	GUIDE: VALVE (34199) 230007S	EA	2	SEE GRP 0105									
X2F 00025	2805-078-7877	INSERT, VALVE SEAT (34199) 230170S	EA	2	SEE GRP 0105									

(1) SMR CODE	(2) FEDERAL STOCK NUMBER	(3) DESCRIPTION  USABLE ON CODE	(4) UNIT OF MEAS	(5) QTY INC IN UNIT	(6) 30-DAY DS MAINT ALLOWANCE			(7) 30-DAY GS MAINT ALLOWANCE			(8) 1-YR ALW PER 100 EQUIP CNTGY	(9) DEPOT MAINT ALW PER 100 EQUIP	(10) ILLUS- TRATION	
					(a)	(b)	(c)	(a)	(b)	(c)			(a)	(b)
					1-20	21-50	51-100	1-20	21-50	51-100			FIG. NO.	ITEM NO.
X2F 00026		SHAFT, GOVERNOR DRIVE (34199) 230125S	EA	1									4	40
X1 00027	2805-544-0724	GASKET: CYLINDER HEAD (34199) 230024 (COMPONENT OF KIT, GASKET, STOCK No. (34199) 230024, SEE GROUP 0100)	EA	1									1	10
P20 00028	2805-607-6456	HEAD, CYLINDER (34199) 230402	EA	1	*	*	*	*	*	*	5	5	1	9
X20 00029		PLUG, EXPANSION: BLOCK (34199) X230-11	EA	1									4	4
O 00030		SCREW, CAP, HEXAGON HEAD: BAFFLE PLATE, 1/4 x 3/4 No. 20 THD (96906) MS35297-59	EA	1									2	15
O 00031		SCREW, CAP, HEXAGON HEAD: CYLINDER BAFFLE MTG, 1/4-20 THD SIZE, 3/8 IN. LG (34199) X132-1	EA	2									1	7
X20 00032	2805-574-0001	SCREW, CAP, HEXAGON HEAD: CYLINDER HEAD MTG, 5/16-18 THD SIZE, 1 1/2 IN. LG (34199) 230175	EA	6									1	6
O 00033		SCREW, CAP, HEXAGON HEAD: BAFFLE 1/4 x 3/4 No. 20 THD (34199) X134-1	EA	1									1	4
X20 00034		SPACER, BAFFLE PLATE (76385) 3800164	EA	1									2	13
O 00035	5310-595-7237	WASHER LOCK: BAFFLE PLATE MTG, INTERNAL TOOTH, .384 ID, .670 OD, .040 IN. THK, CHROMATE (96906) MS35333-42	EA	1									2	14
O 00036	5310-778-0261	WASHER, LOCK: CYLINDER HEAD MTG, 5/16 IN. SCREW SIZE (34199) 220534	EA	6									1	5
00037		0102 - CRANKSHAFT												
P F 00038	3110-144-8526	BEARING, BALL: CRANKSHAFT (34199) 231625	EA	1	*	*	2	*	*	2	6	20	1	43
P F 00039	2805-086-2642	CRANKSHAFT, ENGINE (34199) 232668	EA	1	*	*	*	*	*	*	5	5	1	44
X1 00040		GASKET: BEARING PLATE (34199) 230112 (COMPONENT OF KIT, GASKET, STOCK No. (34199) 230112, SEE GROUP 0100)	EA	1									1	42
O 00041	5315-023-7705	KEY, MACHINE: FLYWHEEL TO SHAFT (34199) X286-10	EA	1									1	50
X2F 00042		PLATE ADAPTER: REAR (34199) 230983	EA	1									1	37
X2F 00043		PLATE ASSEMBLY: BEARING (34199) A232688	EA	1									1	52
X2F 00044		PLUG, BUTTON: BEARING PLATE (34199) X301-1	EA	1									1	51
F 00045		SCREW, CAP, HEXAGON HEAD: BEARING PLATE MTG, 1/4-20 THD SIZE, 3/4 IN. LG (34199) X5-8	EA	4									1	57

(1) SMR CODE	(2) FEDERAL STOCK NUMBER	(3) DESCRIPTION  USABLE ON CODE	(4) UNIT OF MEAS	(5) QTY INC IN UNIT	(6) 30-DAY DS MAINT ALLOWANCE			(7) 30-DAY GS MAINT ALLOWANCE			(8) 1-YR ALW PER 100 EQUIP CNTGY	(9) DEPOT MAINT ALW PER 100 EQUIP	(10) ILLUS- TRATION	
					(a)	(b)	(c)	(a)	(b)	(c)			(a)	(b)
					1-20	21-50	51-100	1-20	21-50	51-100			FIG. NO.	ITEM NO.
F 00046		SCREW, MACHINE: REAR ADAPTER PLATE MTG, 3/8-16 THD SIZE, 5/8 IN. LG (34199) X113-5	EA	4									1	38
X1 00047		SEAL, OIL: BEARING PLATE (34199) X583-1 (COMPONENT OF KIT, GASKET, STOCK No. (34199) X583-1, SEE GROUP 0100)	EA	1									1	53
X1 00048		SEAL, OIL: REAR ADAPTER PLATE (34199) X583-2 (COMPONENT OF KIT, GASKET, STOCK No. (34199) X583-2, SEE GROUP 0100)	EA	1									1	35
F 00049	5310-298-8704	WASHER, FLAT: BEARING PLATE MTG, COPPER, 1/4 IN. SCREW SIZE (34199) X25-55	EA	4									1	58
00050		0103 - FLYWHEEL ASSEMBLY												
X20 00051		FLYWHEEL, ENGINE (34199) 231638	EA	1									1	63
O 00052		NUT, PLAIN, HEXAGON: FLYWHEEL MTG, 1/2 IN. No. 20 NF THD (34199) X85-1	EA	1									1	65
O 00053		WASHER, LOCK: FLYWHEEL MTG, 1/2 IN. (34199) X24-2	EA	1									1	64
00054		0104 - PISTONS, CONNECTING RODS												
P F 00055	2805-939-9827	PISTON AND ROD ASSEMBLY (34199) B230074 (INCLUDES COMPONENTS OF RING SET, STOCK No. 2805-529-9905)	EA	1	*	*	2	*	*	2	0	10		
X2F 00056	2805-562-1133	PISTON ASSEMBLY: STANDARD (34199) A230103	EA	1										
X1 00057		PIN, PISTON (34199) 231956	EA	1									1	49
X1 00058		PISTON, STANDARD (34199) 230002	EA	1									1	46
P F 00059	5340-544-0698	RETAINER: PISTON PIN (34199) 230004	EA	2	*	*	2	*	*	2	10	10	1	47
X2F 00060	2805-610-3002	ROD, CONNECTING (34199) B230039	EA	1									1	45
X1 00061	5306-655-7649	BOLT: CONNECTING ROD (34199) 230526	EA	2									1	60
P F 00062	2805-691-3025	LOCK: CONNECTING ROD BOLT (34199) 230525	EA	1	2	2	3	2	2	3	30	100	1	59
X1 00063		ROD, CONNECTING (34199) 230519	EA	1										
P F 00064	2805-529-9905	RING SET, STANDARD (34199) 230467	EA	1	2	2	3	2	2	3	30	100	1	48
X1 00065		RING, OIL (34199) 230186	EA	1										
X1 00066		RING, TOP COMPRESSION (34199) 230176	EA	2										

(1) SMR CODE	(2) FEDERAL STOCK NUMBER	(3) DESCRIPTION  REF NUMBER & MFR CODE	(4) UNIT OF MEAS	(5) QTY INC IN UNIT	(6) 30-DAY DS MAINT ALLOWANCE			(7) 30-DAY GS MAINT ALLOWANCE			(8) 1-YR ALW PER 100 EQUIP CNTGY	(9) DEPOT MAINT ALW PER 100 EQUIP	(10) ILLUS- TRATION	
					(a)	(b)	(c)	(a)	(b)	(c)			(a)	(b)
					1-20	21-50	51-100	1-20	21-50	51-100			FIG. NO.	ITEM NO.
00067		0105 - VALVES, CAMSHAFTS AND TIMING SYSTEM												
P2F 00068	2805-997-4465	CAMSHAFT ASSEMBLY (34991) A232776	EA	1	*	*	*	*	*	*	5	5	1	74
X20 00069		COVER ASSEMBLY (34199) A230774	EA	1									1	22
X1 00070	2805-544-0740	GASKET, VALVE COVER (34199) 230048 (COMPONENT OF KIT, GASKET, STOCK No. (34199) 230048 SEE GROUP 0100)	EA	2									1	18
P F 00071	2805-269-4691	GUIDE: VALVE (34199) 230007S	EA	2	*	*	2	*	*	2	10	5	1	13
X2F 00072	2805-078-7877	INSERT, EXHAUST VALVE (34199) 230170S	EA	1									1	42
P F 00073	2805-428-3544	KEEPER, SPRING (34199) 240013	EA	2	*	2	2	*	2	2	20	10	1	16
O 00074	5310-584-5005	NUT, PLAIN, HEXAGON: COVER MTG, 1/4-20 THD SIZE (34199) X81-1	EA	2									1	24
P2F 00075	5315-594-9501	PIN, CAMSHAFT (34199) 230053	EA	1	*	*	*	*	*	*	5	5	1	78
P2F 00076	2805-507-1449	RETAINER, SPRING (34199) 230011	EA	1	*	*	2	*	*	2	10	10	1	25
P F 00077	2805-507-1454	ROTATOR, VALVE (34199) 230020	EA	1	*	2	2	*	2	2	20	20	1	26
P2F 00078	5340-680-1583	SPACER: .010 (34199) 230294	EA	1	*	*	*	*	*	*	5	10	1	77
P2F 00079	5340-680-1584	SPACER: .005 (34199) 230293	EA	1	*	*	*	*	*	*	5	10	1	77
P F 00080	2805-527-0266	SPRING, VALVE: EXHAUST (34199) 230168	EA	1	*	2	2	*	2	2	20	50	1	28
P F 00081	2805-527-0265	SPRING, VALVE: INTAKE (34199) 230010	EA	1	*	2	2	*	2	2	20	50	1	27
X20 00082		STUD: COVER MTG, 1/4 x 1 1/2 LG, No. 20 THD (34199) 230043	EA	1									1	17
P2F 00083	2805-269-4692	TAPPET, VALVE: EXHAUST (34199) 232777	EA	1	*	*	*	*	*	*	5	5	1	75
P2F 00084	2805-544-0717	TAPPET, VALVE: INTAKE (34199) 230013	EA	1	*	*	*	*	*	*	5	5	1	76
P2F 00085	2805-608-0089	VALVE EXHAUST (34199) 230027	EA	1	*	*	2	*	*	2	10	20	1	11
P F 00086	2805-608-0086	VALVE, INTAKE (34199) 230008	EA	1	*	*	2	*	*	2	10	10	1	12
O 00087	5310-543-2705	WASHER, LOCK: COVER MTG, .375 ID, x .688 OD x .094 THICK (34199) X20-1	EA	1									1	23
00088		0106 - ENGINE LUBRICATION SYSTEM												
X20 00089	2805-507-1163	BREATHER ASSEMBLY (34199) A230066	EA	1									1	19
X20 00090		DIPSTICK, OIL (34199) A231496	EA	1									2	4

(1) SMR CODE	(2) FEDERAL STOCK NUMBER	(3) DESCRIPTION  USABLE ON CODE  REF NUMBER & MFR CODE	(4) UNIT OF MEAS	(5) QTY INC IN UNIT	(6) 30-DAY DS MAINT ALLOWANCE			(7) 30-DAY GS MAINT ALLOWANCE			(8) 1-YR ALW PER 100 EQUIP CNTGY	(9) DEPOT MAINT ALW PER 100 EQUIP	(10) ILLUS- TRATION	
					(a)	(b)	(c)	(a)	(b)	(c)			(a)	(b)
					1-20	21-50	51-100	1-20	21-50	51-100			FIG. NO.	ITEM NO.
X20 00091	4730-585-6552	ELBOW: DIPSTICK OIL LINE (88044) AN916-4C	EA	1									2	6
P O 00092	4330-907-9650	FILTER: OIL (34199) 231419	EA	1	*	*	2	*	*	2	10	20	1	21
X1 00093	2805-544-0741	GASKET: OIL PAN MTG (34199) 230057 (COMPONENT OF KIT, GASKET, STOCK No. (34199) 231076, SEE GROUP 0100)	EA	1									1	73
O 00094		NIPPLE, PIPE: DIPSTICK LINE (78385) 628-0050-55	EA	2									2	5
X2F 00095		PAN, OIL (34199) 230021	EA	1									1	72
X20 00096		PIPE, EXTENSION: DIPSTICK (78385) 628-0054	EA	1									2	3
O 00097	4730-555-9372	PLUG, PIPE: DIPSTICK OIL LINE DRAIN (96906) MS20913-4CR	EA	1									2	1
X20 00098		PLUG, PIPE: OIL DRAIN, 1/2 IN. PIPE, THD (34199) X75-28	EA	1									1	71
F 00099	5305-939-9621	SCREW, CAP, HEXAGON HEAD: OIL PAN MTG, 5/16 x 1 1/8 (34199) X154-3	EA	4									1	15
X1 00100	5340-531-7238	SEAL, BREATHER (34199) 230046 (COMPONENT OF KIT, GASKET, STOCK No. (34199) 231706 SEE GROUP 0100)	EA	1									1	20
O 00101	4730-287-3698	TEE: DIPSTICK LINE, INTERNAL THD (88044) AN917-4C	EA	1									2	2
00102		0107 - ENGINE STARTING SYSTEM												
X20 00103		CUP, DRIVE: STARTER (34199) A231644	EA	1									3	1
O 00104		SCREW, MACHINE: STARTER MTG, ROUND HEAD, 10-24 THD SIZE, 1 3/4 IN. LG (34199) X136-2	EA	5									1	67
P O 00105	2990-083-9094	STARTER ASSEMBLY (00166) 504-500	EA	1	*	*	2	*	*	2	6	10	1	68
X20 00106		BRAKE: STARTER (00166) 112-18	EA	1									3	7
P O 00107		CORD, NYLON (00166) 110-129	EA	1	2	4	8	2	4	8	100	100	3	12
X20 00108		DOG, STARTER (00166) 494-50	EA	3									3	14
P O 00109	2990-083-9243	HANDLE ASSEMBLY (00166) 110-209	EA	1	*	*	2	*	*	2	10	20	3	13
X20 00110		HOUSING ASSEMBLY (00166) 504-100	EA	1									3	11
X20 00111		PULLEY, STARTER (00166) 504-2	EA	1									3	9
X20 00112		RETAINER, STARTER (00166) 504-4	EA	1									3	5

(1) SMR CODE	(2) FEDERAL STOCK NUMBER	(3) DESCRIPTION  USABLE ON CODE	(4) UNIT OF MEAS	(5) QTY INC IN UNIT	(6) 30-DAY DS MAINT ALLOWANCE			(7) 30-DAY GS MAINT ALLOWANCE			(8) 1-YR ALW PER 100 EQUIP CNTGY	(9) DEPOT MAINT ALW PER 100 EQUIP	(10) ILLUS- TRATION	
					(a) 1-20	(b) 21-50	(c) 51-100	(a) 1-20	(b) 21-50	(c) 51-100			(a) FIG. NO.	(b) ITEM NO.
					O 00113		SCREW, MACHINE: RETAINER MTG, 3/8 x 1 3/4 NC THD (34199) 231683	EA	1					
X1 00114		SHEAVE, STARTER (00166) 110-121	EA	1										
P O 00115	2990-083-9117	SPRING, RETAINER (00166) 504-7	EA	1	*	*	2	*	*	2	10	20	3	6
P O 00116	2390-083-9096	SPRING, RECOIL (00166) 110-68	EA	1	*	*	2	*	*	2	10	20	3	10
O 00117		WASHER, FLAT: FOR 3/8 SCREW (00166) 112-68	EA	1									3	4
O 00118		WASHER, FLAT: FOR 3/8 SCREW (00166) 502-19	EA	1									3	3
X20 00119		WASHER, THRUST: 3/8 ID x 1 1/4 OUTSIDE DIAMETER (00166) 502-15	EA	1									3	8
00120		GROUP 03 - FUEL SYSTEM												
00121		0301 - CARBURETOR												
P O R 00122	2910-781-5777	CARBURETOR ASSEMBLY (78480) E12A (INCLUDES COMPONENTS OF KIT, STOCK No. 2910-633-4069)	EA	1	*	*	2	*	*	2	10	5	4	19
X20 00123		ELBOW: CARBURETOR TO BLOCK (34199) 231585	EA	1									4	21
X1 00124	2910-562-1149	GASKET: CARBURETOR MTG (34199) 210223 (COMPONENT OF KIT, GASKET, STOCK No. (34199) 231706 SEE GROUP 0100)	EA	1									4	20
P F 00125	2910-633-4069	KIT, REPAIR (78480) RK383	EA	1	*	2	3	*	2	3	30	50		
X1 00126		PIN, FLOAT (78480) 11564	EA	1										
X1 00127		PLUG (78480) 02531	EA	1										
X1 00128		SCREW, IDLE: 1/8 x 1/2 LG (78480) 11563	EA	1										
X1 00129		SCREW, MAIN: 1/8 x 1 IN. LG, FINE THD (78480) 11562	EA	1										
X1 00130		SCREW, REGULATOR: 1/8 x 3/4 IN. LG (78480) 11565	EA	1										
X1 00131		SEAT AND GASKET (78480) 11653	EA	1										
X1 00132		SPRING, ADJUSTMENT (78480) 8793	EA	2										
X1 00133		SPRING, IDLE (78480) 11431	EA	1										
X1 00134		WASHER: No. 10 SCREW SIZE (78480) 11428	EA	1										
O 00135		SCREW, CAP, HEXAGON HEAD: CARBURETOR MTG, 1/4 x 1/2, No. 20 THD (34199) X132-5	EA	2									4	36
O 00136		SCREW, MACHINE: ELBOW TO BLOCK, 1/4 X 3/4 IN. LG, No. 20 THD (34199) X132-5	EA	2									4	36

(1) SMR CODE	(2) FEDERAL STOCK NUMBER	(3) DESCRIPTION  USABLE ON CODE	(4) UNIT OF MEAS	(5) QTY INC IN UNIT	(6) 30-DAY DS MAINT ALLOWANCE			(7) 30-DAY GS MAINT ALLOWANCE			(8) 1-YR ALW PER 100 EQUIP CNTGY	(9) DEPOT MAINT ALW PER 100 EQUIP	(10) ILLUS- TRATION	
					(a)	(b)	(c)	(a)	(b)	(c)			(a)	(b)
					1-20	21-50	51-100	1-20	21-50	51-100			FIG. NO.	ITEM NO.
P F 00137	2910-107-1167	SET, GASKET (78480) GS147	EA	1	*	2	3	*	2	3	30	50		
00138		0302 - FUEL PUMP												
X1 00139	2910-544-0807	GASKET: FUEL PUMP (34199) 240281 (COMPONENT OF KIT, GASKET, STOCK No. (34199) 240281, SEE GROUP 0100)	EA	1									4	32
P O 00140	2910-083-9244	PUMP, ASSEMBLY: FUEL (34199) A231796	EA	1	*	2	3	*	2	3	30	50	4	33
O 00141		SCREW, MACHINE: 1/4 X 5/8, No. 20 THD (34199) X161-1	EA	2									4	35
00142		0304 - AIR CLEANER												
X20 00143		BASE, CLEANER (34199) 231576	EA	1									4	14
X20 00144		DECAL (34199) 231578	EA	1										
P O 00145	2940-083-9245	ELEMENT, CLEANER (34199) 232804	EA	1	2	4	8	2	4	8	100	100	4	18
X1 00146	2940-585-1494	GASKET: AIR CLEANER MTG (34199) 220537 (COMPONENT OF KIT, GASKET, STOCK No. (34199) 23176, SEE GROUP 0100)	EA	1									4	13
O 00147		NUT, WING (34199) X276-4	EA	1									4	17
O 00148		SCREW, MACHINE: AIR CLEANER MTG No. 10-32 THD SIZE, 3/8 IN, LG (34199) X50-2	EA	2									4	16
O 00149		WASHER, LOCK: AIR CLEANER MTG, No. 10 SCREW SIZE (34199) X19-1	EA	2									4	15
00150		0306 - TANKS, LINES, FITTINGS												
X20 00151		BRACKET: TANK SUPPORT (78385) 407-0221	EA	2									5	8
X20 00152	5340-205-6301	CLAMP: FUEL LINE (96906) MS21919DG4	EA	7									5	5
P O 00153	4820-275-2226	COCK, DRAIN: FUEL LINE (79470) 150	EA	1	*	*	2	*	*	2	6	5	5	15
X20 00154		CONNECTOR: FUEL LINE O TEE (45681) 628-0056	EA	1									5	17
X20 00155		ELBOW, FLARED: FUEL LINE TO PUMP (34199) X447-10	EA	1									4	34
X20 00156		ELBOW: FUEL LINE TO FILTER (09523) 4CB12B	EA	1									5	19
X20 00157		ELBOW, HOSE: HOSE TO FUEL PUMP (34199) X439-1	EA	1									4	11
X20 00158		LINE, FLEXIBLE, FUEL: FUEL PUMP TO CARBURETOR (34199) X386-19	EA	1									4	12
O 00159		NIPPLE, PIPE: FILTER TO TANK (45681) 628-0057	EA	1									5	25

(1) SMR CODE	(2) FEDERAL STOCK NUMBER	(3) DESCRIPTION  REF NUMBER & MFR CODE	(4) UNIT OF MEAS	(5) QTY INC IN UNIT	(6) 30-DAY DS MAINT ALLOWANCE			(7) 30-DAY GS MAINT ALLOWANCE			(8) 1-YR ALW PER 100 EQUIP CNTGY	(9) DEPOT MAINT ALW PER 100 EQUIP	(10) ILLUS- TRATION					
					(a)	(b)	(c)	(a)	(b)	(c)			(a)	(b)				
					1-20	21-50	51-100	1-20	21-50	51-100			FIG. NO.	ITEM NO.				
X20 00160	5310-584-5005	NUT CLINCH: TANK MTG, 1/4 X 1 1/4 SCREW (78385) 648-0064	EA	6									5	10				
O 00161		NUT, PLAIN, HEXAGON: STUD MTG, 1/4-20 THD SIZE, CHROMATE (96906) MS35690-405	EA	50									5	14				
O 00162		SCREW, MACHINE: TANK MTG, PAN HEAD 1/4 x 1 1/4-28 IN. THD SIZE (96906) MS35224-84	EA	2									5	9				
X20 00163		STUD: TEE MTG, 3/4 IN. X 3/4-20 IN. THD SIZE (09523) 628-0007	EA	1									5	12				
X20 00164		TANK ASSEMBLY (78385) 4457-0012	EA	1									5	7				
P O 00165		2910-605-1353	CAP ASSEMBLY, TANK (78385) 408-0167	EA	1	*	*	2	*	*	2	10	5	5	4			
X1 00166			CHAIN: CAP TO TANK, BRASS No. 10, 6 IN. LG (78385) COML	EA	1									5	1			
X20 00167			GROMMET, TANK FILTER (78385) 448-0492	EA	1									5	27			
O 00168			RIVET, BLIND: CHAIN TO CAP AND TO TANK (78385) 648-0042-10	EA	9									5	3			
O 00169			5310-194-1548	WASHER, FLAT: CHAIN TO TANK AND CAP, 1/8 IN. HOLE (96906) MS15795-205	EA	1									5	2		
X20 00170	TEE, FEMALE: TANK LINE TO STREET TEE (45681) 628-0055			EA	1									5	11			
X20 00171	TEE, STREET: FEMALE TEE TO CONNECTOR (04255) 628-0058			EA	1									5	16			
P20 00172	2910-083-9260			TUBE, ASSEMBLY: SHUTOFF VALVE TO ENGINE (78385) 428-0199	EA	1	*	*	*	*	*	*	5	5	5	6		
X20 00173				TUBE ASSEMBLY: TANK TO SHUTOFF VALVE (78385) 428-0309	EA	1									5	18		
O 00174				5310-582-5965	WASHER, LOCK: STUD MTG, .250 ID, .493 OD, .062 THK (96906) MS35338-44	EA	13									5	13	
00175		0308 - ENGINE SPEED GOVERNOR AND CONTROLS																
P F 00176		3110-183-6719			BEARING, NEEDLE: GOVERNOR SHAFT (60380) M451-OH	EA	1	*	*	2	*	*	2	10	50	4	7	
X20 00177					BRACKET: SPEED CONTROL (34199) 230477	EA	1									4	29	
X2F 00178					2990-670-4592	BUSHING: DISC (34199) 230476	EA	1									4	27
X2F 00179			DISC REGULATOR: GOVERNOR SPEED (34199) 230149			EA	1									4	38	
P2F 00180			2805-941-6761			GEAR, GOVERNOR (34199) A235157	EA	1	*	*	*	*	*	*	5	10	4	5
X20 00181						LEVER: GOVERNOR SPEED (34199) 232616	EA	1									4	23
X20 00182	LINKAGE: GOVERNOR (34199) 231581					EA	1									4	22	



(1) SMR CODE	(2) FEDERAL STOCK NUMBER	(3) DESCRIPTION  USABLE ON CODE  REF NUMBER & MFR CODE	(4) UNIT OF MEAS	(5) QTY INC IN UNIT	(6) 30-DAY DS MAINT ALLOWANCE			(7) 30-DAY GS MAINT ALLOWANCE			(8) 1-YR ALW PER 100 EQUIP CNTGY	(9) DEPOT MAINT ALW PER 100 EQUIP	(10) ILLUS- TRATION	
					(a)	(b)	(c)	(a)	(b)	(c)			(a)	(b)
					1-20	21-50	51-100	1-20	21-50	51-100			FIG. NO.	ITEM NO.
O 00183	5310-584-5005	NUT, PLAIN, HEXAGON: LEVER SCREW, 1/4-20 THD SIZE CHROMATE (34199) X81-1	EA	1									4	25
X20 00184		PIN, STOP: GOVERNOR (34199) 231355	EA	1									4	39
O 00185		SCREW, CAP, HEXAGON HEADED: GOVERNOR SPEED LEVER, 1/4-20 THD SIZE, 1 IN. LG (34199) X5-7	EA	1									4	37
P2F 00186	2990-607-6533	SHAFT, GOVERNOR (34199) A230540	EA	1	*	*	*	*	*	*	5	5	4	30
P O 00187	2990-083-9296	SPRING, GOVERNOR (34199) 232618	EA	1	*	*	2	*	*	2	6	8	4	26
X2F 00188		WASHER, FLAT: GOVERNOR BRASS (34199) X25-13	EA	1									4	6
F 00189		WASHER: GOVERNOR SHAFT, 1/4 FLAT (34199) X25-58	EA	1									4	8
O 00190		WASHER, FLAT: LEVER SCREW, 1/4 IN. SCREW SIZE (34199) X25-72	EA	2									4	24
O 00191		WASHER, FLAT: STOP, PIN, 1/4 FLAT WASHER (34199) X25-12	EA	1									4	31
00192		0309 - FUEL FILTERS												
P O 00193	2910-099-5639	FILTER ASSEMBLY: FUEL (00165) 830	EA	1	*	*	2	*	*	2	10	5		
X20 00194		BAIL ASSEMBLY (00165) 830-3B	EA	1									5	20
P O 00195	2910-076-1388	BOWL, GLASS (00165) 830-2B	EA	1	2	2	3	2	2	3	30	10	5	21
P O 00196	5330-081-6400	GASKET, BOWL (00165) 830-10A	EA	1	4	8	17	4	8	17	200	100	5	22
P O 00197	2910-358-5327	SCREEN, FILTER (00165) 830S	EA	1	*	2	2	*	2	2	20	20	5	23
X20 00198		TOP, FILTER (00165) 830-1	EA	1									5	24
X20 00199		VALVE ASSEMBLY (00165) 830-6-7-8	EA	1									5	26
00200		0312 - THROTTLE OR CHOKE CONTROL												
X20 00201		CLIP, CABLE (34199) 210149	EA	1									4	1
X20 00202		CONTROL ASSEMBLY: GOVERNOR (34199) 230326-2	EA	1									4	9
O 00203		NUT, PLAIN, HEXAGON: CLIP MTG, 1/4-20 THD SIZE (34199) X72-4	EA	1									4	3
X20 00204		SCREW: CONTROL MTG, 1/4 x 1 IN. LG (34199) X67-3	EA	1									4	10
O 00205		SCREW, MACHINE: CLIP MTG, 3/16 x 1/2 NF THD (34199) X15-12	EA	1									4	28
O 00206		WASHER, LOCK: CLIP MTG, 1/4 IN. (34199) X18-2	EA	1									4	2

(1) SMR CODE	(2) FEDERAL STOCK NUMBER	(3) DESCRIPTION  REF NUMBER & MFR CODE	(4) USABLE ON CODE UNIT OF MEAS	(5) QTY INC IN UNIT	(6) 30-DAY DS MAINT ALLOWANCE			(7) 30-DAY GS MAINT ALLOWANCE			(8) 1-YR ALW PER 100 EQUIP CNTGY	(9) DEPOT MAINT ALW PER 100 EQUIP	(10) ILLUS- TRATION	
					(a)	(b)	(c)	(a)	(b)	(c)			(a)	(b)
					1-20	21-50	51-100	1-20	21-50	51-100			FIG. NO.	ITEM NO.
00207		GROUP 04 - EXHAUST SYSTEM												
00208		0401 - MUFFLER AND PIPES												
X1 00209		GASKET: MUFFLER MTG (34199) 231090 (COMPONENT OF KIT, GASKET STOCK No. (34199) 231090 SEE GROUP 0100)	EA	1									1	40
P O 00210	2990-083-9297	MUFFLER, EXHAUST (34199) A230943	EA	1	*	*	2	*	*	2	10	50	1	36
O 00211		NUT, PLAIN, HEXAGON: MUFFLER MTG, 5/16-18 THD SIZE (34199) X82-2	EA	2									1	39
X20 00212		STUD, PLAIN: MUFFLER MTG, 5/16 x 2 IN. LG NC THD SIZE (34199) 230909	EA	2									1	41
00213		GROUP 05 - COOLING SYSTEM												
00214		0502 - COWLING, DEFLECTORS, AIR DUCTS, SHROUDS												
X20 00215		BAFFLE: CYLINDER HEAD (34199) 230049	EA	1									1	1
X20 00216		BAFFLE: SIDE AIR (34199) 230757	EA	1									1	69
X20 00217		HOUSING, BLOWER (34199) 232695	EA	1									1	66
X20 00218		PLATE, BAFFLE (78385) 300159	EA	1									2	7
O 00219		SCREW, CAP, HEXAGON HEAD: SIDE AIR BAFFLE MTG, 1/4-20 THD SIZE, 3/4 IN. LG (34199) X132-2	EA	4									1	70
00220		GROUP 06 - ELECTRICAL SYSTEM												
00221		0605 - IGNITION COMPONENTS												
P O 00222	2920-564-2508	BREAKER ASSEMBLY (34199) A220474	EA	1	2	4	8	2	4	8	100	100	1	31
X1 00223		BRACKET, BREAKER (34199) 220476	EA	1										
X1 00223A	2920-580-9265	POINTS (34199) 220475	EA	1										
X1 00224		SCREW, MACHINE: BREAKER POINTS (34199) X155-1	EA	1										
P O 00225	5935-919-5930	CABLE, SPARK PLUG (34199) A231408	EA	1	*	*	2	*	*	2	10	10	1	3
P O 00226	2920-023-5167	COIL, IGNITION (34199) FG6547	EA	1	*	*	2	*	*	2	10	10	1	55
P O 00227	5910-780-8781	CONDENSER, IGNITION (00818) FG6548	EA	1	2	4	8	2	4	8	100	100	1	54
P O 00228	2920-608-0079	COVER ASSEMBLY: BREAKER (34199) A220136	EA	1	*	*	2	*	*	2	6	10	1	33

(1) SMR CODE	(2) FEDERAL STOCK NUMBER	(3) DESCRIPTION  USABLE ON CODE	(4) UNIT OF MEAS	(5) QTY INC IN UNIT	(6) 30-DAY DS MAINT ALLOWANCE			(7) 30-DAY GS MAINT ALLOWANCE			(8) 1-YR ALW PER 100 EQUIP CNTGY	(9) DEPOT MAINT ALW PER 100 EQUIP	(10) ILLUS- TRATION	
					(a)	(b)	(c)	(a)	(b)	(c)			(a)	(b)
					1-20	21-50	51-100	1-20	21-50	51-100			FIG. NO.	ITEM NO.
X1 00229	2920-573-9992	GASKET: BREAKER COVER (34199) 220174 (COMPONENT OF KIT, GASKET, STOCK No. (34199) 220174, SEE GROUP 0100)	EA	1									1	29
X2F 00230		LEAD: BREAKER (34199) A231982	EA	1									1	32
P O 00231	2920-288-3126	PLUG, SPARK (11583) XMJ14	EA	1	4	8	17	4	8	17	200	100	1	2
X2F 00232		ROD, BREAKER (34199) X389-2	EA	1									1	30
X20 00233		ROTOR, MAGNET (00818) F5215	EA	1									1	61
F 00234		SCREW, CAP, HEXAGON HEAD: POLE SHOE MTG, 1/4-20 THD SIZE, 1 IN. LONG (34199) x132-4	EA	2									1	56
O 00235		SCREW, MACHINE: BREAKER COVER MTG No. 10-24 THD SIZE, 3/8 IN. LG (34199) X131-1	EA	4									1	34
X20 00236		SLEEVE (34199) 230334	EA	1										
X20 00237		STATOR ASSEMBLY (00818) FG5221	EA	1										
X20 00238	5310-043-1702	WASHER, TENSION: ROTOR, 1/4 IN. SCREW SIZE (34199) 230148	EA	1									1	62
00239		0607 - INSTRUMENT OR ENGINE CONTROL PANEL												
O 00240		NUT, SELF-LOCKING: CLAMP AND PANEL MTG, 1/4 X 5/8, No. 20 THD SIZE (96906) MS20365-1032C	EA	13									9	17
O 00241		NUT, SELF-LOCKING: RECEPTACLE MTG, 1/4 x 3/4, No. 20 THD SIZE (96906) MS20365-440C	EA	4									9	27
X20 00242		PANEL ASSEMBLY (78385) 4457-0013	EA	1										
X20 00243		RECEPTACLE, PANEL (02660) 690R10SL4P	EA	1									9	25
O 00244	5305-622-1509	SCREW, MACHINE.: PANEL MTG, PAN HEAD, 1/4 x 3/4, No. 20 THD SIZE (96906) MS35224-63	EA	11									9	24
O 00245	5305-543-5743	SCREW, MACHINE: PANEL MTG, PAN HEAD, 3/4-32 NF THD SIZE CHROMATE (96906) MS35224-65	EA	1									9	18
O 00246	5305-638-3438	SCREW, MACHINE: RECEPTACLE MTG, PAN HEAD, 1/4 x 1, No. 20 THD SIZE (96906) MS35223-15	EA	1									9	28
00247		GROUP 11 - REAR AXLE												
00248		1100 - REAR AXLE ASSEMBLY												
O 00249	5310-584-5005	NUT, PLAIN, HEXAGON: AXLE U-BOLT, 1/4-20 THD SIZE, CHROMATE (96906) MS35690-405	EA	4									6	2

(1) SMR CODE	(2) FEDERAL STOCK NUMBER	(3) DESCRIPTION  REF NUMBER & MFR CODE	(4) USABLE ON CODE UNIT OF MEAS	(5) QTY INC IN UNIT	(6) 30-DAY DS MAINT ALLOWANCE			(7) 30-DAY GS MAINT ALLOWANCE			(8) 1-YR ALW PER 100 EQUIP CNTGY	(9) DEPOT MAINT ALW PER 100 EQUIP	(10) ILLUS- TRATION	
					(a)	(b)	(c)	(a)	(b)	(c)			(a)	(b)
					1-20	21-50	51-100	1-20	21-50	51-100			FIG. NO.	ITEM NO.
X20 00250		SHAFT, AXLE: TRAILER (78385) 412-0094	EA	1									6	6
X20 00251		SPACER: AXLE MTG (78385) 430-0090	EA	2									6	4
X20 00252		SPACER, RUBBER: AXLE MTG (78385) 430-0097	EA	1									6	4
X20 00253		U-BOLT: AXLE MTG (78385) 648-0066	EA	2									6	39
O 00254	5310-582-5965	WASHER, LOCK: AXLE MTG, .250 ID x .493 OD X .062 THK (96906) MS35338-44	EA	13									6	3
00255		GROUP 12 - BRAKES												
00256		1206 - RODS, SHAFT, SPRINGS, PEDAL												
X20 00257		FOOT, LANDING: BRAKE (78385) 417-0063	EA	1									6	26
X20 00258		LEVER, BRAKE: YOKE TO SHAFT (78385) 407-0201	EA	2									6	21
X20 00259		LINK ASSEMBLY: FOOT TO PEDAL (78385) 4417-0014	EA	1									6	25
O 00260	5310-012-0368	NUT, PLAIN, HEXAGON: BRAKE ROD, 5/16 FINE THD (96906) MS35690-525	EA	2									6	41
X20 00261		PEDAL ASSEMBLY: BRAKE (78385) 4460-0002	EA	1									6	33
O 00262		PIN, COTTER: YOKE PIN RETAINING (88044) AN381-3-8	EA	4									6	18
O 00263		PIN, SPRING: BRAKE LEVER (96906) MS171534	EA	2									6	20
O 00264		PIN, SPRING: BRAKE SHOE (96906) MS171650	EA	2									6	5
O 00265		PIN, SPRING: FOOT (96906) MS171592	EA	1									6	31
O 00266		PIN, STRAIGHT, HEADLESS: PEDAL TO SUPPORT (78385) 448-0496	EA	1									6	34
O 00267		PIN, STRAIGHT, HEADLESS: FOOT TO PEDAL (78385) 448-0497	EA	1									6	32
X20 00268	5340-282-1633	RING, RETAINING: PEDAL TO SUPPORT (96906) MS16633-1018	EA	2									6	23
X20 00269	5340-721-7680	RING, RETAINING: PIN (96906) MS16633-1025	EA	4									6	24
X20 00270		ROD, BRAKE: YOKE TO YOKE (78385) 407-0207	EA	2									6	42
O 00271		SCREW, CAP, HEXAGON HEAD: SUPPORT TO CHASSIS, 3/8 x 3/4 NC THD SIZE (96906) MS35298-6	EA	1									6	35
X20 00272		SHAFT, BRAKE (78385) 412-0095	EA	1									6	22
X20 00273		SHOE, BRAKE (78385) 4407-0038	EA	2									6	10

(1) SMR CODE	(2) FEDERAL STOCK NUMBER	(3) DESCRIPTION  REF NUMBER & MFR CODE	(4) USABLE ON CODE UNIT OF MEAS	(5) QTY INC IN UNIT	(6) 30-DAY DS MAINT ALLOWANCE			(7) 30-DAY GS MAINT ALLOWANCE			(8) 1-YR ALW PER 100 EQUIP CNTGY	(9) DEPOT MAINT ALW PER 100 EQUIP	(10) ILLUS- TRATION	
					(a)	(b)	(c)	(a)	(b)	(c)			(a)	(b)
					1-20	21-50	51-100	1-20	21-50	51-100			FIG. NO.	ITEM NO.
X20 00274		SPRING, BRAKE (78385) 425-0128	EA	2									6	43
X20 00275		YOKE, BRAKE: ROD TO LEVER (78385) 407-0232	EA	2									6	17
X20 00276		YOKE, BRAKE: ROD TO SHOE (78385) 607-0003	EA	2									6	40
00277		GROUP 13 - WHEELS												
00278		1311 - WHEEL ASSEMBLY												
X20 00279		NUT, CASTELLATED: WHEEL TO AXLE, 3/4-16 NF THD SIZE (78385) 448-0473	EA	2									6	12
O 00280	5315-845-7787	PIN, COTTER: NUT RETAINING, 3/32 DIA, 1 1/2 LG, CADMIUM PLATE (88044) AN380-3-6	EA	2									6	14
X20 00281	5340-282-0814	RING, RETAINING: BACKUP SPACER (96906) MS16633-75	EA	2									6	7
X20 00282		SPACER, BACKUP: BEARING (78385) 430-0090	EA	2									6	8
O 00283	5310-543-4890	WASHER, FLAT: WHEEL TO AXLE, 3/4 FLAT (96906) MS15795-222	EA	2									6	11
X20 00284		WHEEL ASSEMBLY (94189) 81073132	EA	2									6	9
X20 00285		CAP, DUST (94189) 3477	EA	2									6	13
X1 00286		CLOSURE, CAP (94189) 3480	EA	2										
X1 00287		CONE, BEARING (60038) LM11949	EA	4										
X1 00288		CUP, BEARING (60038) LM11910	EA	4										
X20 00289		DISC WHEEL (94189) 3832	EA	2										
X20 00290		HUB, WHEEL (94189) 3741	EA	2										
X20 00291		RIM, WHEEL (94189) 1307	EA	2										
X1 00292		WHEEL, HALF (94189) 3753	EA	2										
00293		1313 - TIRES, TUBES												
P O 00294	2610-050-9560	TIRE, PNEUMATIC (96906) MS35389-1	EA	2	*	*	2	*	*	2	6	5	6	15
P O 00295	2610-051-9114	TUBE, TIRE (96906) MS35392-48	EA	1	*	*	2	*	*	2	6	15	6	16
00296		GROUP 15 - FRAME												
00297		1501 - FRAME ASSEMBLY												
X2F 00298		CHASSIS ASSEMBLY (78385) 4460-0001	A EA	1									6	

(1) SMR CODE	(2) FEDERAL STOCK NUMBER	(3) DESCRIPTION  REF NUMBER & MFR CODE	USABLE ON CODE	(4) UNIT OF MEAS	(5) QTY INC IN UNIT	(6) 30-DAY DS MAINT ALLOWANCE			(7) 30-DAY GS MAINT ALLOWANCE			(8) 1-YR ALW PER 100 EQUIP CNTGY	(9) DEPOT MAINT ALW PER 100 EQUIP	(10) ILLUS- TRATION	
						(a)	(b)	(c)	(a)	(b)	(c)			(a)	(b)
						1-20	21-50	51-100	1-20	21-50	51-100			FIG. NO.	ITEM NO.
X2F 00299		FRAME ASSEMBLY (78385) 4407-0042	A	EA	1									6	1
X2F 00300		CHASSIS ASSEMBLY (78385) 4460-0003	B	EA	1									6	
X2F 00301		FRAME ASSEMBLY (78385) 4407-0070	B	EA	1									6	1
X20 00302		BRACKET ASSEMBLY: BRAKE SUPPORT MOUNTING (78385) 407-0036		EA	2									6	19
O 00303		NUT, FLEXIBLE, LOCK: TIE DOWN RING MTG, 1/4 IN., 20 NC (56878) 21FK518		EA	4									7	36
O 00304	5310-584-5005	NUT, PLAIN, HEXAGON: BRACKET MTG, 1/4-20 THD SIZE, CHROMATE (96906) MS35690-405		EA	4									6	2
X20 00305		RING, TIE DOWN (78385) 648-0062		EA	4									7	8
O 00306		SCREW, CAP, HEXAGON HEAD: BRACKET MTG, 1/4 x 1-20 THD SIZE (96906) MS35297-6		EA	4									6	38
X2F 00307		SCREW, CAP: SUPPORT MTG, 1/4 x 1 NC THD SIZE (96906) MS35297-6		EA	4									6	37
X2F 00308		SUPPORT, BRAKE (78385) 4407-0035		EA	1									6	36
X20 00309		WASHER, CUSHION: TIE DOWN RING (78385) 448-0503		EA	4									7	7
O 00310	5310-081-4219	WASHER, FLAT: TIE DOWN RING MTG, FOR 1/4 IN. SCREW (96906) MS15795-212		EA	4									7	35
F 00311	5310-582-5965	WASHER, LOCK: SUPPORT MTG, .250 ID, .493 OD, .062 THICK (96906) MS35338-44		EA	13									6	3
O 00312	5310-582-5965	WASHER, LOCK: BRACKET MTG .250 ID, .493 OD, .062 THICK (96906) MS35338-44		EA	4									6	3
00313		1503 - PINTLE AND TOWING													
X20 00314		BAR, TOW (78385) 4407-0039	A	EA	1									7	25
X20 00315		BAR, TOW (78385) 4407-0068	B	EA	1									7	25
X20 00316		BRACKET, TOW (78385) 407-0218		EA	2									7	18
X20 00317		HANDLE, TOW (78385) 4407-0040		EA	1									7	27
O 00318	5310-012-0376	NUT, PLAIN, HEXAGON: TOW BAR BRACKET, 5/16-18 THD SIZE, CHROMATE (96906) MS35690-505		EA	6									7	23
X20 00319		PIN, BALL LOCK (78385) 617-0001		EA	2									7	32
X20 00320		PIN, BALL LOCK (78385) 617-0002		EA	2									7	30

(1) SMR CODE	(2) FEDERAL STOCK NUMBER	(3) DESCRIPTION  REF NUMBER & MFR CODE	(4) UNIT OF MEAS	(5) QTY INC IN UNIT	(6) 30-DAY DS MAINT ALLOWANCE			(7) 30-DAY GS MAINT ALLOWANCE			(8) 1-YR ALW PER 100 EQUIP CNTGY	(9) DEPOT MAINT ALW PER 100 EQUIP	(10) ILLUS- TRATION	
					(a)	(b)	(c)	(a)	(b)	(c)			(a)	(b)
					1-20	21-50	51-100	1-20	21-50	51-100			FIG. NO.	ITEM NO.
X20 00321		PIN, HANDLE (78385) 417-0064	EA	2									7	34
X20 00322		PIN, TOW BAR (78385) 417-0065	EA	2									7	28
X20 00323	5340-256-2465	RING, RETAINING: HANDLE (96906) MS16633-1037	EA	4									7	33
X20 00324	5340-442-5845	RING, RETAINING: TOW BAR (96906) MS16633-1050	EA	4									7	29
X20 00325		RIVET: BALL LOCK AND PIN (78385) 648-0042-4	A	EA	4								7	31
X20 00326		RIVET: BALL LOCK AND PIN (78385) 648-0042-10	B	EA	4								7	31
O 00327	5306-543-4308	SCREW, CAP, HEXAGON HEAD: TOW BAR BRACKET, 5/8 LG (96906) MS35297-31	EA	6									7	26
O 00328	5310-167-0721	WASHER, LOCK: TOW BAR BRACKET, INTERNAL TOOTH, .320 ID, .594 OD, 0.28 THK (96906) MS35333-41	EA	10									7	24
00329		1507 - SUPPORT STAND												
X20 00330		FOOT, BASE (78385) 130A0944	EA	1									6	27
O 00331		SCREW, CAP, HEXAGON HEAD: FOOT MTG, 1/4 x 3/4 NC THD SIZE (96906) MS35297-33	EA	1									6	30
O 00332	5310-407-9566	WASHER, LOCK: FOOT MTG, .319 ID, .591 OD, .078 THICK (88044) AN935-516	EA	1									6	29
X20 00333		WASHER, SPACER: FOOT MTG (78385) 130A0977	EA	1									6	28
00334		GROUP 18 - BODY, CAB, HOOD AND HULL												
00335		1801 - BODY, CAB, HOOD												
O 00336	5306-150-9221	BOLT, MACHINE: CENTER DOOR MTG, 15/32 LG, THREADED 13/32 (88044) AN3-3A	EA	8									7	14
X20 00337		COVER ASSEMBLY: COMPRESSOR (78385) 4408-0041	A	EA	1									
X20 00338		DOOR ASSEMBLY: CENTER (78385) 4408-0042	A	EA	1								7	13
X20 00339		DOOR ASSEMBLY: CENTER (78385) 4408-0061	B	EA	2								7	13
X20 00340		DOOR ASSEMBLY: FRONT (78385) 4408-0059	B	EA	2								7	17
X20 00341		DOOR ASSEMBLY: FRONT LEFT (78385) 4408-0048	A	EA	1								7	17
X20 00342		DOOR ASSEMBLY: FRONT RIGHT (78385) 4408-0043	A	EA	1								7	17
X20 00343		DOOR ASSEMBLY: REAR (78385) 4408-0044	A	EA	1								7	1

(1) SMR CODE	(2) FEDERAL STOCK NUMBER	(3) DESCRIPTION  REF NUMBER & MFR CODE	USABLE ON CODE	(4) UNIT OF MEAS	(5) QTY INC IN UNIT	(6) 30-DAY DS MAINT ALLOWANCE			(7) 30-DAY GS MAINT ALLOWANCE			(8) 1-YR ALW PER 100 EQUIP CNTGY	(9) DEPOT MAINT ALW PER 100 EQUIP	(10) ILLUS- TRATION	
						(a)	(b)	(c)	(a)	(b)	(c)			(a)	(b)
						1-20	21-50	51-100	1-20	21-50	51-100			FIG. NO.	ITEM NO.
X20 00344		DOOR ASSEMBLY: REAR (78385) 4408-0060	A	EA	2									7	1
X20 00345		HOUSING ASSEMBLY: CENTER (78385) 4408-0057	B	EA	1									7	5
X20 00346		HOUSING ASSEMBLY: REAR (78385) 4408-0056		EA	1									7	9
X20 00347		HOUSING ASSEMBLY: FRONT (78385) 4408-0058	B	EA	1									7	2
O 00348	5310-584-5005	NUT, PLAIN, HEXAGON: COVER ASSEMBLY MTG, 1/4-20 THD SIZE, CHROMATE (96906) MS35690-405		EA	20									7	3
O 00349	5310-012-0614	NUT, PLAIN, HEXAGON: DOOR MTG, 10-32 THD SIZE (96906) MS35650-102		EA	8									7	16
O 00350	5310-584-5005	NUT, PLAIN, HEXAGON: END MTG, 1/4-20 THD SIZE (96906) MS35690-405		EA	1									7	20
O 00351	5310-584-5005	NUT, PLAIN, HEXAGON: HOUSING MTG, 1/4-20 THD SIZE (96906) MS35690-405	B	EA	33									7	3
X20 00352		NUT, SPEED: CENTER HOUSING MTG (78385) 648-0080	B	EA	4									7	37
O 00353		NUT, SELF-LOCKING: SPRING MTG, 1/4 20 THD SIZE (96906) MS20364-1032C		EA	16									7	11
X20 00354		PANEL, END (78385) 408-0198		EA	1									7	19
X20 00355		RIVET, BLIND: DOOR MTG (78385) 648-0042-1	B	EA	32										
X20 00356		RIVET, BLIND: DOOR MTG (78385) 648-0042-1	A	EA	16										
O 00357		SCREW, MACHINE: COVER ASSEMBLY MTG, 1/4 x 5/8 NC THD SIZE (96906) MS35223-80	A	EA	20									7	6
O 00358		SCREW, MACHINE: END PANEL MTG, PAN HEAD, 1/4 x 5/8 NC THD SIZE (96906) MS35223-80		EA	1									7	22
O 00359		SCREW, MACHINE: HOUSING MTG, 1/4 x 3/4 NC THD SIZE (96906) MS35223-80	B	EA	37									7	6
O 00360	5305-622-1509	SCREW, MACHINE: SPRING MTG, 3/16 x 7/16 NC THD SIZE (96906) MS35224-63		EA	16									7	10
X20 00361		SPRING, DOOR RETAINING (78385) 625-0002		EA	4									7	12
O 00362	5310-809-3078	WASHER, FLAT: HOUSING AND COVER ASSEMBLY MTG, 3/16 FLAT (96906) MS15795-211		EA	13									7	38
O 00363	5130-550-1130	WASHER, LOCK: COVER ASSEMBLY MTG, INTERNAL TOOTH, .250 ID, .460 OD, .023 THK (96906) MS35333-40	A	EA	20									7	4
O 00364		WASHER, LOCK: DOOR MTG, 3/16, FLAT (96906) MS35338-43		EA	8									7	15



(1) SMR CODE	(2) FEDERAL STOCK NUMBER	(3) DESCRIPTION  REF NUMBER & MFR CODE	(4) USABLE ON CODE UNIT OF MEAS	(5) QTY INC IN UNIT	(6) 30-DAY DS MAINT ALLOWANCE			(7) 30-DAY GS MAINT ALLOWANCE			(8) 1-YR ALW PER 100 EQUIP CNTGY	(9) DEPOT MAINT ALW PER 100 EQUIP	(10) ILLUS- TRATION		
					(a)	(b)	(c)	(a)	(b)	(c)			(a)	(b)	
					1-20	21-50	51-100	1-20	21-50	51-100			FIG. NO.	ITEM NO.	
O 00365	5310-550-1130	WASHER, LOCK: END PANEL MTG, INTERNAL TOOTH, .250 ID, .460 OD, .023 THK (96906) MS35333-40		EA	1								7	21	
O 00366	5310-550-1130	WASHER, LOCK: HOUSING MTG, INTERNAL TOOTH, .250 ID, .460 OD, .023 THK (96906) MS35333-40	B	EA	33								7	4	
00367		GROUP 22 - BODY CHASSIS OR HULL, AND ACCESSORY ITEMS													
00368		2202 - ACCESSORY ITEMS													
O 00369	4730-278-3905	BUSHING, REDUCER: NIPPLE TO SOCKET (88044) AN912-1C		EA	1								16	8	
P O 00370	4730-536-3486	CHUCK ASSEMBLY: AIR HOSE (53477) 4784		EA	1	*	*	2	*	*	2	10	15	16	17
X20 00371		FITTING, REDUCER: HOSE TO VALVE (78385) 3800366		EA	1								16	18	
P O 00372	4720-946-8220	HOSE ASSEMBLE: NIPPLE TO FITTING (96906) MS28759E2400		EA	1	*	*	2	*	*	2	6	15	16	11
O 00373	4720-083-8064	HOSE ASSEMBLY: VALVE TO CHUCK, 10 IN. LG (09523) 3-16-4ABZ101-4AFZS		EA	1	*	*	2	*	*	2	6	15	16	16
O 00374	4730-187-0840	NIPPLE: HOSE TO SOCKET (88044) AN816-4		EA	3								16	10	
X20 00375		RETAINER: AIR HOSE TO RACK (78385) 130D3582		EA	1								16	2	
P O 00376	4730-090-9249	SOCKET, HALF COUPLING: AIR HOSE ATTACHING (78385) 407-0208		EA	1	*	*	2	*	*	2	6	10	16	9
P O 00377	4820-678.-9467	VALVE, SERVICE: AIR HOSE (58553) 5669		EA	1	*	*	2	*	*	2	10	10	16	15
00378		2210 - DATA PLATES													
X20 00379		DECAL, CAUTION (78385) 434-0204		EA	1										
X20 00380		DECAL, INSTRUCTION (78385) 434-0201		EA	1										
X20 00381		DECAL, OIL: COMPRESSOR (78385) 434-0203		EA	1										
X20 00382		DECAL, SCHEMATIC (78385) 434-0200		EA	1										
X20 00383		NAMEPLATE: BACK PRESSURE VALVE (78385) 2670127		EA	1										
X20 00384		NAMEPLATE: CHECK VALVE (78385) 140A1114		EA	1										
X20 00385		NAMEPLATE: DEHYDRATOR HOSE (78385) 3370632		EA	1										
X20 00386		NAMEPLATE: FAN GUARD (78385) 3260333		EA	1										
X20 00387		NAMEPLATE: PRESSURE RELIEF VALVE (78385) 116B115		EA	2										
X2F 00388		PLATED, IDENTIFICATION (78385) 634-0006		EA	1										

(1) SMR CODE	(2) FEDERAL STOCK NUMBER	(3) DESCRIPTION  REF NUMBER & MFR CODE	(4) USABLE ON CODE UNIT OF MEAS	(5) QTY INC IN UNIT	(6) 30-DAY DS MAINT ALLOWANCE			(7) 30-DAY GS MAINT ALLOWANCE			(8) 1-YR ALW PER 100 EQUIP CNTGY	(9) DEPOT MAINT ALW PER 100 EQUIP	(10) ILLUS- TRATION	
					(a)	(b)	(c)	(a)	(b)	(c)			(a)	(b)
					1-20	21-50	51-100	1-20	21-50	51-100			FIG. NO.	ITEM NO.
X20 00389		PLATE, IDENTIFICATION: COMPRESSOR (78385) 3800497	EA	1										
X20 00390		PLATE, INSTRUCTION: COMPRESSOR (78385) 434-0229	EA	1										
O 00391		RIVET: PLATE MTG (78385) 648-0042-10	EA	4										
O 00392		SCREW, DRIVE: DEHYDRATOR HOSE NAMEPLATE MTG (82224) COHL	EA	2										
O 00393	5305-253-5609	SCREW DRIVE: PLATE MTG, No. 2 SCREW, 1/8 IN. LG (88044) AN535-2-2	EA	6										
O 00394	5305-558-7361	SCREW, MACHINE: FAN GUARD NAMEPLATE MTG, 5/16-2A TWO SIZE, CHROMATE (96906) MS35223-42	EA	3										
X20 00395		TAG, INSTRUCTION (78385) 434-0191	EA	1										
O 00396	5310-559-0070	WASHER, LOCK: NAMEPLATE MTG, .164 ID, .325 OD, .018 THK (96906) MS35333-38	EA	3										
00397		GROUP 47 - GAGES, NON ELECTRICAL, WEIGHING AND MEASURING DEVICES												
00398		4702 - GAGES, LINES AND FITTINGS												
P20 00399	6685-065-0092	GAGE PRESSURE: OUTLET (61349) AW217J	EA	1	*	*	*	*	*	*	5	5	9	31
P20 00400	6685-553-1995	GAGE PRESSURE: OUTLET (61349) AW21814AC01	EA	1	*	*	*	*	*	*	5	5	9	26
P20 00401	6685-727-8698	GAGE PRESSURE: RECEIVER (61349) AW817AC01	EA	1	*	*	*	*	*	*	5	5	9	22
O 00402	5310-526-0696	NUT, SELF-LOCKING: GAGE MTG, 1/8 NC THD SIZE (96906) MS20364-632A	EA	4									9	32
O 00403		SCREW, MACHINE: GAGE MTG, FILLISTER HEAD, 1/8 x 5/8 NC THD SIZE (88044) AN500-6-12	EA	12									9	23
00404		GROUP 50 - PNEUMATIC EQUIPMENT												
00405		5000 - AIR COMPRESSOR ASSEMBLY												
P2F T 00406	4310-930-5922	COMPRESSOR ASSEMBLY, AIR (78385) 3800400-3-1	A	EA	1	*	*	*	*	*	5	5	2	16
P2F T 00407	4310-066-0916	COMPRESSOR ASSEMBLY, AIR (78385) 3800400-6	B	EA	1	*	*	*	*	*	5	5	2	16
F 00408		SCREW, CAP, COMPRESSOR MOUNTING: 5/16 x 3/4 NF THD SIZE (96906) MS35298-32		EA	4								2	19
X2F 00409		SPACER, DRIVE PAD: COMPRESSOR MTG, (78385) 3260438		EA	2								2	12
F 00410	5310-167-0721	WASHER, LOCK: COMPRESSOR MTG, INTERNAL TOOTH, .320 ID, .594 OD, .028 THK (96906) M35333-41		EA	10								2	20

(1) SMR CODE	(2) FEDERAL STOCK NUMBER	(3) DESCRIPTION  USABLE ON CODE		(4) UNIT OF MEAS	(5) QTY INC IN UNIT	(6) 30-DAY DS MAINT ALLOWANCE			(7) 30-DAY GS MAINT ALLOWANCE			(8) 1-YR ALW PER 100 EQUIP CNTGY	(9) DEPOT MAINT ALW PER 100 EQUIP	(10) ILLUS- TRATION		
						(a)	(b)	(c)	(a)	(b)	(c)			(a)	(b)	
						1-20	21-50	51-100	1-20	21-50	51-100			FIG. NO.	ITEM NO.	
00411		5001 - CRANKCASE, CYLINDER, CYLINDER HEAD														
X20 00412	1040-921-5294	CAP ASSEMBLY: SECOND STAGE (78385) 4408-0054		B	EA	1										
X2F 00413	1040-906-7907	CAP, CYLINDER (78385) 408-0165		B	EA	1								8	52	
P F 00414	5340-109-7764	DISC, RUPTURE (06370) D494		B	EA	1	*	*	2	*	*	2	6	10	8	53
P F 00415	4310-433-3003	RING, RETAINER: DISC (06370) A2617-2		B	EA	1	*	*	2	*	*	2	6	10	8	54
X2F 00416		SCREW, MACHINE: DISC HOLD-DOWN 1 1/2 x 3/16 NC THD SIZE (78385) 448-0491			EA	1									8	55
X2F 00417	4310-979-9281	CAP, CYLINDER: SECOND STAGE (78385) 3260159		A	EA	1									8	52
X2F 00418	4310-979-9279	CAP, CYLINDER: THIRD STAGE (78385) 3800178			EA	1									8	35
X2F 00419		CRANKCASE, COMPRESSOR (78385) 4410-0160			EA	1									8	19
X2F 00420		END BELL: FAN (78385) 3800136			EA	1									8	93
P F 00421	4310-433-2987	GASKET: END BELL MTG (78385) 3260188			EA	1	2	2	3	2	2	3	30	100	8	84
X2F 00422		HEAD, CYLINDER: FIRST STAGE (78385) 3800137			EA	1									8	6
P F 00422A	4310-574-7708	KIT, RUPTURE (78385) 4459-0112			EA	1	*	2	2	*	2	2	15	10		
X1 00423		DISC RUPTURE (78385) 2741031			EA	1									8	34
X1 00424		RETAINER, DISC (78385) 130B2746			EA	1									8	32
X1 00425	1270-733-1322	RING, DISC (78385) 2740251			EA	1									8	33
P H 00426	4310-433-2987	KIT, STAGE 1 (78385) 4459-0106			EA	1				*	*	2	10	100		
X1 00427		CYLINDER AND PISTON: FIRST STAGE (78385) 3800131			EA	1									8	12
X1 00428		GASKET: FIRST STAGE (78385) 3260143			EA	1									8	17
X1 00429		GASKET: FIRST STAGE (75385) 3260144			EA	2									8	16
X1 00430		GASKET: VALVE PLATE (78385) 3800138			EA	1									8	23
X1 00431		NUT, SELF-LOCKING CYLINDER AND PISTON, FIRST STAGE: 1/4 NC THD SIZE (56878) 50FK420			EA	4									8	13
X1 00432		PIN, WRIST: FIRST STAGE (78385) 3800148			EA	1									8	14
X1 00433	5340-804-6855	RINGS RETAINING: FIRST STAGE (96906) MS16625-4037			EA	2									8	15

(1) SMR CODE	(2) FEDERAL STOCK NUMBER	(3) DESCRIPTION  REF NUMBER & MFR CODE	(4) USABLE ON CODE UNIT OF MEAS	(5) QTY INC IN UNIT	(6) 30-DAY DS MAINT ALLOWANCE			(7) 30-DAY GS MAINT ALLOWANCE			(8) 1-YR ALW PER 100 EQUIP CNTGY	(9) DEPOT MAINT ALW PER 100 EQUIP	(10) ILLUS- TRATION		
					(a)	(b)	(c)	(a)	(b)	(c)			(a)	(b)	
					1-20	21-50	51-100	1-20	21-50	51-100			FIG. NO.	ITEM NO.	
P H 00434	4310-574-7702	KIT, STAGE 2 (78385) 4459-0108	EA	1				*	*	2	10	100			
X1 00435		BEARING, NEEDLE: SECOND STAGE (60380) Q8279	EA	25										8	59
X1 00436		CYLINDER AND PISTON: SECOND STAGE (78385) 3260154	EA	1										8	47
X1 00437		GASKET: SECOND STAGE (78385) 3260162	EA	2										8	44
X1 00438		GASKET: SECOND STAGE (78385) 3260163	EA	2										8	45
X1 00439		GASKET: SECOND STAGE (78385) 130A0457	EA	2										8	4
X1 00440		PACKING: SECOND STAGE (78385) 437-0278	EA	1										8	51
X1 00441		PIN, COTTER: SECOND STAGE (88044) AN381-2-10	EA	2										8	42
X1 00442		PIN, WRIST: SECOND STAGE (78385) 3260130	EA	1										8	41
X1 00443		NUT, SELF-LOCKING CYLINDER AND PISTON, SECOND STAGE: 1/4 NC THD SIZE (56878) 50FK420	EA	2										8	40
X1 00444	5330-186-1295	RING, BACKUP (96906) MS28777-6	EA	3										8	3
X1 00445		WASHER, LINK: SECOND STAGE (78385) 3260133	EA	4										8	57
P H 00446	4310-433-2989	KIT, STAGE 3 (78385) 4459-0130	EA	1				*	*	2	10	100			
X1 00447		BEARING, NEEDLE: THIRD STAGE (60380) Q8279	EA	25										8	59
X1 00448	1040-921-5293	CYLINDER AND PISTON: THIRD STAGE (78385) 3260581	EA	1										8	38
X1 00449		GASKET: THIRD STAGE (78385) 3260162	EA	2										8	44
X1 00450		GASKET: THIRD STAGE (78385) 3260163	EA	1										8	45
X1 00451		GASKET: THIRD STAGE (78385) 130A0457	EA	1										8	4
X1 00452		NUT, SELF-LOCKING CYLINDER AND PISTON: 1/4 NC THD SIZE (56878) 50FK420	EA	4										8	40
X1 00453		PIN, COTTER: THIRD STAGE (88044) AN381-2-10	EA	2										8	42
X1 00454		PIN, WRIST: THIRD STAGE (78385) 3260130	EA	1										8	41
X1 00455	5330-186-1295	RING, BACKUP: THIRD STAGE (96906) MS28777-6	EA	1										8	3
X2F 00456		SEAL, BOSS (78385) 130B1136	EA	1											
X1 00457	WASHER, LINK (78385) 3260133	EA	3										8	57	
P2H 00458	4310-069-8222	LINK, CONNECTING: SECOND STAGE (78385) 3620-128	EA	1				*	*	*	5	15	8	58	

(1) SMR CODE	(2) FEDERAL STOCK NUMBER	(3) DESCRIPTION  REF NUMBER & MFR CODE	(4) USABLE ON CODE UNIT OF MEAS	(5) QTY INC IN UNIT	(6) 30-DAY DS MAINT ALLOWANCE			(7) 30-DAY GS MAINT ALLOWANCE			(8) 1-YR ALW PER 100 EQUIP CNTGY	(9) DEPOT MAINT ALW PER 100 EQUIP	(10) ILLUS- TRATION		
					(a)	(b)	(c)	(a)	(b)	(c)			(a)	(b)	
					1-20	21-50	51-100	1-20	21-50	51-100			FIG. NO.	ITEM NO.	
P2H 00459	4310-069-8224	LINK, CONNECTING: THIRD STAGE (78385) 3260129	EA	1				*	*	*	5	15	8	58	
X2F 00460		NUT, SELF-LOCKING: END BELL MTG, 1/4 NC THD SIZE (56878) 50FK420	EA	6									8	40	
F 00461		PIN, COTTER (88044) AN381-2-16	EA	3										8	43
F 00462		SCREW, MACHINE, HEAD MTG, 1 1/8 x 5/32 NC THD SIZE (88044) AN505-10-18	EA	4										8	5
X2F 00463		SEAL, BOSS: REDUCER TO CYLINDER (78385) 130B1136	EA	2										8	3
X2H 00464		STUD: CYLINDER TO CRANKCASE, 1/4 x 5/8 (78385) 130A0967	EA	18										8	18
00465		5002 - CRANKSHAFT													
P2H 00466	2110-891-8892	BEARING: CRANKSHAFT (43334) Q3L05X3A	EA	1				*	*	*	5	30	8	86	
P2H 00467	3110-554-5629	BEARING: CRANKSHAFT (43334) Q3L06X3A	EA	1				*	*	*	5	30	8	91	
P2H 00468	4310-906-7465	CRANKSHAFT: COMPRESSOR (78385) 412-0096	EA	1				*	*	*	5	5	8	87	
00469		5004 - PISTONS, CONNECTING RODS													
P H 00470	5315-788-5372	PIN, RETAINER: ROD PLATE (78385) 3260168	EA	1				*	*	2	6	10	8	104	
X2H 00471	1040-759-3895	PLATE RETAINER: ROD (78385) 3260127	EA	1									8	90	
P2H 00472	4310-980-0664	ROD ASSEMBLY (78385) 3260420 (REPLACED BY ROD ASSEMBLY, STOCK No. 4310-906-1008)	EA	1				*	*	*	5	30			
P2H 00473	4310-906-1008	ROD ASSEMBLY (78385) 4417-0013 (USED WITH CYLINDER AND PISTON ASSEMBLY STOCK No. (78385) 3260581)	EA	1				*	*	*	5	30			
P H 00474	3110-902-2699	BEARING: ROD ASSEMBLY (60380) GB68X0H	EA	2				*	2	2	12	100	8	69	
X1 00475		ROD, MASTER: RED ASSEMBLY (78385) 417-0059	EA	1										8	70
00476		5005 - VALVES													
P F 00477	4310-296-9254	KIT, VALVE: FIRST STAGE (78385) 4459-0107	EA	1	*	2	2	*	2	2	20	100			
X1 00477A		GASKET: VALVE PLATE (78385) 3800138	EA	1										8	23
X1 00478		NUT, SELF-LOCKING: PLATE TO HEAD 1/8 NC THD SIZE (96906) MS20365D1032A	EA	1										8	7
X1 00479		PACKING: PLATE TO HEAD (78385) 437-0279	EA	1										8	30

(1) SMR CODE	(2) FEDERAL STOCK NUMBER	(3) DESCRIPTION  REF NUMBER & MFR CODE	USABLE ON CODE	(4) UNIT OF MEAS	(5) QTY INC IN UNIT	(6) 30-DAY DS MAINT ALLOWANCE			(7) 30-DAY GS MAINT ALLOWANCE			(8) 1-YR ALW PER 100 EQUIP CNTGY	(9) DEPOT MAINT ALW PER 100 EQUIP	(10) ILLUS- TRATION	
						(a)	(b)	(c)	(a)	(b)	(c)			(a)	(b)
						1-20	21-50	51-100	1-20	21-50	51-100			FIG. NO.	ITEM NO.
X2F 00480		SCREW, RETAINER: 4 1/4 x 5/16 NF THD SIZE (78385) 3260297		EA	1									8	22
X2F 00481	4310-986-7767	SPRING, VALVE (78385) 3260165		EA	1									8	24
X1 00482	5340-989-6774	SPRING, VALVE: EXHAUST (78385) 3260148		EA	1									8	28
X1 00483		VALVE, EXHAUST: FIRST STAGE (78385) 3260149		EA	1									8	27
X1 00484		VALVE, INTAKE: FIRST STAGE (78385) 3260164		EA	1									8	25
P F 00485		KIT, VALVE: SECOND STAGE (78385) 4459-0109	A	EA	1	*	2	2	*	2	2	20	100		
P F 00486	4310-433-2990	KIT, VALVE: SECOND STAGE (78385) 4459-0129	B	EA	1	*	2	2	*	2	2	20	100		
X1 00487		PACKING: CYLINDER CAP (78385) 437-0278		EA	1									8	51
X1 00488	1040-906-7906	SPRING, EXHAUST VALVE: SECOND STAGE (78385) 425-0124	B	EA	1									8	49
X1 00489	1040-906-7905	VALVE, EXHAUST: SECOND STAGE (78385) 465-0118	B	EA	1									8	48
P F 00490	4310-574-7703	KIT, VALVE: THIRD STAGE (78385) 4459-0111		EA	1	*	2	2	*	2	2	20	100		
X1 00491		SPRING, VALVE: EXHAUST, THIRD STAGE (78385) 3800196		EA	1									8	36
X1 00492	4310-979-9284	VALVE, EXHAUST: THIRD STAGE (78385) 3800195		EA	1									8	37
P F 00493	4310-979-9288	PLATE, VALVE (78385) 3260146		EA	1	*	*	*	*	*	*	5	10	8	26
X2F 00494	5340-989-6775	SPRING, VALVE: SECOND STAGE (78385) 3260161	A	EA	1									8	49
P F 00495	4310-979-9294	STOP, VALVE: FIRST STAGE (78385) 3260147		EA	1	*	*	*	*	*	*	5	10	8	29
X2F 00496		VALVE, EXHAUST: THIRD STAGE (78385) 3260160	A	EA	1									8	48
F 00497	5310-183-4406	WASHER, FLAT: 1/8 SCREW SIZE (88044) AN960PD10		EA	1										
X1 00498	5310-999-0478	WASHER, SPRING: SECOND STAGE 1/8 SCREW SIZE (78385) 448-0483		EA	1									8	50
00499		5006 - LUBRICATION SYSTEM													
X2F 00500		BALL: OIL PUMP (96906) MS134355		EA	1									8	73
X20 00501	1040-921-5301	BREATHER ASSEMBLY (78385) 4455-0017		EA	1										
X20 00502		BODY, BREATHER (78385) 4455-0016		EA	1									8	21
X1 00503		CAP, BREATHER (78385) 3800692		EA	1										

(1) SMR CODE	(2) FEDERAL STOCK NUMBER	(3) DESCRIPTION  USABLE ON CODE  REF NUMBER & MFR CODE	(4) UNIT OF MEAS	(5) QTY INC IN UNIT	(6) 30-DAY DS MAINT ALLOWANCE			(7) 30-DAY GS MAINT ALLOWANCE			(8) 1-YR ALW PER 100 EQUIP CNTGY	(9) DEPOT MAINT ALW PER 100 EQUIP	(10) ILLUS- TRATION	
					(a)	(b)	(c)	(a)	(b)	(c)			(a)	(b)
					1-20	21-50	51-100	1-20	21-50	51-100			FIG. NO.	ITEM NO.
P O 00504	4310-848-6071	COVER, ASSEMBLY (78385) 3800691	EA	1	*	*	2	*	*	2	10	100	8	20
X1 00505		FILTER, BREATHER (78385) 3800695	EA	3										
X1 00506		HOUSING, FILTER (78385) 3800693	EA	1										
X1 00507		RETAINER, FILTER (78385) 3800694	EA	3										
X20 00508		CAP, SIGHT GLASS (78385) 3750463	EA	1									8	62
P20 00509	4820-097-9831	COCK, DRAIN (78385) 3800194	EA	1	*	*	*	*	*	*	5	10	2	17
O 00510	4730-044-4040	ELBOW, STREET: DRAIN COCK TO ELBOW (79470) 3400X4	EA	2									2	18
P O 00511	4310-433-2991	GASKET: CAP (78385) 3800499	EA	1	*	*	2	*	*	2	10	100	8	65
P O 00512	4310-296-9396	GASKET: SIGHT INDICATOR (78385) 3750465	EA	2	*	2	2	*	2	2	20	100	8	63
X2F 00513		HOUSING OIL PUMP (88044) 3750467	EA	1									8	78
P20 00514	5680-098-4673	INDICATOR, OIL (78385) 3750464	EA	1	*	*	*	*	*	*	5	10	8	64
P F 00515	4310-433-2992	KIT, PUMP REPAIR (78385) 4459-0115	EA	1	*	*	2	*	*	2	10	100		
X1 00516	4310-983-3077	CYLINDER, OIL PUMP (78385) 3260566	EA	1									8	81
X1 00517		GASKET: PUMP HOUSING (78385) 3750473	EA	1									8	79
X1 00518		GASKET: OIL RESERVOIR (78385) 3260267	EA	1									8	66
X1 00519	6615-731-0033	PACKING, PREFORMED: PUMP CYLINDER (78385) 3260430	EA	1									8	80
X1 00520		PISTON, PUMP (78385) 419-0112	EA	1									8	74
X1 00521		RETAINER: BALL (78385) 448-0480	EA	1									8	71
X1 00522		RETAINER PISTON: OIL PUMP (78385) 3260266	EA	1									8	76
X1 00523		SCREW, MACHINE: OIL PUMP CYLINDER MTG, 1/2-10-32 (03038) LL502-10-8M	EA	2									8	82
X1 00524		SHIM: OIL PUMP (78385) 3260265	EA	2									8	75
X1 00525		SOCKET, PISTON: MASTER ROD (78385) 3260556	EA	1									8	72
O 00526		PLUG, PIPE: RESERVOIR DRAIN (88044) AN933-2	EA	1									8	83
X2F 00527		RESERVOIR, OIL (78385) 3750488	EA	1									8	67
F 00528		SCREW, MACHINE: OIL PUMP HOUSING MTG, 3/8-8-32 (88044) AN500A8-6	EA	4									8	77

(1) SMR CODE	(2) FEDERAL STOCK NUMBER	(3) DESCRIPTION  REF NUMBER & MFR CODE	(4) UNIT OF MEAS	(5) QTY INC IN UNIT	(6) 30-DAY DS MAINT ALLOWANCE			(7) 30-DAY GS MAINT ALLOWANCE			(8) 1-YR ALW PER 100 EQUIP CNTGY	(9) DEPOT MAINT ALW PER 100 EQUIP	(10) ILLUS- TRATION	
					(a)	(b)	(c)	(a)	(b)	(c)			(a)	(b)
					1-20	21-50	51-100	1-20	21-50	51-100			FIG. NO.	ITEM NO.
O 00529		SCREW, MACHINE: SIGHT GLASS CAP MTG, 1/2-8-32 (02615) M34AS832-10C	EA	8									8	61
X2F 00530		SCREWS, SEMS: RESERVOIR TO CRANKCASE, No. 10-24, 5/8 IN. STEEL (78189) COML	EA	2									8	68
P H 00531	5330-993-0084	SEAL, OIL (80201) 14830Q6	EA	1				*	*	2	10	100	8	85
P H 00532	5330-993-0085	SEAL, OIL (80201) 14812Q6	EA	1				*	*	2	10	100	8	92
		5007 - COMPRESSOR DRIVE												
X20 00534		COVER, SILENCER (78385) 3260132	EA	1									8	9
P2F 00535	5306-964-9603	BOLT, DRAW EXTERNALLY RELIEVED (78385) 3260124	EA	1	*	*	*	*	*	*	5	5	8	96
P H 00536	4310-986-7766	BUSHING, DRIVE (78385) 3260132	EA	1				*	*	2	10	100	8	89
X2H 00537	3120-993-0093	WASHER, THRUST: 1/4 IN. SCREW SIZE (78385) 3260125	EA	1									8	88
		5008 - AIR INTAKE												
P O 00539	4310-992-5750	FILTER, INTAKE (06840) R56-16	EA	1	*	2	2	*	2	2	12	100	8	8
O 00540	5305-151-2758	SCREW, MACHINE: SILENCER MTG, 1 1/2 LG, 2A THD SIZE (88044) AN515-10-24	EA	2									8	10
O 00541	5310-045-3296	WASHER, LOCK: SILENCER MTG, .194 ID, .337 OD, .047 THD (88044) AN935-10	EA	2									8	11
		5009 - UNLOADER SYSTEM COMPONENTS												
X20 00543		ADAPTER, TUBE: PUSH VALVE (78385) 4428-0198	EA	2									9	12
O 00544	4730-188-8031	BUSHING: AIR PRESSURE TANK, BOTTOM (88044) AN893-2	EA	1									10	33
O 00545		BUSHING: AIR PRESSURE TANK, TOP (88044) AN893-5C	EA	1									10	36
O 00546	4730-278-3905	BUSHING: LOW PRESSURE REGULATOR TUBE TEE (88044) AN912-1C	EA	1									9	40
P O 00547	4310-107-0980	BUTTON, PUSH: PUSH VALVE (90526) 11916	EA	1	*	*	2	*	*	2	6	5	9	16
O 00548	5340-205-6301	CLAMP, CUSHIONED: TUBE MTG (96906) MS21919DG4	EA	5									10	44
O 00549	5340-205-6301	CLAMP, CUSHIONED: TUBE TO PANEL (96906) MS21919DG4	EA	1									9	19



(1) SMR CODE	(2) FEDERAL STOCK NUMBER	(3) DESCRIPTION  REF NUMBER & MFR CODE	(4) USABLE ON CODE UNIT OF MEAS	(5) QTY INC IN UNIT	(6) 30-DAY DS MAINT ALLOWANCE			(7) 30-DAY GS MAINT ALLOWANCE			(8) 1-YR ALW PER 100 EQUIP CNTGY	(9) DEPOT MAINT ALW PER 100 EQUIP	(10) ILLUS- TRATION	
					(a)	(b)	(c)	(a)	(b)	(c)			(a)	(b)
					1-20	21-50	51-100	1-20	21-50	51-100			FIG. NO.	ITEM NO.
X20 00550		CLAMP HOSE: DEHYDRATOR (78385) 448-0495	EA	2									13	7
O 00551	5340-514-0018	CLAMP: VALVE MTG (96906) MS21919G19	EA	1									10	23
X20 00552		COUPLING: FILTER UNION TO TUBE (78385) 428-0299	EA	1									10	11
X20 00553	4730-277-1921	ELBOW: AFTER COOLER TO SEPARATOR TUBE (88044) AN939-4	EA	1									10	32
X20 00554	4730-231-4010	ELBOW: HIGH AND TUBE (96906) MS20822-4-4	EA	3									9	1
X20 00555	4730-231-3026	ELBOW: LOW PRESSURE (88044) AN833-4	EA	1									9	7
X20 00556	4730-231-3026	ELBOW: TUBE ATTACHING (88044) AN833-4	EA	3									10	14
O 00557		ELBOW, TUBE TO PIPE SEPARATOR DRAIN TUBE TO SEPARATOR (78385) 628-0005	EA	1									10	25
X20 00558		FILTER ASSEMBLY (78385) 4455-0018 (INCLUDES COMPONENTS OF KITS, STOCK No. (78385) 4459-0105 AND (78385) 4459-0112)	EA	1										
X20 00559		CAP, TANK (78385) 3800641	EA	1									18	1
X1 00560	1270-830-2836	DISC, RUPTURE (78385) 2741031	EA	2									18	5
O 00561	4730-221-2137	PLUG, PIPE: TANK CAP (96906) MS20913-2S	EA	1									18	2
X20 00562		RETAINER: DISC RING (78385) 130B2746	EA	2									18	3
X1 00563	1270-733-1322	RING, DISC (78385) 2740251	EA	2									18	4
X20 00564		SHELL, FILTER (78385) 457-0025	EA	1									18	6
P O 00565	5930-015-0041	SWITCH, THERMOSTAT (78385) 645-0055	EA	1	*	*	*	*	*	2	10	20	18	7
X20 00566	1650-516-4724	FILTER: HYDRAULIC LINES (96906) MS28720-4	EA	1									10	4
P O 00567	4330-028-6757	ELEMENT, FILTER: HYDRAULIC LINE (88044) AN6235-1A	EA	1	2	4	8	2	4	8	100	100	10	40
P O 00568	4310-433-3001	FITTING ASSEMBLY: SAFETY (78385) 2740235	EA	1	*	*	2	*	*	2	6	5	14	
X2F 00569		CAP, FILTER (78385) 2740248	EA	1									14	1
X2F 00570		CAP, RETAINER (78385) 2740252	EA	1									14	2
X1 00571	1270-830-2836	DISC, RUPTURE (78385) 2741031	EA	1									14	3
X2F 00572		HOUSING, FITTING (78385) 2740246	EA	1									14	4
P F 00573	5330-988-9858	PACKING, O RI NG (78385) 130A2250	EA	1	*	2	2	*	2	2	20	100	14	5

(1) SMR CODE	(2) FEDERAL STOCK NUMBER	(3) DESCRIPTION  REF NUMBER & MFR CODE	USABLE ON CODE	(4) UNIT OF MEAS	(5) QTY INC IN UNIT	(6) 30-DAY DS MAINT ALLOWANCE			(7) 30-DAY GS MAINT ALLOWANCE			(8) 1-YR ALW PER 100 EQUIP CNTGY	(9) DEPOT MAINT ALW PER 100 EQUIP	(10) ILLUS- TRATION	
						(a)	(b)	(c)	(a)	(b)	(c)			(a)	(b)
						1-20	21-50	51-100	1-20	21-50	51-100			FIG. NO.	ITEM NO.
X1 00574	1270-733-1322	RING, DISC (78385) 2740251	EA	1									14	6	
P O 00575	1650-576-9420	GASKET: TUBE FITTING (78385) 430A0432	EA	16	2	5	10	2	5	10	115	500	10	3	
P O 00576	1650-576-9420	GASKET: TUBE FITTING, BACK PRESSURE VALVE (78385) 130A0432	EA	1	REF	REF	REF	REF	REF	REF	REF	REF	15	1	
X20 00577		HOUSING, DEHYDRATOR (78385) 1370620 (INCLUDES COMPONENTS OF KIT, STOCK NO. (78385) 4459-0104)	EA	1									13		
X20 00577	5307-362-0448	ADAPTER, OUTLET (78385) 3370621	EA	1									13	9	
X20 00578	2930-364-1899	CAP, ADAPTER: OUTLET (78385) 3370622	EA	1									13	1	
X20 00579		CAP, INLET (78385) 3370524	EA	1									13	6	
P O 00580	4310-433-3004	DISC, FILTER: DEHYDRATOR (78385) 3370127	EA	1	*	*	2	*	*	2	10	20	13	10	
X20 00581		HOUSING, DEHYDRATOR (78385) 3370127	EA	1									13	2	
P O 00582	5330-752-8727	PACKING, PREFORMED (96906) MS29561-228	EA	1	2	4	8	2	4	8	100	200	13	4	
P O 00583	4440-888-8560	RING, BACKUP: PACKING (78385) 3370525	EA	2	2	2	4	2	2	4	50	100	13	3	
P O 00584	1270-876-7703	SPRING, DEHYDRATOR (78385) 3370131	EA	1	*	*	2	*	*	2	10	10	13	5	
P O 00585	4310-574-7714	KIT, DEHYDRATOR (78385) 4459-0104	EA	1	21	42	83	21	42	83	2000	100			
X1 00586		CARTRIDGE ASSEMBLY (78385) 3370170	EA	1									13	8	
X1 00587		PACKING, RING (78385) 3370527	EA	1									13	11	
X1 00588		RING, BACKUP (78385) 3370526	EA	1									13	12	
P O 00589		KIT, REPAIR: STRAINER AND RELIEF VALVE ASSEMBLY (78385) 4459-0114	A	EA	1	*	*	2	*	*	2	10	10		
X1 00590		GASKET: VALVE MTG (78385) 130A0457	A	EA	1									8	
X1 00591	5330-186-1295	RING, BACKUP: GASKET (96906) MS28777-6	A	EA	1										
X20 00592		STRAINER AND VALVE ASSEMBLY (78385) 3260179	A	EA	1										
P O 00593	4310-226-1103	KIT, REPAIR: STRAINER AND RELIEF VALVE (78385) 4459-0113	B	EA	1	*	*	2	*	*	2	10	10		
X1 00594		GASKET: TUBE FITTING (78385) 130A0457	B	EA	1									8	4
X1 00595	5330-186-1295	RING, BACKUP: GASKET (78385) MS28777-6	B	EA	1									8	3
X20 00596	4310-983-3075	STRAINER AND VALVE ASSEMBLY (78385) 3260169	B	EA	1									8	46

(1) SMR CODE	(2) FEDERAL STOCK NUMBER	(3) DESCRIPTION  REF NUMBER & MFR CODE		(4) UNIT OF MEAS	(5) QTY INC IN UNIT	(6) 30-DAY DS MAINT ALLOWANCE			(7) 30-DAY GS MAINT ALLOWANCE			(8) 1-YR ALW PER 100 EQUIP CNTGY	(9) DEPOT MAINT ALW PER 100 EQUIP	(10) ILLUS- TRATION	
						(a) 1-20	(b) 21-50	(c) 51-100	(a) 1-20	(b) 21-50	(c) 51-100			(a) FIG. NO.	(b) ITEM NO.
X2F 00597	1040-757-6798	BODY, ELBOW (78385) 3260178	B	EA	1									12	10
X2F 00598		HOUSING, SEAT (78385) 3070321	B	EA	1									12	6
X2F 00599	4310-793-3871	PACKING, O-RING (78385) 3610187	B	EA	1									13	7
X2F 00600		PLUG, ADJUSTING: (78385) 3070326	B	EA	1									12	1
X2F 00601		POPPET, VALVE (78385) 3070322	B	EA	1									12	3
X2F 00602		SCREWS, RETAINER: SEAT, 2 1/4 X 1/2 NC THD (78385) 3070324	B	EA	1									12	5
X2F 00603		SEAT, VALVE (78385) 3070323	B	EA	1									12	4
X2F 00604		SPRING, VALVE (78385) 130A1373													
X2F 00605		SPRING, ADJUSTING: INNER (78385) 162A0223	B	EA	1									12	2
X2F 00606		STRAINER, AIR (78385) 3800595	B	EA	1									13	9
P O 00607	4310-097-9832	KIT, SEPARATOR (78385) 4459-0105	EA	1	2	2	4	2	2	4	50	100			
X1 00608		ELEMENT, FILTER (78385) 130B1759	EA	1									18	18	
X1 00609		GASKET, FILTER (78385) 130A1580	EA	1									18	19	
X1 00610	5330-788-0906	O-RING, FITTING (78385) 48A113	EA	1									18	20	
X1 00611		SCREW ASSEMBLY: 1/4 x 1/8 NF THD SIZE (78385) 130B0487	EA	1									18	16	
X1 00612		WASHER, FLAT 1/4 SCREW (78385) 130A1581	EA	1									18	17	
O 00613	4730-542-3284	NIPPLE: HIGH AND LOW PRESSURE LINES (88044) AN816-4-4	EA	2									9	41	
X20 00614	4730-187-0840	NIPPLE: SHUT-OFF VALVE (88044) AN816-4	EA	1									10	6	
X20 00615	4730-851-6866	NIPPLE: TUBE ATTACHING (78385) 428-0201	EA	1									10	16	
X20 00616	5310-167-1311	NUT, CHECK: SHUT-OFF VALVE, 7/8-14 THD SIZE (88044) AN316-14R	EA	1	1									9	21
O 00617	4730-222-1912	NUT, COUPLING: DRAIN TUBE, 1/4 TUBE NUT (88044) AN318-4	EA	1									10	29	
X20 00618		NUT, FERRULE: ADAPTER (45681) 4BT12B	EA	2									9	11	
O 00619	5310-208-5769	NUT, FLARED TUBE: 7/16-20 THD SIZE (88044) AN924-4	EA	1									10	26	

(1) SMR CODE	(2) FEDERAL STOCK NUMBER	(3) DESCRIPTION  USABLE ON CODE		(4) UNIT OF MEAS	(5) QTY INC IN UNIT	(6) 30-DAY DS MAINT ALLOWANCE			(7) 30-DAY GS MAINT ALLOWANCE			(8) 1-YR ALW PER 100 EQUIP CNTGY	(9) DEPOT MAINT ALW PER 100 EQUIP	(10) ILLUS- TRATION	
						(a)	(b)	(c)	(a)	(b)	(c)			(a)	(b)
						1-20	21-50	51-100	1-20	21-50	51-100			FIG. NO.	ITEM NO.
O 00620	4730-277-6372	NUT, FLARED TUBE: ELBOW AND UNION MTG, 1/4 TUBE NUT (88044) AN6289-4	EA	3									9	8	
O 00621	5310-734-5760	NUT, FLARED TUBE: TUBE ATTACHING, 7/16-20 THD SIZE (88044) AN924-4	EA	2									9	37	
O 00622	4730-277-6372	NUT, FLARED TUBE: BACK PRESSURE VALVE, 1/4 TUBE NUT (88044) AN6289-4	EA	4									11	10	
O 00623	5310-012-0614	NUT, PLAIN, HEXAGON: CLAMP MTG, 10-32 THD SIZE, CHROMATE (96906) MS35650-102	EA	2									10	19	
O 00624	5310-584-5005	NUT, PLAIN, HEXAGON: FILTER MTG, 1/4-20 THD SIZE: CHROMATE (96906) MS35690-405	EA	3									10	42	
X20 00625		ORIFICE, METERING: TUBE TO ELBOW (78385) 428-0285	EA	1									10	27	
P O 00626	5330-833-7491	PACKING, PREFORMED: BUSHING TO TANK (96906) MS28778-5	EA	1	*	*	2	*	*	2	10	100	10	34	
P O 00627	5330-804-5694	PACKING, PREFORMED: BUSHING TO TANK (96906) MS28778-16	EA	1	*	*	2	*	*	2	10	100	10	35	
X20 00628		PLUG, COUPLING HALF: BULKHEAD UNION (78385) 407-0209	EA	2									9	30	
O 00629	4730-187-3600	REDUCER, FLARED TUBE: TUBE TO ELBOW (88044) AN919-6	EA	1									10	31	
P O 00630	5330-186-4947	RING, BACKUP: TUBE GASKET (96906) MS28777-4	EA	7	2	4	8	2	4	8	90	100	11	11	
P O 00631	5330-186-4947	RING, BACKUP: GASKET (96906) MS28777-4	EA	3	REF	REF	REF	REF	REF	REF	REF	REF	9	9	
O 00632	5305-150-9158	SCREW, MACHINE: CLAMP MTG, 1/2 LG, 2A THD SIZE, CHROMATE (88044) AN501-10-8	EA	3									10	22	
O 00634		SCREW, MACHINE: FILTER MTG (96906) MS35223-86	EA	2									10	39	
O 00635		SCREW, MACHINE: HIGH PRESSURE REGULATING VALVE MTG, 3 X 1/4 NF THDS (96906) MS35224-91	EA	4									9	33	
O 00636	4730-278-0678	SLEEVE, COUPLING: ELBOW TO TUBE (96906) MS20819-4	EA	1									10	30	
X20 00637		SPACER: REGULATOR VALVE MTG (78385) 430-0092	EA	1									9	46	
O 00638	4730-277-5060	TEE, BULKHEAD (88044) AN834-4	EA	2									9	39	
X20 00639	4730-277-5060	TEE, PIPE: ORIFICE AND TUBE (88044) AN826-4	EA	1									10	14	
X20 00640	4730-277-5037	TEE, PIPE: TUBE CONNECTING (88044) AN826-4	EA	1									9	3	
X20 00641	4730-202-9032	TEE, PIPE: VALVE ATTACHING (88044) AN917-1C	EA	1									10	17	

(1) SMR CODE	(2) FEDERAL STOCK NUMBER	(3) DESCRIPTION  REF NUMBER & MFR CODE		(4) UNIT OF MEAS	(5) QTY INC IN UNIT	(6) 30-DAY DS MAINT ALLOWANCE			(7) 30-DAY GS MAINT ALLOWANCE			(8) 1-YR ALW PER 100 EQUIP CNTGY	(9) DEPOT MAINT ALW PER 100 EQUIP	(10) ILLUS- TRATION		
						USABLE ON CODE	(a) 1-20	(b) 21-50	(c) 51-100	(a) 1-20	(b) 21-50			(c) 51-100	(a) FIG. NO.	(b) ITEM NO.
X20 00642	4730-278-2780	TEE, PIPE: VALVE MTG (88044) AN938-4	EA	1									10	38		
P20 00643	4310-433-2995	TUBE ASSEMBLY: AFTER COOLER TO SEPARATOR (78385) 4428-0194	EA	1	*	*	*	*	*	*	3	5	10	43		
P20 00644	4310-433-2997	TUBE ASSEMBLY: DRYER TO FILTER (78385) 4428-0191	EA	1	*	*	*	*	*	*	3	5	10	1		
P20 00645	4310-433-2996	TUBE ASSEMBLY: DRYER TO TEE (78385) 4428-0192	EA	1	*	*	*	*	*	*	3	5	10	24		
P20 00646	4310-296-9448	TUBE ASSEMBLY: FILTER TO METERED ORIFICE (78385) 4428-0196	EA	1	*	*	*	*	*	*	3	5	10	13		
P20 00647	4310-433-2998	TUBE ASSEMBLY: FILTER TO SHUT-OFF VALVE (78385) 4428-0197	EA	1	*	*	*	*	*	*	3	5	10	5		
P20 00648	4310-296-9455	TUBE ASSEMBLY: FIRST STAGE TO FILTER (78385) 4428-0195	EA	1	*	*	*	*	*	*	3	5	10	10		
P20 00649	4310-433-3009	TUBE ASSEMBLY: HIGH PRESSURE GAGE TO PORT (78385) 4428-0182	EA	1	*	*	*	*	*	*	3	5	9	38		
P20 00650	4310-574-7716	TUBE ASSEMBLY: HIGH PRESSURE REGULATOR TO VALVE (78385) 4428-0188	EA	1	*	*	*	*	*	*	3	5	9	44		
P20 00651	4310-433-3007	TUBE ASSEMBLY: HIGH PRESSURE VALVE TO GAGE (78385) 4428-0184	EA	1	*	*	*	*	*	*	3	5	9	5		
P20 00652	4310-574-7746	TUBE ASSEMBLY: LOW PRESSURE GAGE TO PORT (78385) 4428-0181	EA	1	*	*	*	*	*	*	3	5	9	43		
P20 00653	4310-296-9457	TUBE ASSEMBLY: LOW PRESSURE REGULATOR TO HIGH PRESSURE REGULATOR (78385) 4428-0186	EA	1	*	*	*	*	*	*	3	5	9	9	2	
P20 00654	4310-433-3006	TUBE ASSEMBLY: LOW PRESSURE REGULATOR TO RECEIVER GAGE (78385) 4428-0185	EA	1	*	*	*	*	*	*	3	5	9	9	6	
P20 00655	4310-574-7718	TUBE ASSEMBLY: LOW PRESSURE REGULATOR TO VALVE (78385) 4428-0187	EA	1	*	*	*	*	*	*	3	5	9	42		
P20 00656	4310-433-3008	TUBE ASSEMBLY: LOW PRESSURE VALVE TO GAGE (78385) 4428-0183	EA	1	*	*	*	*	*	*	3	5	9	9	4	
P20 00657	4310-433-2999	TUBE ASSEMBLY: RECEIVER TO REGULATOR (78385) 4428-0189	EA	1	*	*	*	*	*	*	3	5	10	9		
P20 00658	4310-574-7762	TUBE ASSEMBLY: SECOND TO THIRD STAGE (78385) 3800321	EA	1	*	*	*	*	*	*	5	5	8	56		
P20 00659	4310-629-3269	TUBE ASSEMBLY: VALVE TO SAFETY FITTING (78385) 4428-0190	EA	1	*	*	*	*	*	*	3	5	10	8		
X20 00660		TUBE, DRAIN: SEPARATOR (78385) 428-0311	EA	1									10	28		
X20 00661		TUBE: PUSH VALVE TO ATMOSPHERE (78385) 428-0283	EA	1									9	15		
P O 00662	4310-433-2994	UNION, FILTER 10 (10989) 20011-4-464	EA 12	2	*	*	2	*	*	2	6	5	10	12		

(1) SMR CODE	(2) FEDERAL STOCK NUMBER	(3) DESCRIPTION  REF NUMBER & MFR CODE	USABLE ON CODE	(4) UNIT OF MEAS	(5) QTY INC IN UNIT	(6) 30-DAY DS MAINT ALLOWANCE			(7) 30-DAY GS MAINT ALLOWANCE			(8) 1-YR ALW PER 100 EQUIP CNTGY	(9) DEPOT MAINT ALW PER 100 EQUIP	(10) ILLUS- TRATION	
						(a)	(b)	(c)	(a)	(b)	(c)			(a)	(b)
						1-20	21-50	51-100	1-20	21-50	51-100			FIG. NO.	ITEM NO.
X20 00663	4730-277-6458	UNION: TANK TOP (88044) AN832-4	EA	2									10	37	
X20 00664	4730-278-3242	UNION: TUBE TO COUPLING DEHYDRATOR, AND FILTER (88044) AN815-4	EA	4									10	2	
X20 00665		UNION: TUBE TO PANEL (78385) 4428-0171	EA	2									9	29	
P O 00666	4820-602-4412	VALVE ASSEMBLY: BACK PRESSURE (78385) 2670100-1	EA	1	*	*	2	*	*	2	6	5	11		
X2F 00667		BODY, VALVE (78385) 2670129	EA	1									11	4	
X2F 00668	1450-600-4380	CAP VALVE (78385) 2670126	EA	1									11	1	
X2F 00669		FITTING, INLET (78385) 2670131	EA	1									11	9	
X2F 00670		FITTING, OUTLET (78385) 2670132	EA	1									11	8	
P F 00671	1650-576-9420	GASKET: FITTING (78385) 130A0432	EA	2	2	2	3	2	2	3	30	200	11	7	
P F 00672	5330-658-8450	PACKING, PREFORMED: BACK PRESSURE VALVE (78385) 2670128	EA	2	*	*	2	*	*	2	10	100	11	5	
X2F 00673	1650-561-5252	PISTON VALVE (78385) 2670123	EA	1									11	13	
X2F 00674	1270-601-2180	PLATE, SPRING (78385) 2670124	EA	2									11	2	
X2F 00675	5330-894-1954	RING, BACKUP: PACKING (96906) MS28774-7	EA	1									11	14	
X2F 00676	1650-561-5254	SEAT PISTON (78385) 2670130	EA	1									11	6	
X2F 00677		SPRING, VALVE (78385) 2670125	EA	1									11	3	
P O 00678	4820-032-7661	VALVE ASSEMBLY: CHECK (78385) 140B1100	EA	1	*	*	2	*	*	2	6	15			
X2F 00679		BODY, VALVE (78385) 140B1101	EA	1									15	9	
X2F 00680		GUIDE, POPPET (78385) 140A0112	EA	1									15	8	
X2F 00681	5330-292-0618	PACKING O-RING: CHECK VALVE (88044) AN6227-7	EA	1									15	3	
X2F 00682		POPPET: CHECK VALVE (78385) 140A0114	EA	1									15	6	
X2F 00683		RETAINER: VALVE SEAT (78385) 140A0110	EA	1									15	5	
X2F 00684		SCREW, BODY: CHECK VALVE, 1 X 1/2 NF THD SIZE (78385) 140A1107	EA	1									15	2	
X2F 00685		SEAT, VALVE (78385) 140A0109	EA	1									15	4	
X2F 00686		SPRING: POPPET RETURN (78385) 140A0113	EA	1									15	7	
P O 00687	4310-433-3002	VALVE ASSEMBLY: PNEUMATIC DUMP (78385) 4465-0032	EA	1	*	*	2	*	*	2	10	5			

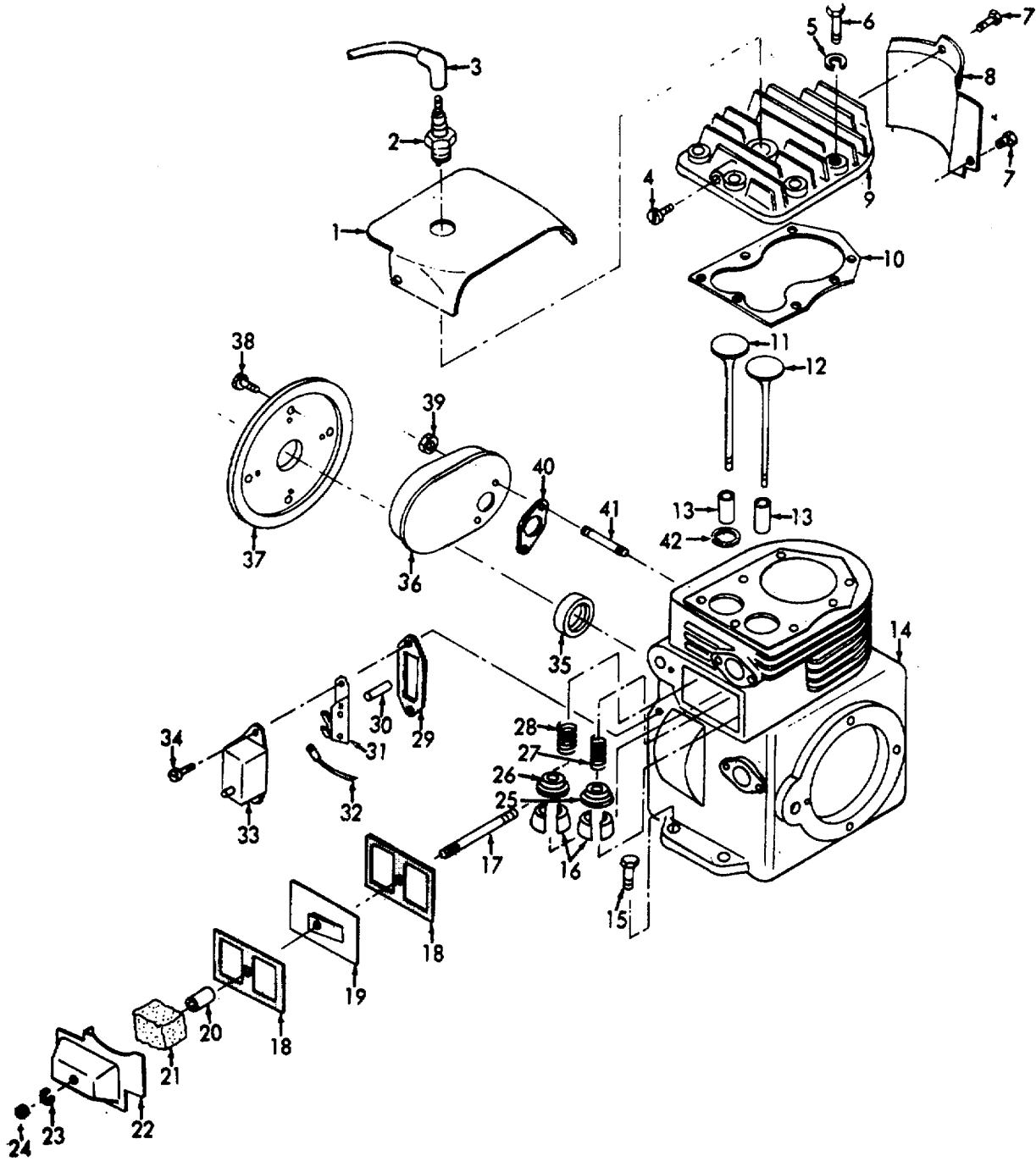
(1) SMR CODE	(2) FEDERAL STOCK NUMBER	(3) DESCRIPTION  REF NUMBER & MFR CODE		(4) UNIT OF MEAS	(5) QTY INC IN UNIT	(6) 30-DAY DS MAINT ALLOWANCE			(7) 30-DAY GS MAINT ALLOWANCE			(8) 1-YR ALW PER 100 EQUIP CNTGY	(9) DEPOT MAINT ALW PER 100 EQUIP	(10) ILLUS- TRATION	
						(a)	(b)	(c)	(a)	(b)	(c)			(a)	(b)
X2F 00688		ADAPTER: TUBE FITTING (78385) 428-0282	EA	1									18	13	
X2F 00689		BODY, VALVE (78385) 410-0300	EA	1									18	8	
X2F 00690		PACKING, PREFORMED: DUMP VALVE (78385) 437-0284	EA	1									18	12	
X2F 00691		PACKING, PREFORMED: DUMP VALVE (78385) 437-0283	EA	1									18	10	
X2F 00692		PISTON, DUMP VALVE (78385) 419-0111	EA	1									18	11	
X2F 00693		SPRING: DUMP VALVE (78385) 425-0125	EA	1									18	9	
P O 00694	1450-055-9084	VALVE ASSEMBLY: PRESSURE RELIEF (78385) 116B100-10	EA	1	*	*	2	*	*	2	10	5	17		
X2F 00695		BALL METAL (88041) 216CP16	EA	1									17	8	
X2F 00696		BODY VALVE (78385) 116B101	EA	1									17	10	
X2F 00697	5330-876-3896	PACKING, O RING: RELIEF VALVE (78385) 116A153	EA	1									17	6	
X2F 00698	1450-386-8782	PISTON ASSEMBLY: RELIEF VALVE (78385) 116A111-0	EA	1									17	7	
X2F 00699	1450-055-2789	RETAINER SPRING (78385) 116A120	EA	1									17	5	
X2F 00700	1450-055-2790	SCREW, ADJUSTING: RELIEF VALVE, 1 1/2 X 1/4 NF THD SIZE (78385) 116A121	EA	1									17	2	
X2F 00701	1450-876-3897	SHIM, SPRING (78385) 116B124	EA	2									17	4	
X2F 00702	1650-527-1773	SPRING : BALL RETURN (78385) 116A103	EA	1									17	9	
X2F 00703		SPRING: RELIEF VALVE (78385) 66A417	EA	1									17	3	
X2F 00704	1450-386-8781	STEM: RELIEF VALVE (78385) 116A110	EA	1									17	1	
P O 00705	4310-433-3000	VALVE, SHUT-OFF (28968) 305A	EA	1	*	*	2	*	*	2	6	5	10	18	
P O 00706	4310-433-3005	VALVE, PUSH (90526) MAV2	EA	1	*	*	2	*	*	2	6	5	9	13	
P20 00707	4820-086-2437	VALVE, REGULATOR: HIGH PRESSURE (94124) R1775B565895	EA	1	*	*	*	*	*	*	5	3	9	35	
P20 00708	4820-088-4572	VALVE, REGULATOR: LOW PRESSURE (94124) R2172B565896	EA	1	*	*	*	*	*	*	5	3	9	36	
P20 00709	4820-813-5496	VALVE, SHUT-OFF (91816) 949T2PP	EA	1	*	*	*	*	*	*	5	5	9	20	
P O 00710	4820-956-2316	VALVE: SHUT-OFF (28968) 329	EA	1	*	*	2	*	*	2	6	5	10	7	
O 00711	5310-167-0839	WASHER, FLAT: PUSH VALVE, 3/8 FLAT (88044) AN960-816L	EA	1									9	14	
O 00712	5310-576-5752	WASHER, LOCK: CLAMP MTG, .190 10, .365 OD, .020 THK, CHROMATE (96906) MS35333-39	EA	3									10	20	

(1) SMR CODE	(2) FEDERAL STOCK NUMBER	(3) DESCRIPTION  REF NUMBER & MFR CODE	USABLE ON CODE	(4) UNIT OF MEAS	(5) QTY INC IN UNIT	(6) 30-DAY DS MAINT ALLOWANCE			(7) 30-DAY GS MAINT ALLOWANCE			(8) 1-YR ALW PER 100 EQUIP CNTGY	(9) DEPOT MAINT ALW PER 100 EQUIP	(10) ILLUS- TRATION		
						(a)	(b)	(c)	(a)	(b)	(c)			(a)	(b)	
						1-20	21-50	51-100	1-20	21-50	51-100			FIG. NO.	ITEM NO.	
O 00713	5310-550-1130	WASHER, LOCK: FILTER MTG, INTERNAL TOOTH, .250 ID, .460 OD, .023 THK (96906) MS35333-40	EA	2									10	41		
O 00714	5310-550-1130	WASHER, LOCK: HIGH PRESSURE REGULATING VALVE MTG, INTERNAL TOOTH, .250 ID, .460 OD, .023 THK (96906) MS35333-40	EA	4									9	34		
00715		5010 - COMPRESSOR COOLING AND HEATING														
P2F 00716	4310-983-3072	AFTER COOLER (78385) 3750345	EA	1	*	*	*	*	*	5	5		8	97		
P F 00717	4310-433-3012	BLANKET HEATER (78385) 3810123	EA	1	*	*	2	*	*	2	10		18	14		
X20 00718	530-769-5311	CLAMP: AFTER COOLER (78385) 3260185	EA	6									8	101		
X20 00719		CLAMP, HOSE: BLANKET MTG (78385) 3090682	EA	1									18	15		
X2F 00720		FAN, BLOWER (78385) 3590176	EA	1									8	94		
X20 00721		GUARD: FAN AND AFTER COOLER (78385) 3260194	EA	1									8	98		
P F 00722	5310-272-7019	NUT, ELASTIC STOP: FAN MTG, 3/4 NF THD SIZE (96906) MS20364-1216A	EA	1	*	*	2	*	*	2	10		8	95		
F 00723		SCREW, MACHINE: AFTER COOLER MTG, 3/8-8-32 (88044) AN500A8-6	EA	12									8	103		
O 00724	5305-151-0361	SCREW, MACHINE: GUARD MTG, 1 1/2 IN. LG, 2A THD SIZE (88044) AN500A10-24	EA	6									8	100		
P20 00725	431-433-3010	TUBE ASSEMBLY: FIRST TO SECOND STAGE (78385) 3800222	EA	1	*	*	*	*	*	5	5		8	31		
P20 00726	4310-33-2993	TUBE ASSEMBLY: TEE TO PUSH VALVE (78385) 4428-0193	EA	1	*	*	*	*	*	3	5		10	21		
O 00727	5310-55-0070	WASHER, LOCK: AFTER COOLER MTG INTERNAL TOOTH, .164 ID, .325 OD, .018 THK, (96906) MS35333-38	EA	12									8	102		
O 00728	5310-576-5752	WASHER, LOCK: FAN GUARD MTG, INTERNAL TOOTH, .190 ID, .365 OD, .020 THK (96906) MS35333-39	EA	6									8	99		
00729		5013 - HOSE REEL														
X20 00730		BRACE, REEL (78385) 407-0237	A	EA	1									16	22	
X20 00731		BRACE, REEL (78385) 407-0352	B	EA	1									16	22	
X20 00732		BRACKET, REEL (78385) 407-0236	EA	1									16	4		
O 00733	5310-526-0696	NUT, SELF-LOCKING: BRACE MTG, 10-24 (96906) MS20364-632A	EA	2									16	24		



(1) SMR CODE	(2) FEDERAL STOCK NUMBER	(3) DESCRIPTION  USABLE ON CODE		(4) UNIT OF MEAS	(5) QTY INC IN UNIT	(6) 30-DAY DS MAINT ALLOWANCE			(7) 30-DAY GS MAINT ALLOWANCE			(8) 1-YR ALW PER 100 EQUIP CNTGY	(9) DEPOT MAINT ALW PER 100 EQUIP	(10) ILLUS- TRATION	
						(a)	(b)	(c)	(a)	(b)	(c)			(a)	(b)
						1-20	21-50	51-100	1-20	21-50	51-100			FIG. NO.	ITEM NO.
O 00734		NUT, SELF-LOCKING: BRACE MTG, 10-24 (96906) MS20365-1032A	EA	2									16	21	
O 00735		NUT, SELF-LOCKING: BRACKET MTG, 10-21 THD SIZE (96906) MS20365-1032C	EA	1									16	3	
O 00736	5310-588-0389	NUT, SELF-LOCKING: BRACKET MTG, 10-24 THD SIZE (96906) MS20364-832A	EA	1									16	1	
O 00737	5310-059-5875	NUT, SELF-LOCKING: RACK MTG, 6-32 THD SIZE (96906) MS20364-1032C	EA	1									16	3	
O 00738		NUT, SELF-LOCKING: RACK MTG, 6-32 THD SIZE (96906) MS20364-832C	EA	1									16	20	
X20 00739		RACK, HOSE: FRONT (78385) 130G1896	EA	1									16	12	
X20 00740		RACK, HOSE: REAR (78385) 130G1897	EA	1									16	6	
O 00741	5305-156-2714	SCREW, MACHINE: BRACE MTG, 5/8 LG (88044) AN501A10-10	EA	2									16	23	
O 00742	5305-514-8004	SCREW, MACHINE: BRACE MTG, 1/2 LG (88044) AN505-6-8	EA	2									16	19	
O 00743		SCREW, MACHINE: BRACKET MTG, 3/4 LG, CHROMATE (88044) AN505-8-10	EA	1									16	7	
O 00744	5305-543-5743	SCREW, MACHINE: BRACKET MTG, 3/4 LG CHROMATE (96906) MS35224-65	EA	1									16	5	
O 00745	5305-579-5025	SCREW, MACHINE: FRONT RACK MTG, 5/8 LG, CHROMATE (96906) MS35224-64	EA	4									16	13	
O 00746	5305-576-0528	SCREW, MACHINE: REAR RACK MTG, 3/4W LG, CHROMATE (96906) MS35223-47	EA	4									16	14	
00747		5014 - AIR RECEIVER													
P F 00748	4310-433-3011	CUSHION, TANK (78385) 430-0094	EA	1	2	2	4	2	2	4	20	100	6	44	
X2F 00749		HARNESS ASSEMBLY: AIR TANK (78385) 643-0021	EA	1									19	2	
X2F 00750		TANK, AIR (03686) 65750	EA	1									19	1	
P O 00751	1450-055-9084	VALVE ASSEMBLY: PRESSURE RELIEF, AIR RECEIVER (78385) 116B100-10	EA	1	REF	REF	REF	REF	REF	REF	REF	REF	17		
X1 00752		BALL, METAL (88041) 216CP16	EA	1									17	8	
X1 00753		BODY, VALVE (78385) 116B101	EA	1									17	10	
X1 00754	5330-876-3896	PACKING, PREFORMED (78385) 116A153	EA	1									17	6	
X1 00755	1450-386-8782	PISTON ASSEMBLY: RELIEF VALVE (78385) 116A111-0	EA	1									17	7	

(1) SMR CODE	(2) FEDERAL STOCK NUMBER	(3) DESCRIPTION  REF NUMBER & MFR CODE	USABLE ON CODE	(4) UNIT OF MEAS	(5) QTY INC IN UNIT	(6) 30-DAY DS MAINT ALLOWANCE			(7) 30-DAY GS MAINT ALLOWANCE			(8) 1-YR ALW PER 100 EQUIP CNTGY	(9) DEPOT MAINT ALW PER 100 EQUIP	(10) ILLUS- TRATION	
						(a)	(b)	(c)	(a)	(b)	(c)			(a)	(b)
						1-20	21-50	51-100	1-20	21-50	51-100			FIG. NO.	ITEM NO.
X1 00756	1450-055-2789	RETAINER, SPRING (78385) 116A120	EA	1								17	5		
X1 00757	1450-055-2790	SCREW, ADJUSTING (78385) 116A121	EA	1								17	2		
X1 00758	1450-876-3897	SHIM, SPRING (78385) 116B124	EA	2								17	4		
X1 00759	1650-527-1773	SPRING: BALL RETURN (78385) 116A103	EA	1								17	9		
X1 00760	1650-526-9709	SPRING: BALL VALVE (78385) 66A417	EA	1								17	3		
X1 00761	1450-386-8781	STEM: RELIEF VALVE (78385) 116A110	EA	1											
00762		5015 - AIR DISCHARGE SYSTEM													
O 00763	4730-231-3028	ELBOW: TUBE TO CYLINDER (88044) AN833-6	EA	2								8	39		
X20 00764		GASKET, TUBE FITTING: ELBOW TO CYLINDER (78385) 130A0457	EA	4								8	4		
O 00765	4730-277-5084	NUT, FLARED TUBE: ELBOW TO CYLINDER, 1/4 NUT (88044) AN6289-6	EA	3								8	2		
O 00766	4730-277-5083	NUT, FLARED TUBE: VALVE TO CYLINDER, 1/4 NUT (88044) AN6289-6	EA	1								8	2		
O 00767	4730-088-8520	REDUCER: THIRD STAGE CYLINDER (78385) 3750231	EA	1								8	60		
X20 00768	5330-186-1295	RING, BACKUP: ELBOW AND VALVE TO (96906) MS28777-6	EA	4								8	3		
O 00769		TEE: TUBE TO FIRST STAGE CYLINDER HEAD (78385) 4428-0169	EA	1								8	1		



ME 4310-226-25P/1 ①

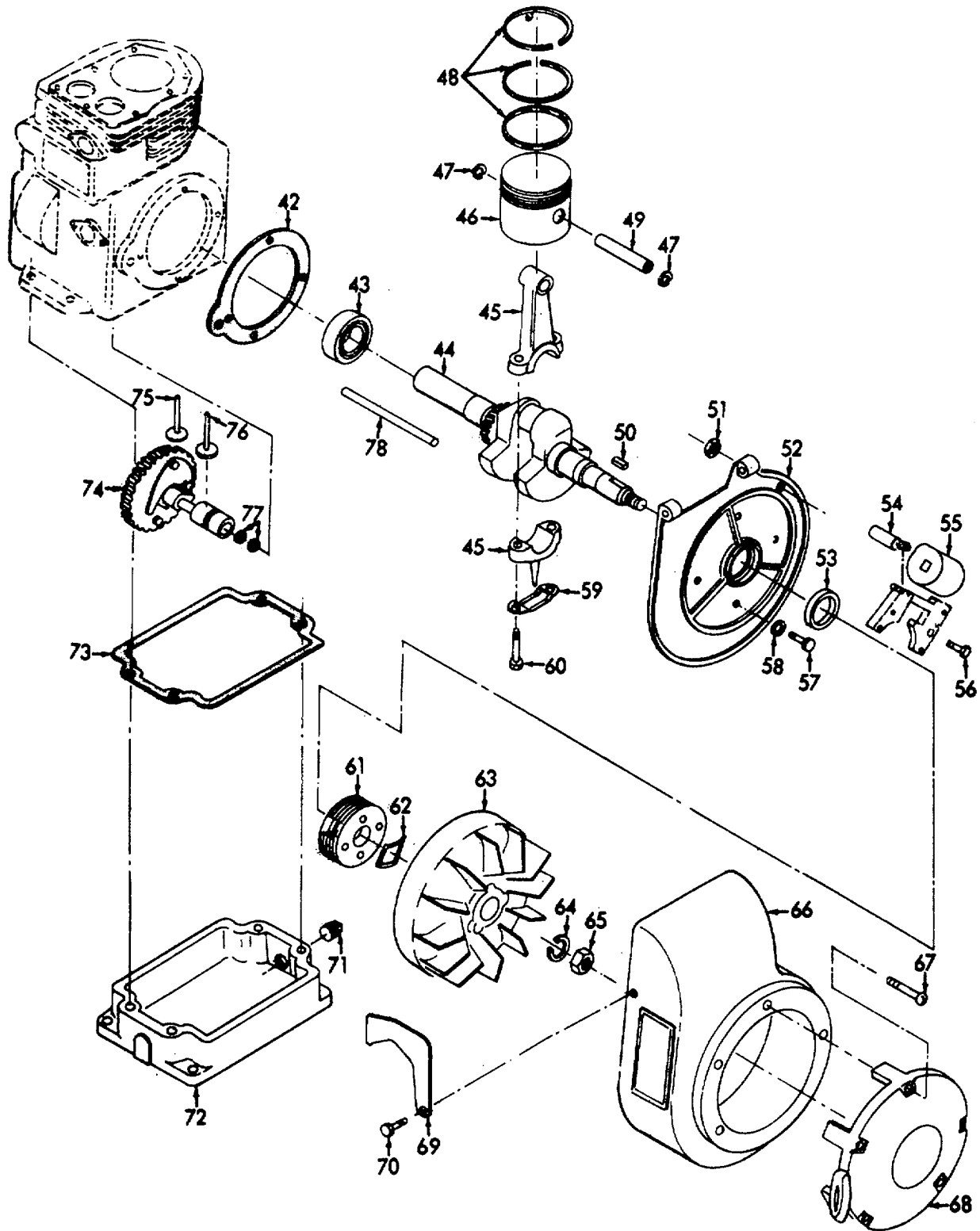
Figure No. 1 (1). Engine

LEGEND TO PARTS, FIGURE 1 (1)

ITEM NO.	FUNCT GROUP	ITEM NAME	ITEM NO.	FUNCT GROUP	ITEM NAME	ITEM NO.	FUNCT GROUP	ITEM NAME
1	0502	BAFFLE	15	0106	SCREW	29	0605	GASKET
2	0605	PLUG	16	0105	KEEPER	30	0605	ROD
3	0605	CABLE	17	0105	STUD	31	0605	BREAKER AY
4	0101	SCREW	18	0105	GASKET	32	0605	LEAD
5	0101	WASHER	19	0106	BREATHER AY	33	0605	COVER AY
6	0101	SCREW	20	0106	SEAL	34	0605	SCREW
7	0101	SCREW	21	0106	FILTER	35	0102	SEAL
8	0101	BAFFLE	22	0105	COVER AY	36	0401	MUFFLER
9	0101	HEAD	23	0105	WASHER	37	0102	PLATE
10	0101	GASKET	24	0105	NUT	38	0102	SCREW
11	0105	VALVE	25	0105	RETAINER	39	0401	NUT
12	0105	VALVE	26	0105	ROTATOR	40	0401	GASKET
13	0105	GUIDE	27	0105	SPRING	41	0401	STUD
14	0101	BLOCK	28	0105	SPRING	42	0105	INSERT

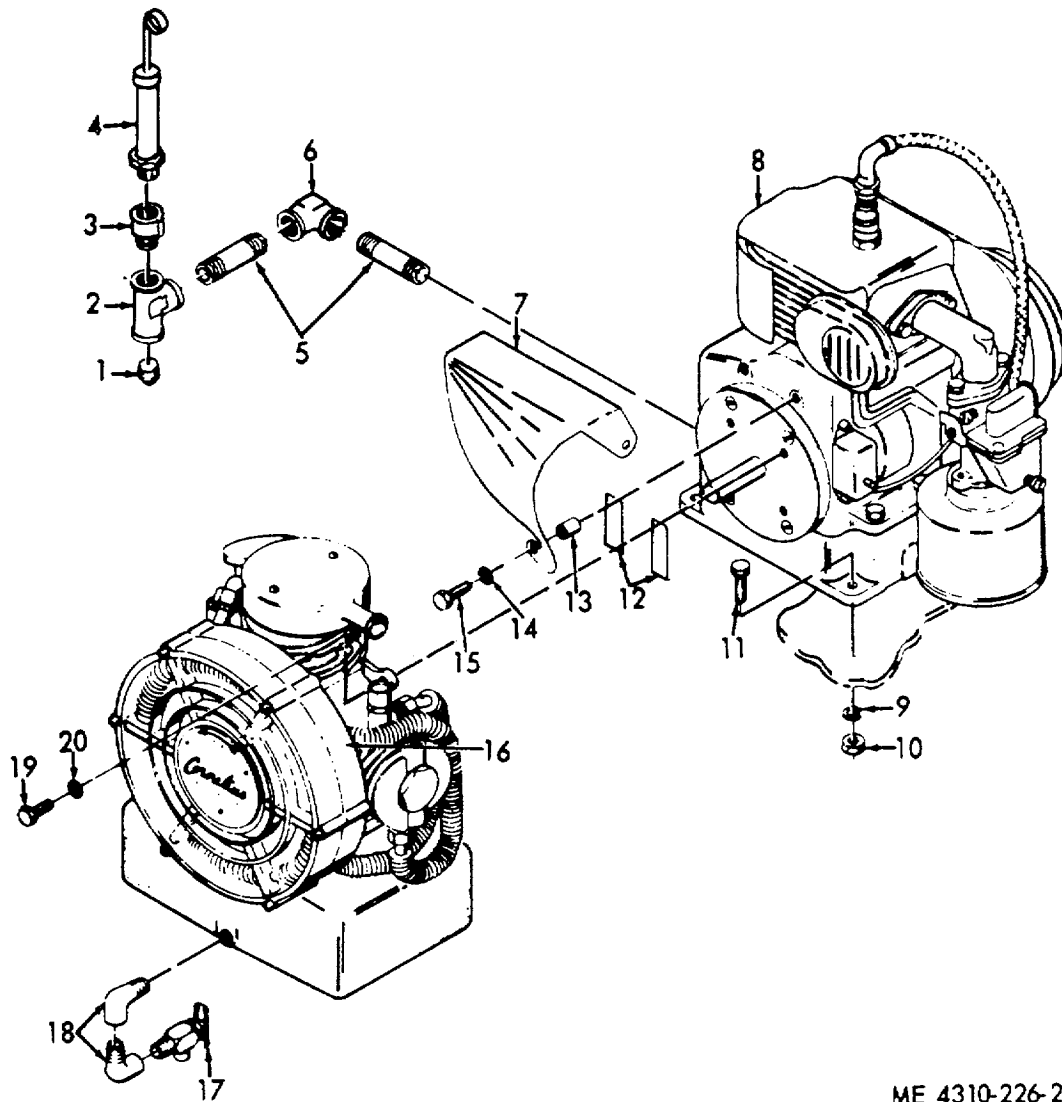
LEGEND TO PARTS, FIGURE 1 (2)

ITEM NO.	FUNCT GROUP	ITEM NAME	ITEM NO.	FUNCT GROUP	ITEM NAME	ITEM NO.	FUNCT GROUP	ITEM NAME
42	0102	GASKET	55	0605	COIL	67	0107	SCREW
43	0102	BEARING	56	0605	SCREW	68	0107	STARTER AY
44	0102	CRANKSHAFT	57	0102	WASHER	69	0502	BAFFLE
45	0101	ROD	58	0102	WASHER	70	0502	SCREW
46	0104	PISTON AY	59	0104	LOCK	71	0106	PLUG
47	0104	RETAINER	60	0104	SCREW	72	0106	PAN
48	0104	RING SET	61	0605	ROTOR	73	0106	GASKET
49	0104	PIN	62	0605	WASHER	74	0105	CAMSHAFT AY
50	0102	KEY	63	0103	FLYWHEEL	75	0105	TAPPET
51	0102	PLUG	64	0103	WASHER	76	0105	TAPPET
52	0102	PLATE AY	65	0103	NUT	77	0105	SPACER
53	0102	SEAL	66	0502	HOUSING	78	0105	PIN



ME 4310-226-25P/1 (2)

Figure No. 1 (2). Engine

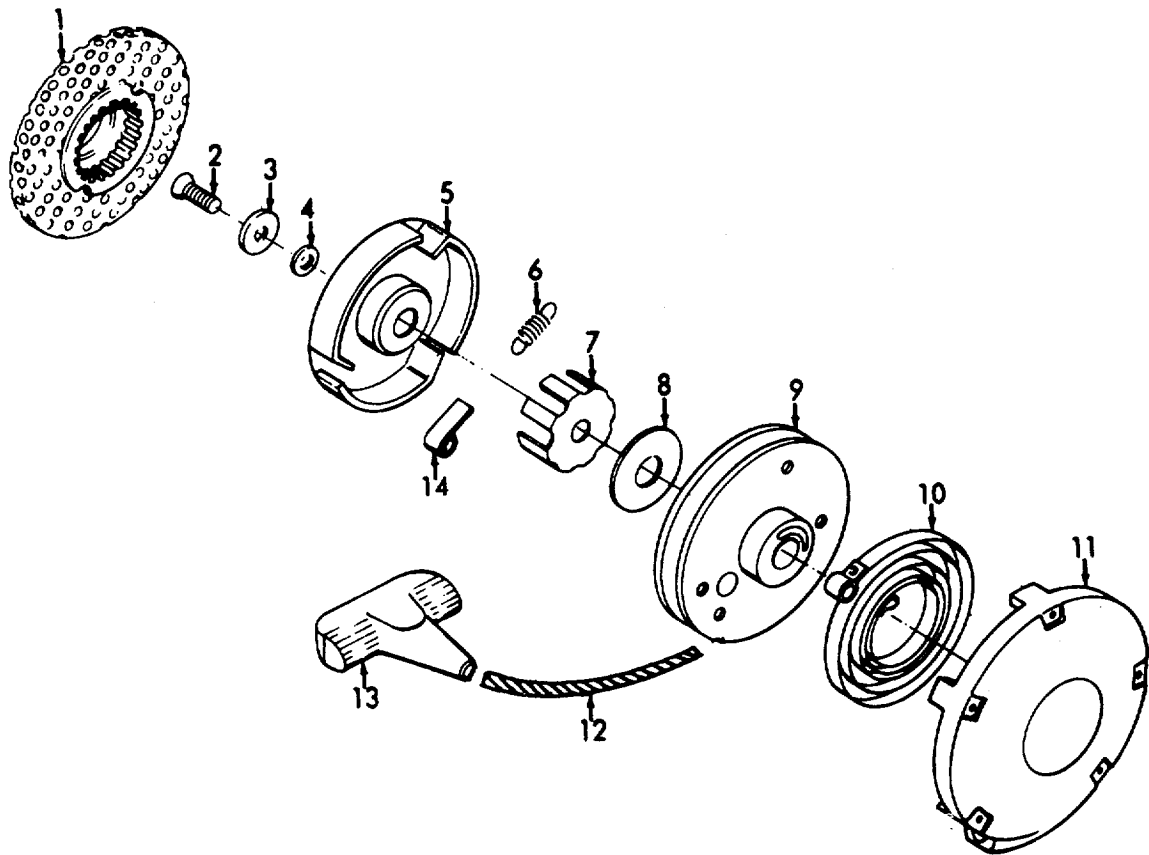


ME 4310-226-25P/2

Figure No. 2. Engine And Compressor

LEGEND TO PARTS, FIGURE 2

ITEM NO.	FUNCT GROUP	ITEM NAME	ITEM NO.	FUNCT GROUP	ITEM NAME	ITEM NO.	FUNCT GROUP	ITEM NAME
1	0106	PLUG, PIPE	8	0100	ENGINE, GASLNE	15	0101	SCREW, CAP
2	0106	TEE, PIPE	9	0100	WASHER, LOCK	16	5000	COMPRESSOR AY
3	0106	EXTENSION, PIP	10	0100	NUT, HEXAGON	17	5006	COCK, DRAIN
4	0106	DIPSTICK	11	0100	SCREW, CAP	18	5006	ELBOW, STREET
5	0106	NIPPLE, PIPE	12	5000	SPACER, DRIVE	19	5000	SCREW, CAP
6	0106	ELBOW, 90 DGRE	13	0101	SPACER, BAFFLE	20	5000	WASHER, LOCK
7	0101	PLATE, BAFFLE	14	0101	WASHER, LOCK			

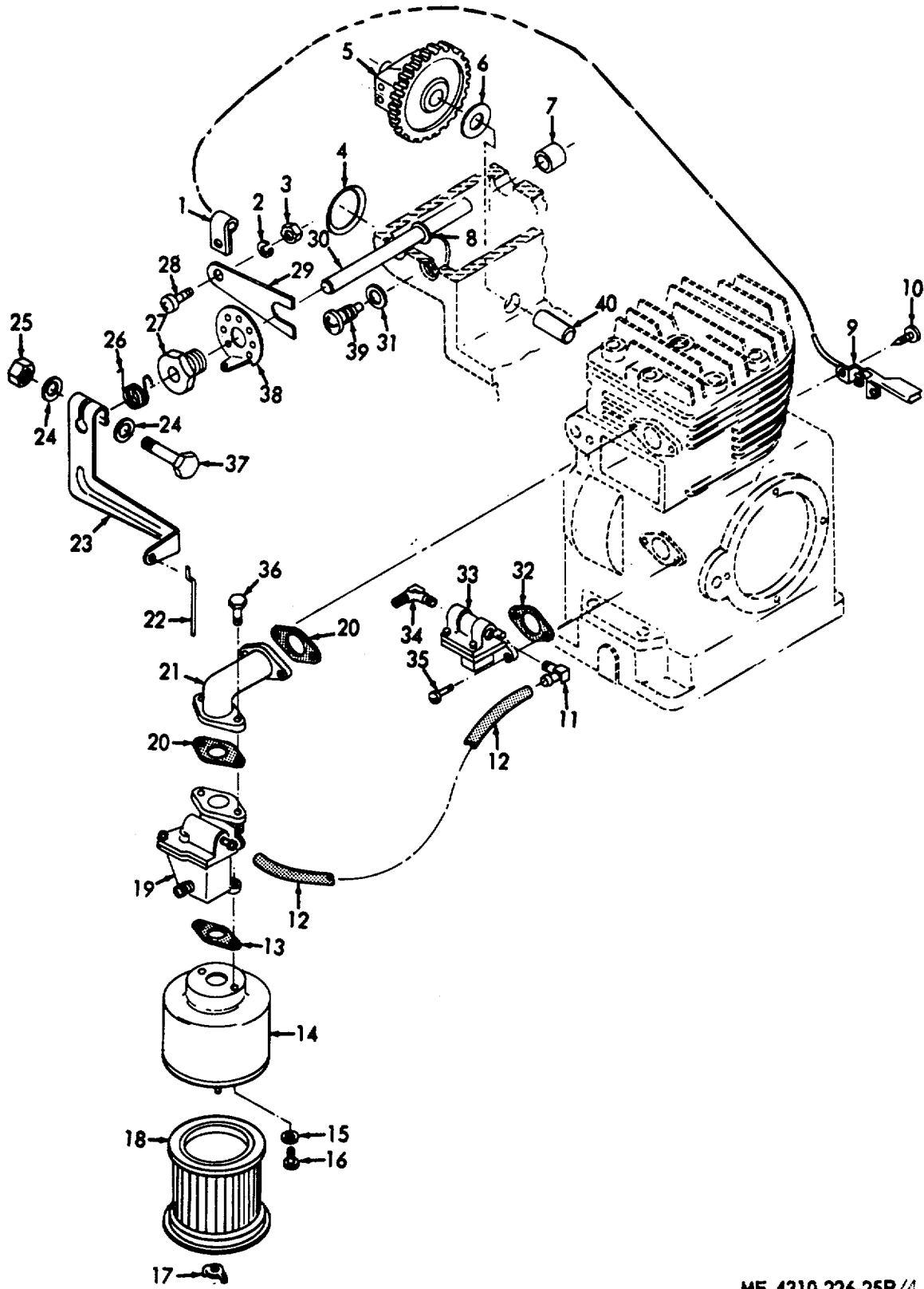


ME 4310-226-25P/3

Figure No. 3. Recoil Starter

LEGEND TO PARTS, FIGURE 3

ITEM NO.	FUNCT GROUP	ITEM NAME	ITEM GROUP	FUNCT NAME	ITEM
1	0107	CUP, DRIVE	8	0107	WASHER, THRUST
2	0107	SCREW	9	0107	PULLEY
3	0107	WASHER	10	0107	SPRING, RECOIL
4	0107	WASHER	11	0107	HOUSING AY
5	0107	RETAINER	12	0107	ROPE
6	0107	SPRING, RETNR	13	0107	HANDLE AY
7	0107	BRAKE	14	0107	DOG



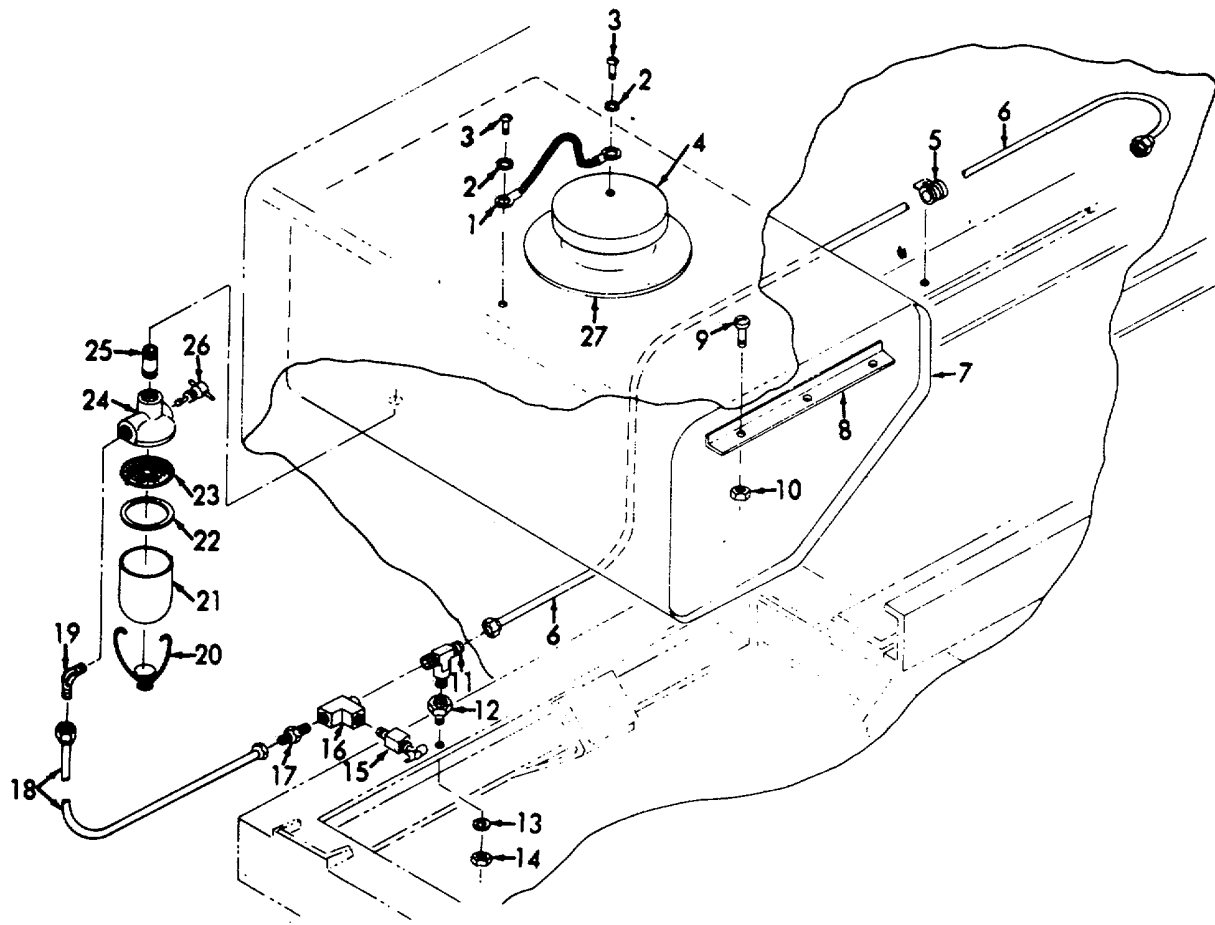
ME 4310-226-25P/4

Figure No. 4. Carburetor, Fuel Pump, Air Cleaner And Governor



## LEGEND TO PARTS, FIGURE 4

ITEM NO.	FUNCT GROUP	ITEM NAME	ITEM NO.	FUNCT GROUP	ITEM NAME
1	0312	CLIP	21	0301	ELBOW
2	0312	WASHER	22	0308	LINKAGE
3	0312	NUT	23	0308	LEVER
4	0101	PLUG	24	0308	WASHER
5	0301	GEAR	25	0308	NUT
6	0308	WASHER	26	0308	SPRING
7	0308	BEARING	27	0308	BUSHING
8	0308	WASHER	28	0312	SCREW
9	0312	CONTROL AY	29	0308	BRACKET
10	0312	SCREW	30	0308	SHAFT
11	0306	ELBOW	31	0308	WASHER
12	0306	LINE	32	0302	GASKET
13	0304	GASKET	33	0302	PUMP AY
14	0304	BASE	34	0306	ELBOW
15	0304	WASHER	35	0302	SCREW
16	0304	SCREW	36	0301	SCREW
17	0304	NUT	37	0308	SCREW
18	0304	ELEMENT	38	0308	DISC
19	0301	CARBURETOR AY	39	0308	PIN
20	0301	GASKET	40	0101	SHAFT

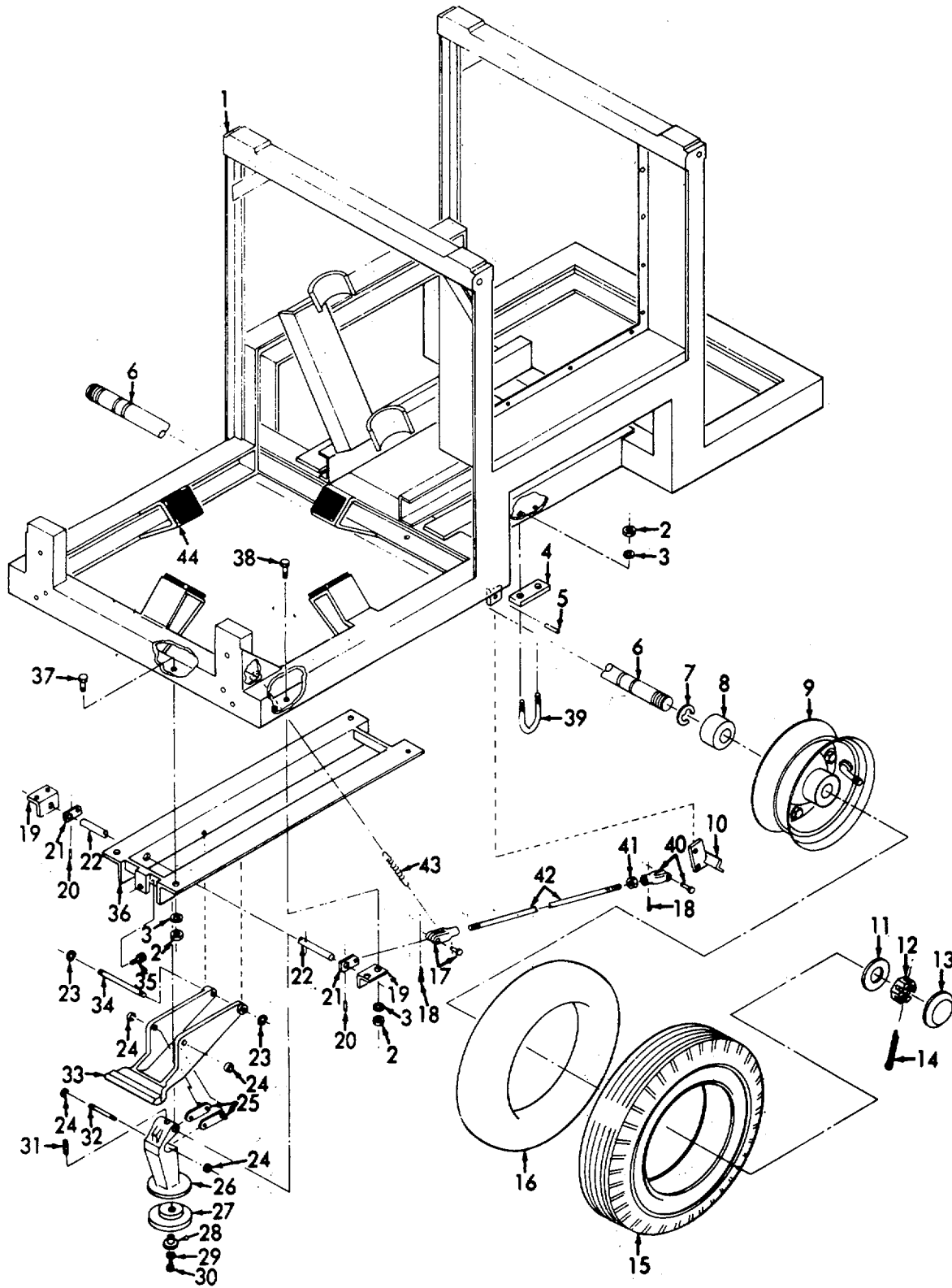


ME 4310-226-25P/5

Figure No. 5. Tank Lines And Filter

LEGEND TO PARTS, FIGURE 5

ITEM NO.	FUNCT GROUP	ITEM NAME	ITEM NO.	FUNCT GROUP	ITEM NAME
1	0306	CHAIN	15	0306	COOK
2	0306	WASHER	16	0306	TEE
3	0306	RIVET	17	0306	CONNECTOR
4	0306	CAP AY	18	0306	TUBE AY
5	0306	CLAMP	19	0306	ELBOW
6	0306	TUBE AY	20	0309	BAIL AY
7	0306	TANK	21	0309	BOWL
8	0306	BRACKET	22	0309	GASKET
9	0306	SCREW	23	0309	SCREEN
10	0306	NUT	24	0309	TOP
11	0306	TEE	25	0306	NIPPLE
12	0306	STUD	26	0309	VALVE AY
13	0306	WASHER	27	0306	GROMMET
14	0306	NUT			



ME 4310-226-25P/6

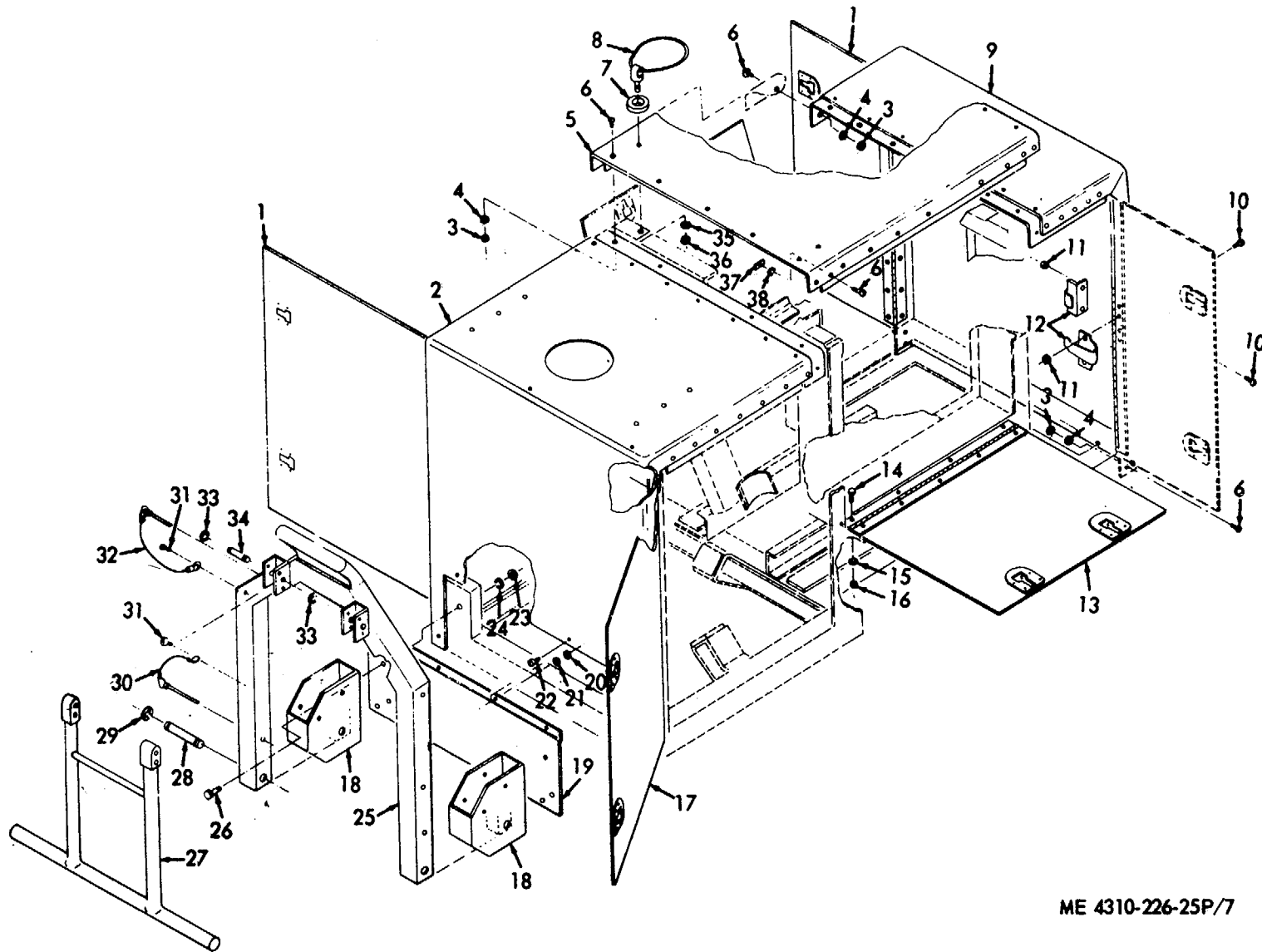
Figure No. 6. Frame And Wheel

LEGEND TO PARTS, FIGURE 6

ITEM NO.	FUNCT GROUP	ITEM NAME	ITEM NO.	FUNCT GROUP	ITEM NAME	ITEM NO.	FUNCT GROUP	ITEM NAME
1	1501	FRAME AY	14	1311	PIN	29	1507	WASHER
2	1100	NUT	15	1313	TIRE	30	1507	SCREW
2	1501	NUT	16	1313	TUBE	31	1206	PIN
3	1100	WASHER	17	1313	YOKE	32	1206	PIN
3	1501	WASHER	18	1206	PIN	33	1206	PEDAL
4	1100	SPACER	19	1501	BRACKET AY	34	1206	PIN
5	1100	PIN	20	1206	PIN	35	1206	SCREW
6	1100	SHAFT	21	1206	LEVER	36	1503	SUPPORT
7	1311	RING	22	1206	SHAFT	37	1501	SCREW
8	1311	SPACER	23	1206	RING	38	1501	SCREW
9	1311	WHEEL AY	24	1206	RING	39	1100	U -BOLT
10	1206	SHOE	25	1206	LINE AY	40	1206	YOKE
11	1311	WASHER	26	1206	FOOT	41	1206	NUT
12	1311	NUT	27	1507	FOOT	42	1206	ROD
13	1311	CAP	28	1507	WASHER	43	1206	SPRING
						44	5014	CUSHION

LEGEND TO PARTS, FIGURE 7

ITEM NO.	FUNCT GROUP	ITEM NAME	ITEM NO.	FUNCT GROUP	ITEM NAME	ITEM N3.	FUNCT GROUP	ITEM NAME
1	1801	DOOR AY	14	1801	BOLT	27	1503	HANDLE
2	1801	HOUSING AY	15	1801	WASHER	28	1503	PIN
3	1801	NUT	16	1801	NUT	29	1503	RING
4	1801	WASHER	17	1801	DOOR AY	30	1503	PIN
5	1801	HOUSING-AY	18	1503	BRACKET	31	1503	RIVET
6	1801	SCREW	19	1801	PANEL	32	1503	PIN
7	1501	WASHER	20	1801	NUT	33	1503	RING
8	1501	RING	21	1801	WASHER	34	1503	PIN
9	1801	HOUSING AY	22	1801	SCREW	35	1501	WASHER
1D	1801	SCREW	23	1503	NUT	36	1501	NUT
11	1801	NUT	24	1503	WASHER	37	1901	NUT
12	1801	SPRING	25	1503	BAR	38	1801	WASHER
13	1801	DOOR AY	26	1503	SCREW			



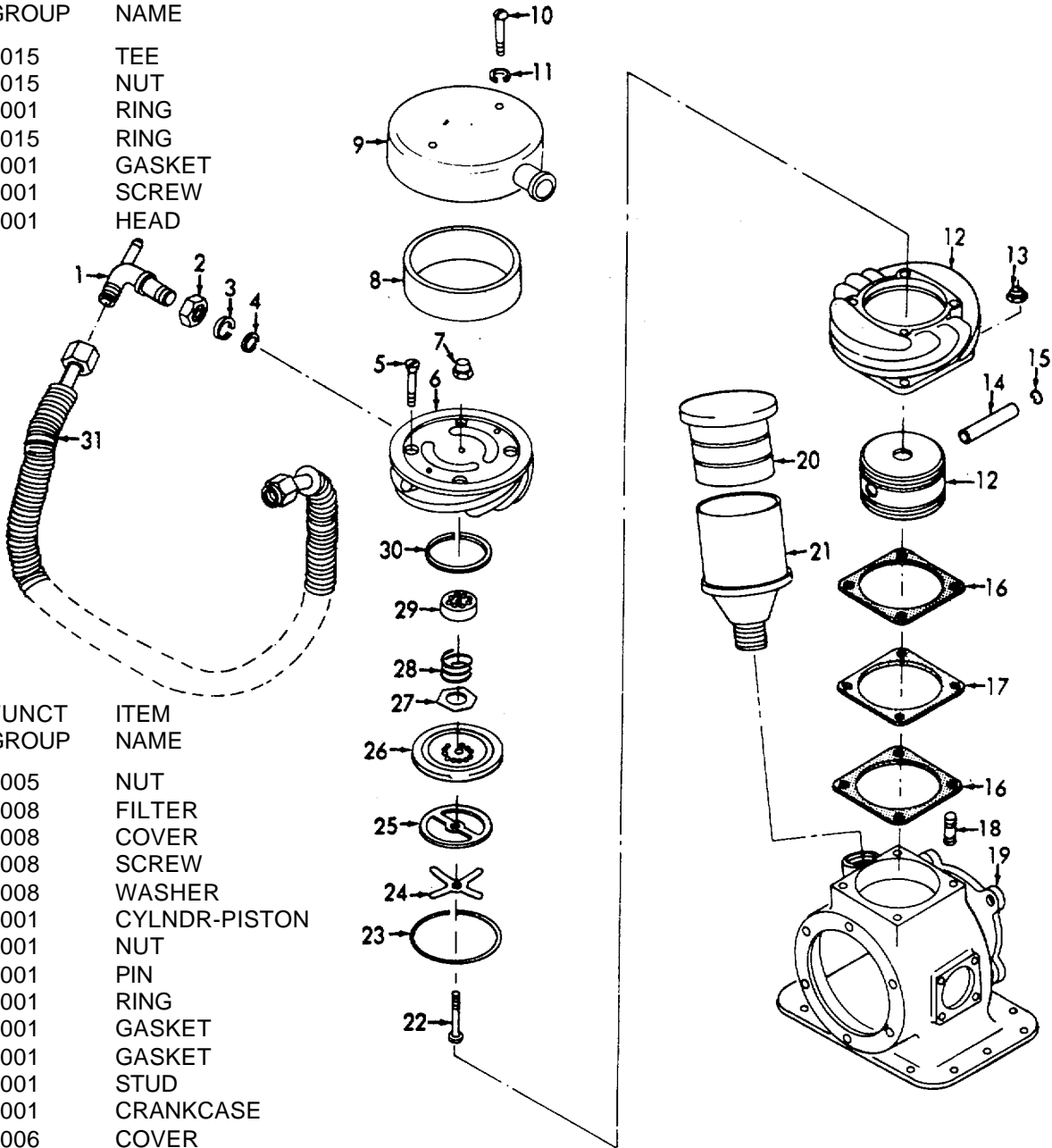
ME 4310-226-25P/7

Figure No. 7. Doors, Tow Bar And Housing

LEGEND TO PARTS, FIGURE 8 (1)

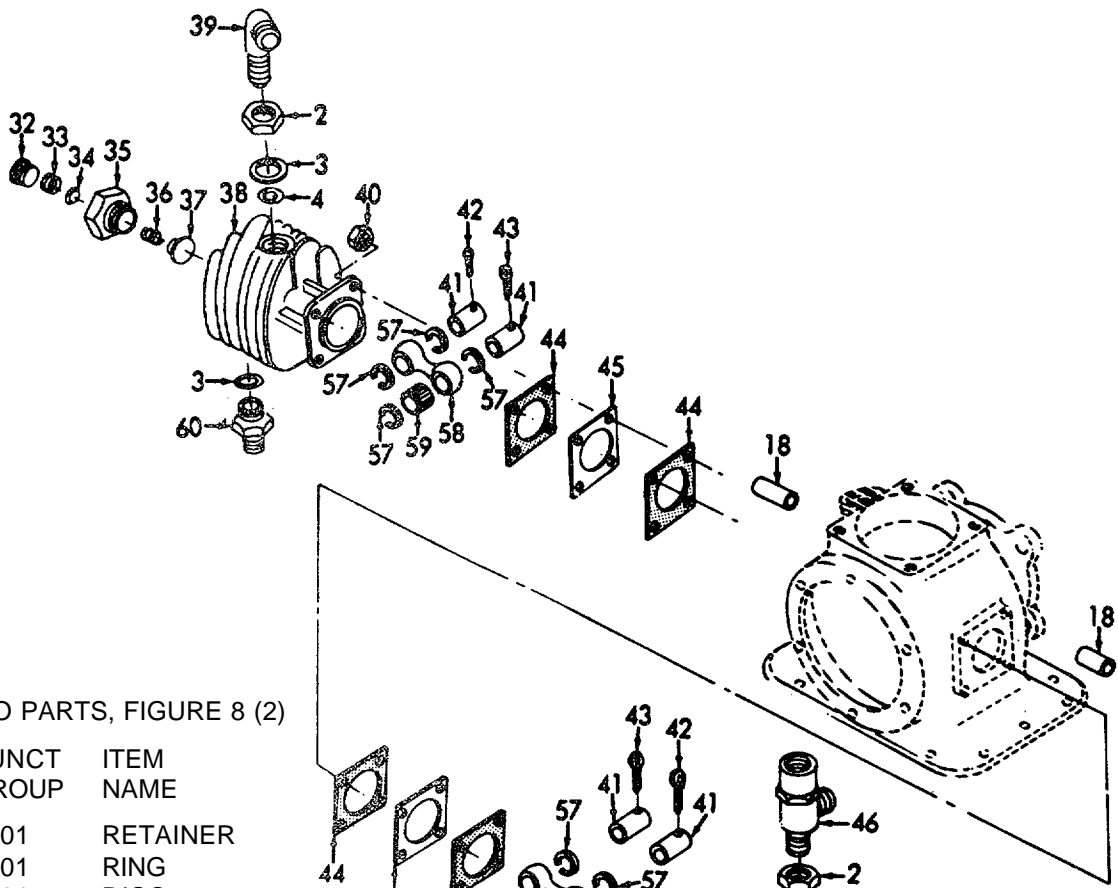
ITEM NO.	FUNCT GROUP	ITEM NAME
1	5015	TEE
2	5015	NUT
3	5001	RING
3	5015	RING
4	5001	GASKET
5	5001	SCREW
6	5001	HEAD

ITEM NO.	FUNCT GROUP	ITEM NAME
7	5005	NUT
8	5008	FILTER
9	5008	COVER
10	5008	SCREW
11	5008	WASHER
12	3001	CYLNR-PISTON
13	5001	NUT
14	5001	PIN
15	5001	RING
16	5001	GASKET
17	5001	GASKET
18	5001	STUD
19	5001	CRANKCASE
20	5006	COVER
21	5006	BODY
22	5001	SCREW
23	5001	GASKET
23	5005	GASKET
24	5001	SPRING
25	5005	VALVE
26	5005	PLATE
27	5005	VALVE
28	5005	SPRING
29	5005	STOP
30	5005	PACKING
31	5009	TUBE AY



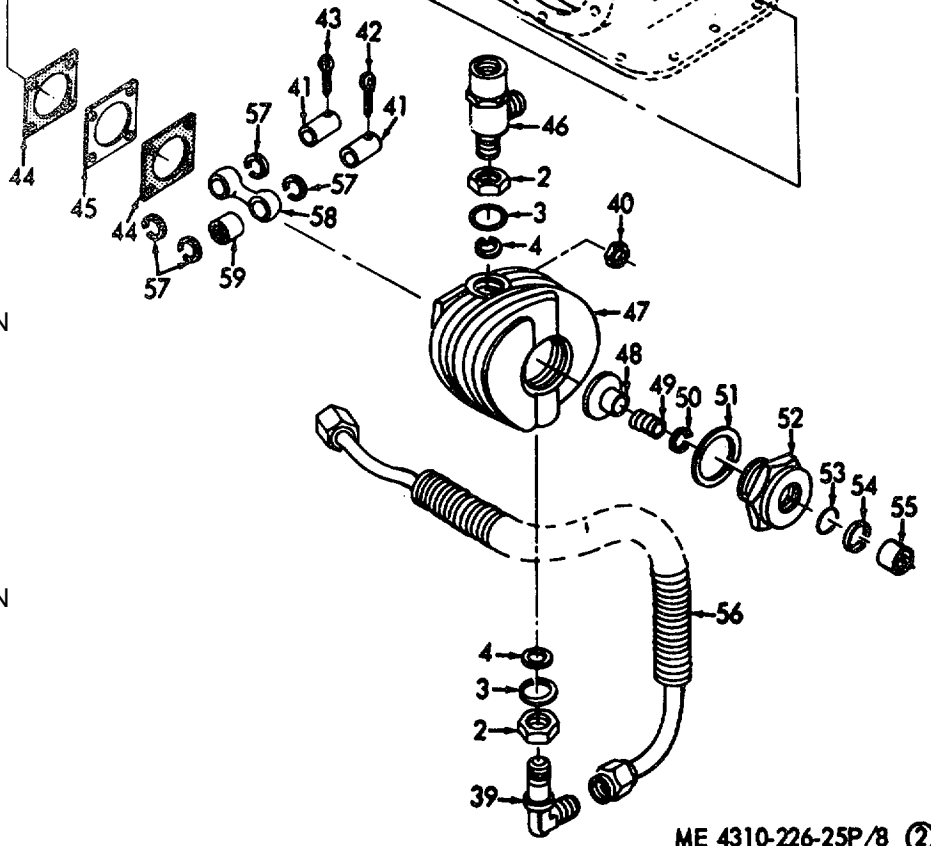
ME 4310-226-25P/8 (1)

Figure No. 8 (1). Crankcase, Cylinder Piston And Head



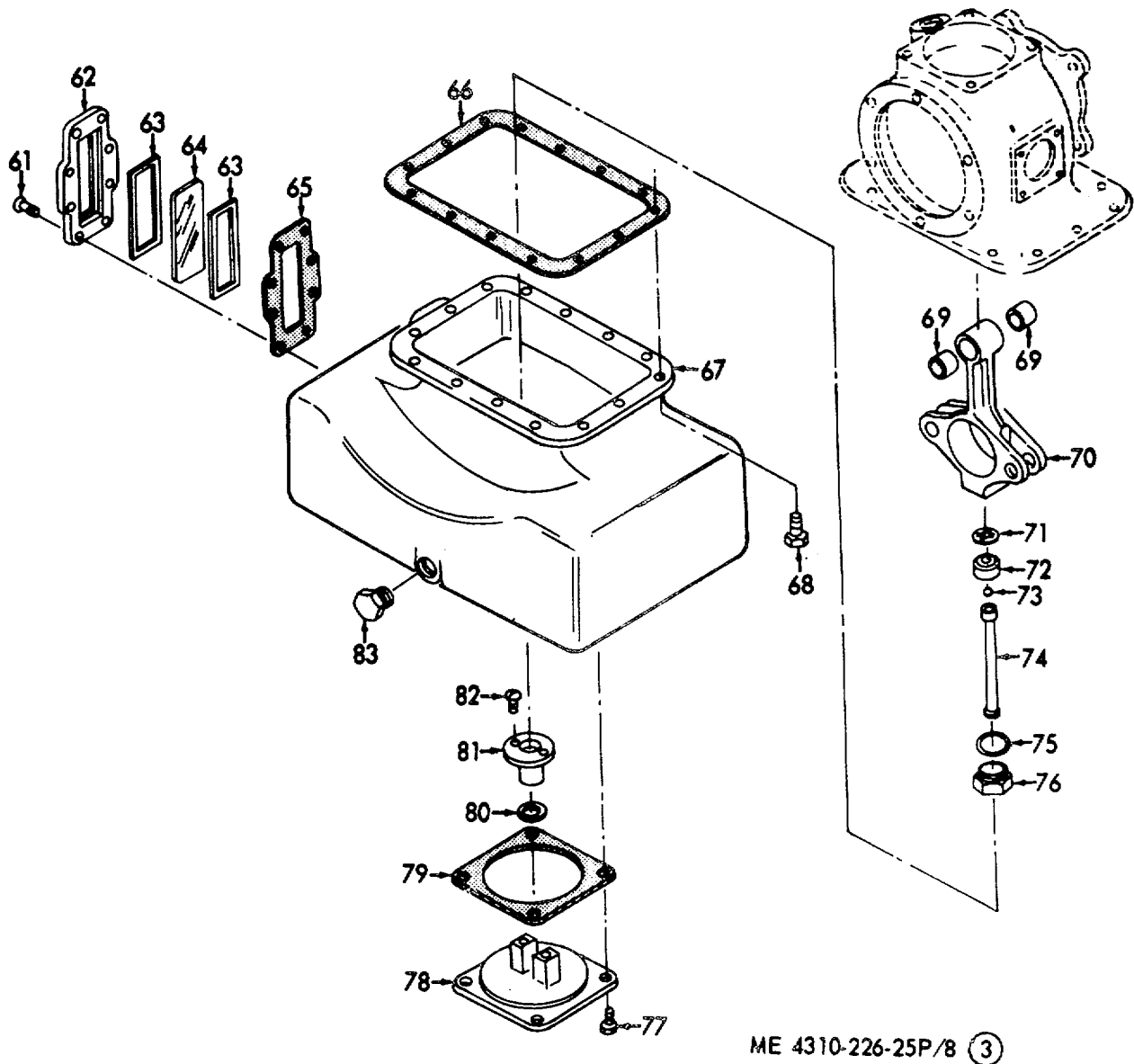
LEGEND TO PARTS, FIGURE 8 (2)

ITEM NO.	FUNCT GROUP	ITEM NAME
32	5001	RETAINER
33	5001	RING
34	5001	DISC
35	5001	CAP
36	5005	SPRING
37	5005	VALVE
38	5001	CYLNR-PISTON
39	5015	ELBOW
40	5001	NUT
41	5001	PIN
42	5001	PIN
43	5001	PIN
44	5001	GASKET
45	5001	GASKET
46	5001	VALVE AY
47	5001	CYLNR-PISTON
48	5005	VALVE
49	5005	SPRING
50	5005	WASHER
51	5001	PACKING
52	5001	CAP
53	5001	DISC
54	5001	RING
55	5001	SCREW
56	5009	TUBE AY
57	5001	WASHER
58	5001	LINK
59	5001	BEARING
60	5015	REDUCER



ME 4310-226-25P/8 (2)

Figure No. 8 (2). Crankcase, Cylinder Piston And Head



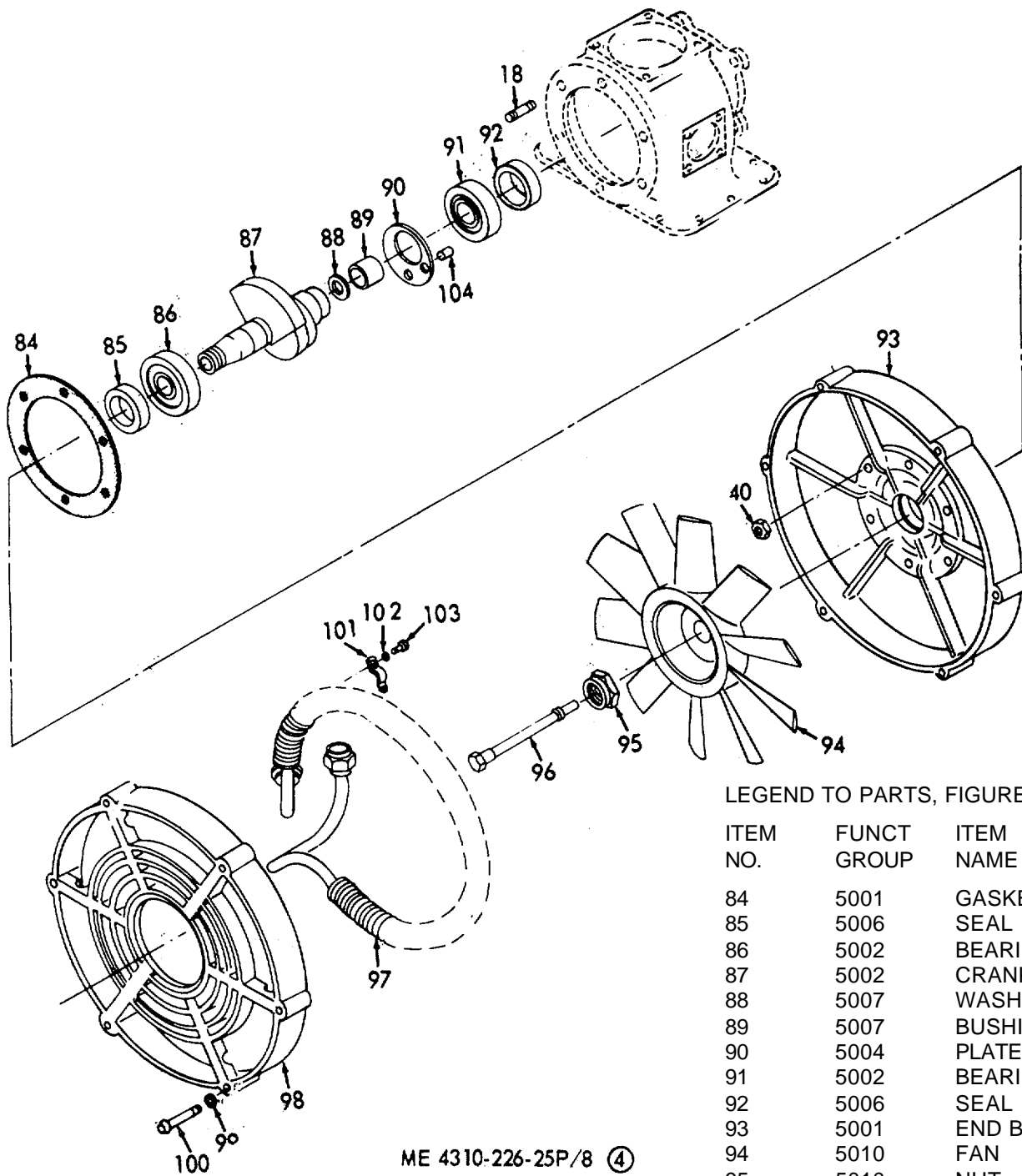
ME 4310-226-25P/8 (3)

Figure No. 8 (3). Crankcase, Cylinder Piston And Head

LEGEND TO PARTS, FIGURE 8 (3)

ITEM NO.	FUNCT GROUP	ITEM NAME	ITEM NO.	FUNCT GROUP	ITEM NO.	ITEM GROUP	FUNCT NAME	ITEM
61	5006	SCREW	69	5004	BEARING	77	5006	SCREW
62	5006	CAP	70	5004	ROD	78	5006	HOUSING
63	5006	GASKET	71	5006	RETAINER	79	5006	GASKET
64	5006	INDICATOR	72	5006	SOCKET	80	5006	PACKING
65	5006	GASKET	73	5006	BALL	81	5006	CYLINDER
66	5006	GASKET	74	5006	PISTON	82	5006	SCREW
67	5006	RESERVOIR	75	5006	SHIM	83	5006	PLUG
68	5006	SCREW	76	5006	RETAINER			



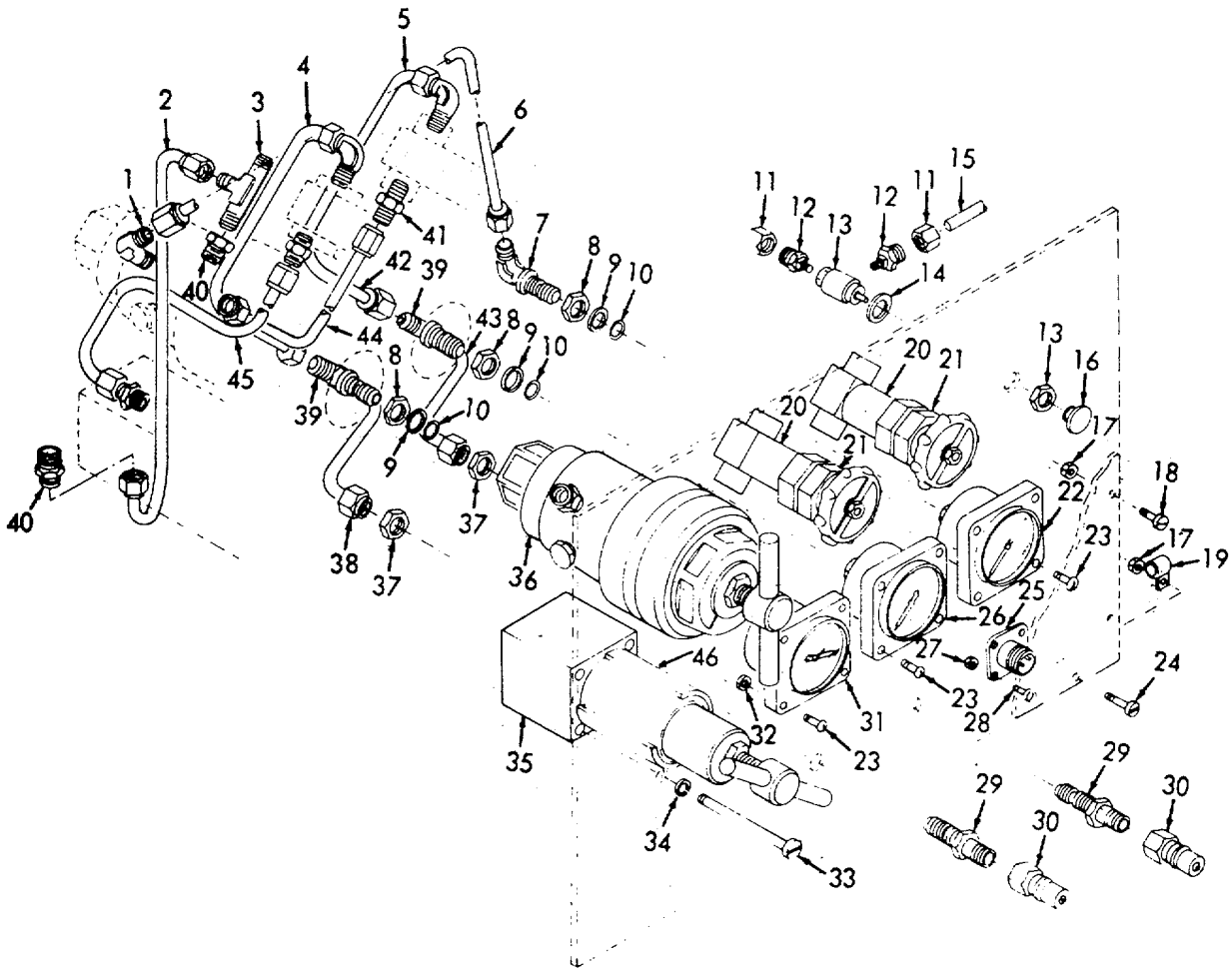


LEGEND TO PARTS, FIGURE 8 (4)

ITEM NO.	FUNCT GROUP	ITEM NAME
84	5001	GASKET
85	5006	SEAL
86	5002	BEARING
87	5002	CRANKSHAFT
88	5007	WASHER
89	5007	BUSHING
90	5004	PLATE
91	5002	BEARING
92	5006	SEAL
93	5001	END BELL
94	5010	FAN
95	5010	NUT
96	5007	BOLT
97	5010	AFTERCOOLER
98	5013	GUARD
99	5013	WASHER
100	5010	SCREW
101	5010	CLAMP
102	5010	WASHER
103	5010	SCREW
104	5004	PIN

ME 4310-226-25P/8 (4)

Figure No. 8 (4). Crankcase, Cylinder Piston And Head

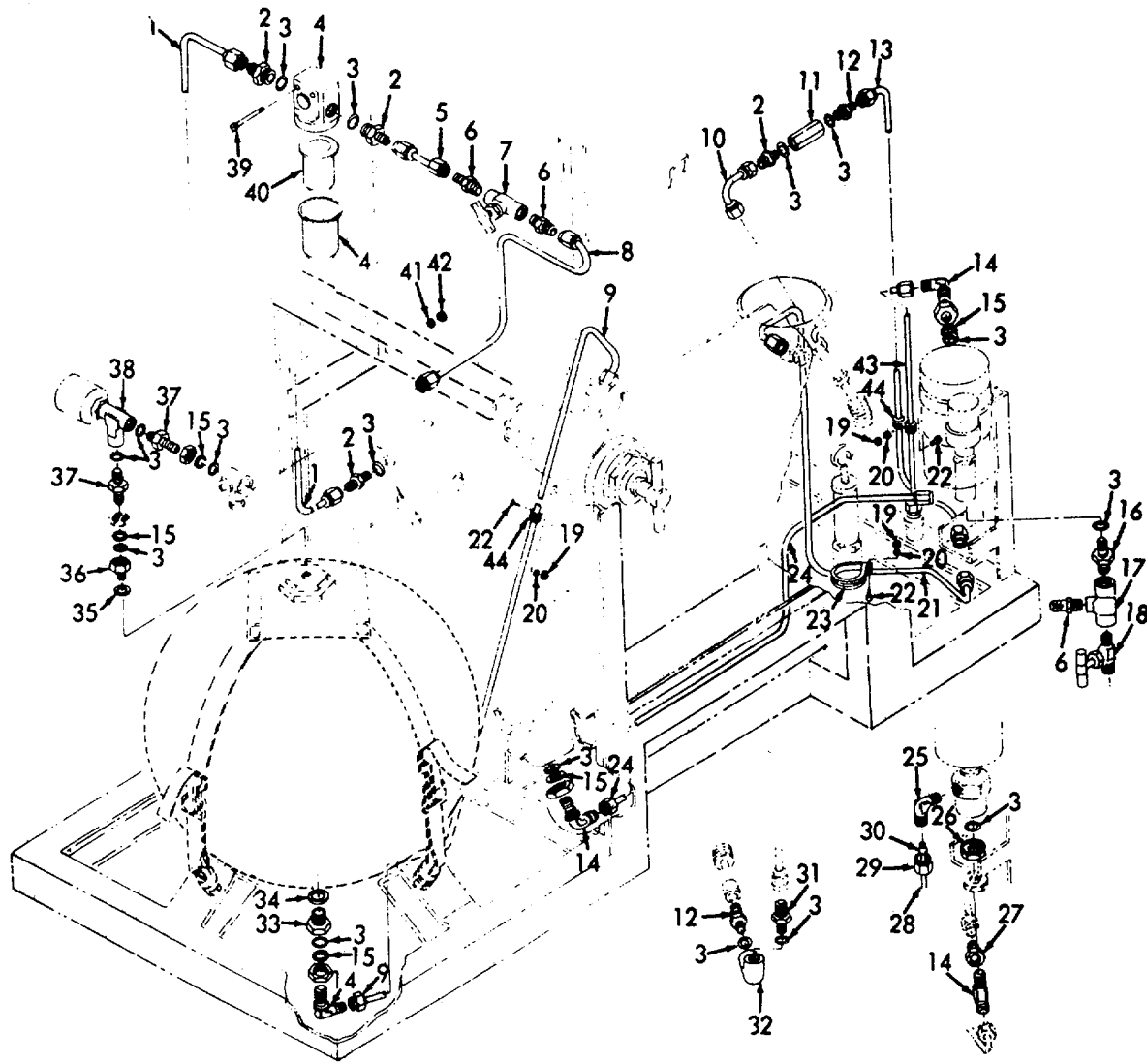


ME 4310-226-25P/9

Figure No. 9. Panel, Valves, Fittings And Tube

LEGEND TO PARTS, FIGURE 9

ITEM NO.	FUNCT GROUP	ITEM NAME	ITEM NO.	FUNCT GROUP	ITEM NAME	ITEM NO.	FUNCT GROUP	ITEM NAME
1	5009	ELBOW	16	5009	BUTTON	31	4702	GAGE
2	5009	TUBE	17	0607	NUT	32	4702	NUT
3	5009	TEE	18	0607	SCREW	33	5009	SCREW
4	5009	TUBE AY	19	5009	CLAMP	34	5009	WASHER
5	5009	TUBE AY	20	5009	VALVE	35	5009	VALVE
6	5909	TUBE AY	21	5009	NUT	36	5009	VALVE
7	5009	ELBOW	22	4702	GAGE	37	5009	NUT
8	5009	NUT	23	4702	SCREW	38	5009	TUBE AY
9	5009	RING	24	0607	SCREW	39	5009	TEE
10	5009	GASKET	25	0607	RECEPTACLE	40	5009	BUSHING
11	5009	NUT	26	4702	GAGE	11	5009	NIPPLE
12	5009	ADAPTER	27	0607	NUT	12	5009	TUBE AY
13	5009	VALVE	28	0607	SCREW	43	5009	TUBE AY
14	5009	WASHER	29	5009	UNION	44	5009	TUBE AY
15	5009	TUBE	30	5009	PLUG	45	5009	TUBE AY
						46	5009	SPACER



ME 4310-226-25P/10

Figure No. 10 (1). Pneumatic Lines And Fittings

LEGEND TO PARTS, FIGURE 10

ITEM NO.	FUNCT GROUP	ITEM NAME	ITEM NO.	FUNCT GROUP	ITEM NAME	ITEM NO.	FUNCT GROUP	ITEM NAME
1	5009	TUBE AY	16	5009	NIPPLE	31	5009	REDUCER
2	5009	UNION	17	5009	TEE	32	5009	ELBOW
3	5009	GASKET	19	5009	VALVE	33	5009	BUSHING
4	5009	FILTER	19	5009	NUT	34	5009	PACKING
5	5009	TUBE AY	20	5009	WASHER	35	5009	PACKING
6	5009	NIPPLE	21	5009	TUBE AY	36	5009	BUSHING
7	5009	VALVE	22	5009	SCREW	37	5009	UNION
8	5009	TUBE AY	23	5009	CLAMP	38	5009	TEE
9	5009	TUBE AY	24	5009	TUBE AY	39	5009	SCREW
10	5009	TUBE AY	25	5009	ELBOW	40	5009	ELEMENT
11	5009	COUPLING	26	5009	NUT	41	5009	WASHER
12	5009	FILTER UNION	27	5009	ORIFICE	42	5009	NUT
13	5009	TUBE AY	28	5009	TUBE	43	5009	TUBE AY
14	5009	ELBOW	29	5009	NUT	44	5009	CLAW
15	5009	RING	30	5009	SLEEVE			

LEGEND TO PARTS, FIGURE 11

ITEM NO.	FUNCT GROUP	ITEM NAME
1	5009	CAP
2	5009	PLATE
3	5009	SPRING
4	5009	BODY
5	5009	PACKING
6	5009	SEAT
7	5009	GASKET
8	5009	FITTING
9	5009	FITTING
10	5009	NUT
11	5009	RING
12	5009	CASKET
13	5009	PISTON
14	5009	RING

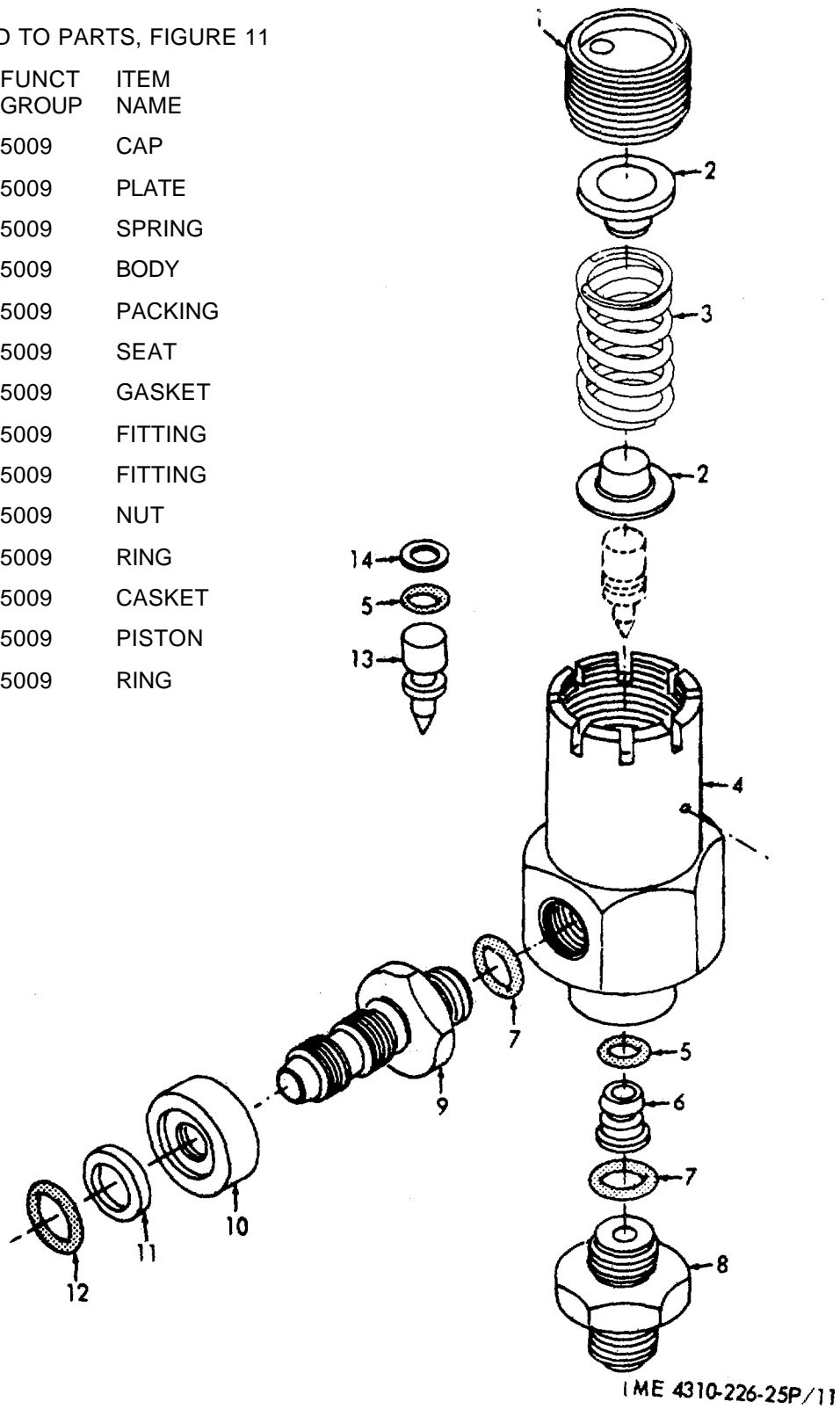
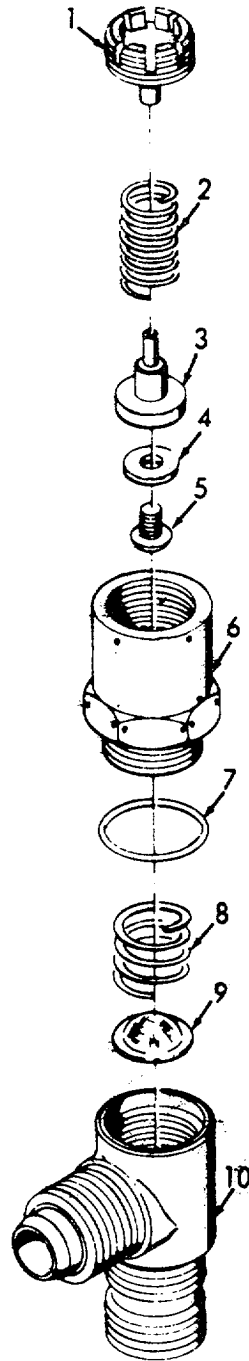


Figure No. 11. Back Pressure Valve

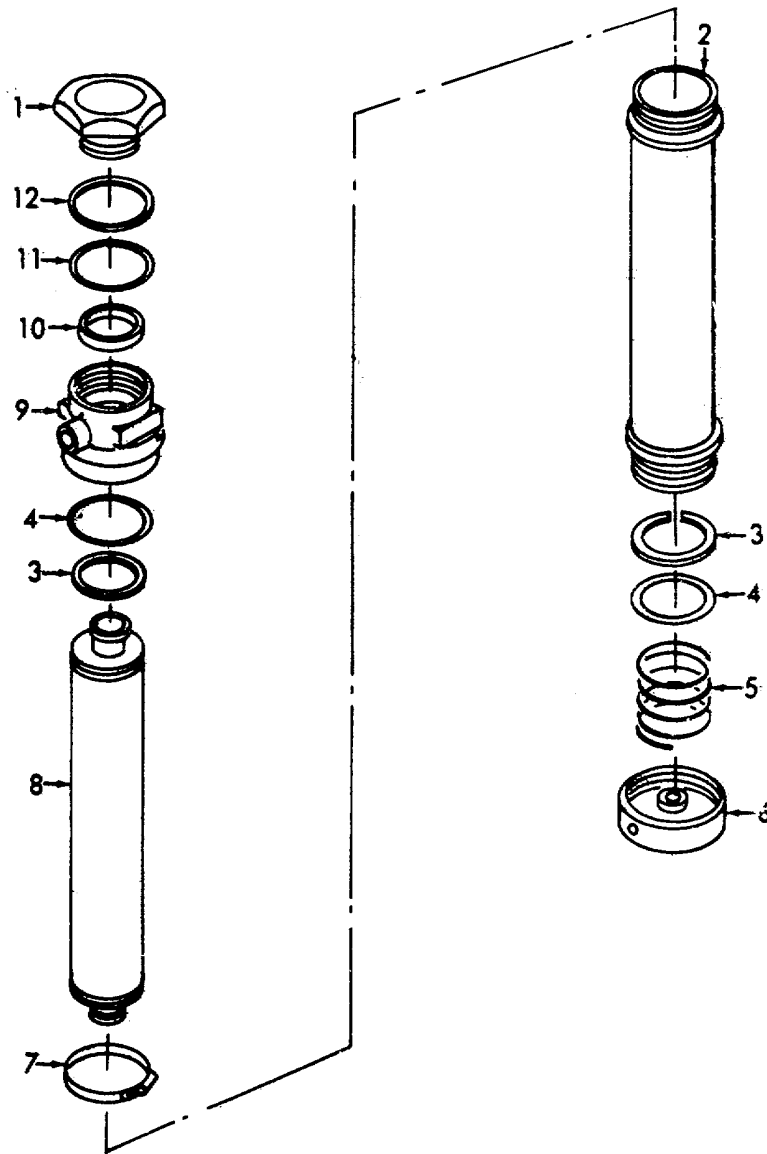
LEGEND TO PARTS, FIGURE 12

ITEM NO.	FUNCT GROUP	ITEM NAME
1	5009	PLUG, SPRING
2	5009	SPRING, INNR
3	5009	POPPET
4	5009	SEAT
5	5009	SCREW, SEAT
6	5009	HOUSING, SEAT
7	5009	PACKING, O-RING
8	5009	SPRING
9	5009	STRAINER.
10	5009	BODY, ELBOW



ME 4310-226-25P/12

Figure No. 12. Second Stage Strained And Relief Valve

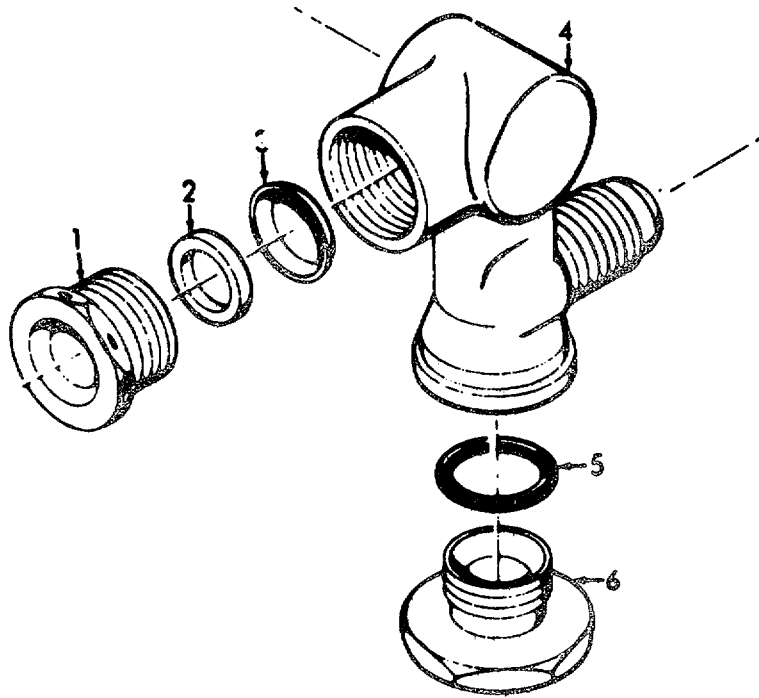


ME 4310-226-25P/13

Figure No. 13. Dehydrator

LEGEND TO PARTS, FIGURE 13

ITEM NO.	FUNCT GROUP	ITEM NAME	ITEM NO.	FUNCT GROUP	ITEM NAME
1	5009	CAP	7	5009	CLAW
2	5009	HOUSING	8	5009	CARTRIDGE AY
3	5009	RING	9	5009	ADAPTER
4	5009	PACKING	10	5009	DISC
5	5009	SPRING	11	5009	PACKING
6	5009	CAP	12	5009	RING



ME 4310-226-25P/14

Figure No. 14. Safety Fitting

LEGEND TO PARTS, FIGURE 14

ITEM NO.	FUNCT GROUP	ITEM NAME
1	5009	CAP, RETAINER
2	5009	RING, DISC
3	5009	DISC, RUPTURE
4	5009	HOUSING, FITT
5	5009	PACKING, O-RING
6	5009	CAP, FILTER



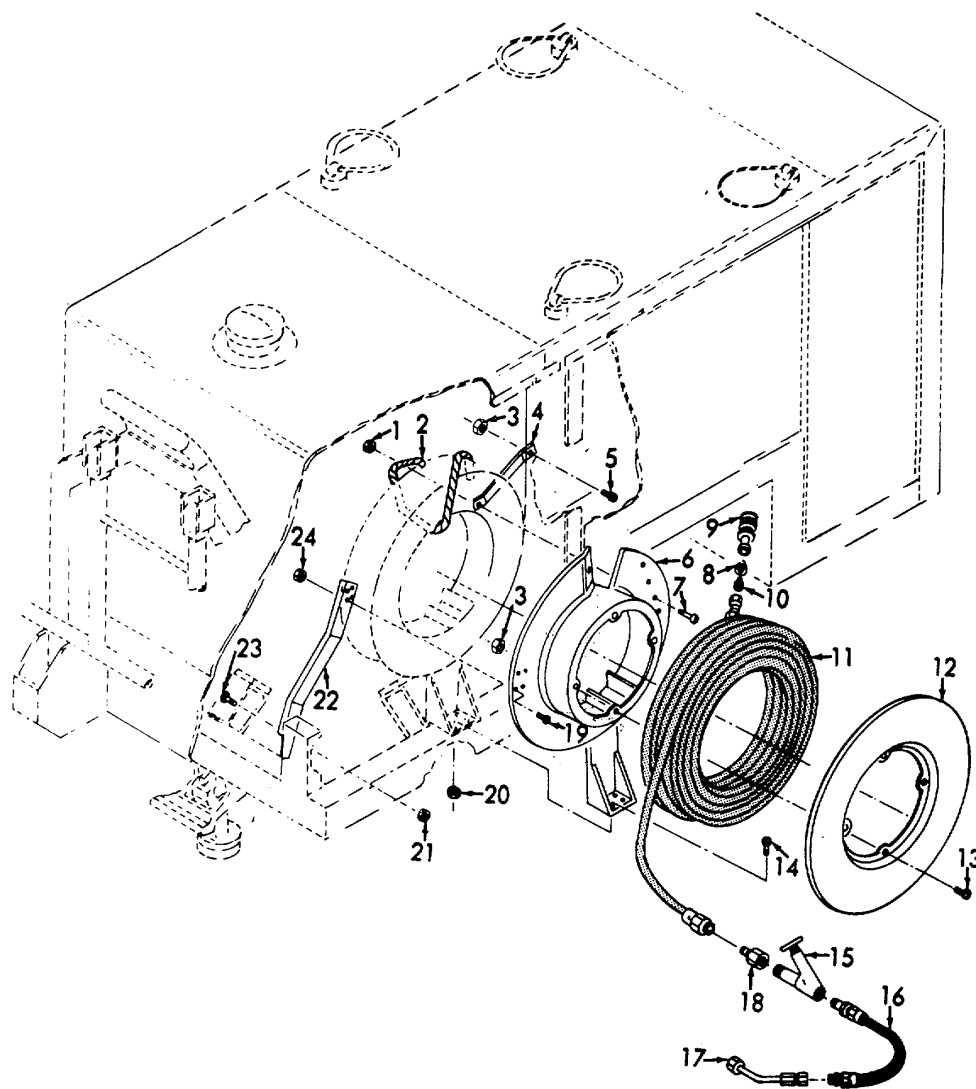
ME 4310-226-25P/15

Figure No. 15. Check Valve

LEGEND TO PARTS, FIGURE 15

ITEM NO.	FUNCT GROUP	ITEM NAME	ITEM NO.	FUNCT GROUP	ITEM NAME
1	5009	GASKET, TUBE	6	5009	POPPET
2	5009	SCREW, BODY	7	5009	SPRING, POPPET
3	5009	PACKING, O-RING	8	5009	GUIDE, POPPET
4	5009	SEAT, VALVE	9	5009	BODY, VALVE
5	5009	RETAINER, SEAT			





ME 4310-226-25P/16

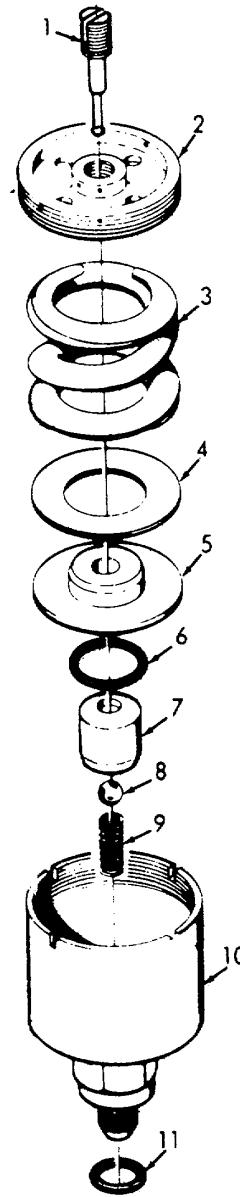
Figure No. 16. Air Hose And Reel

LEGEND TO PARTS, FIGURE 16

ITEM NO.	FUNCT GROUP	ITEM NAME	ITEM NO.	FUNCT GROUP	ITEM NAME	ITEM NO.	FUNCT GROUP	ITEM NAME
1	5013	NUT	9	2202	SOCKET	17	2202	CHUCH AY
2	2202	RETAINER	10	2202	NIPPLE	18	2202	FITTING
3	5013	NUT	11	2202	HOSE AY	19	5013	SCREW
4	5013	BRACKET	12	5013	RACK	20	5013	NUT
5	5013	SCREW	13	5013	SCREW	21	5013	NUT
6	5013	RACK	14	5013	SCREW	22	5013	BRACE
7	5013	SCREW	15	2202	VALVE	23	5013	SCREW
8	2202	BUSHING	16	2202	HOSE AY	24	5013	NUT

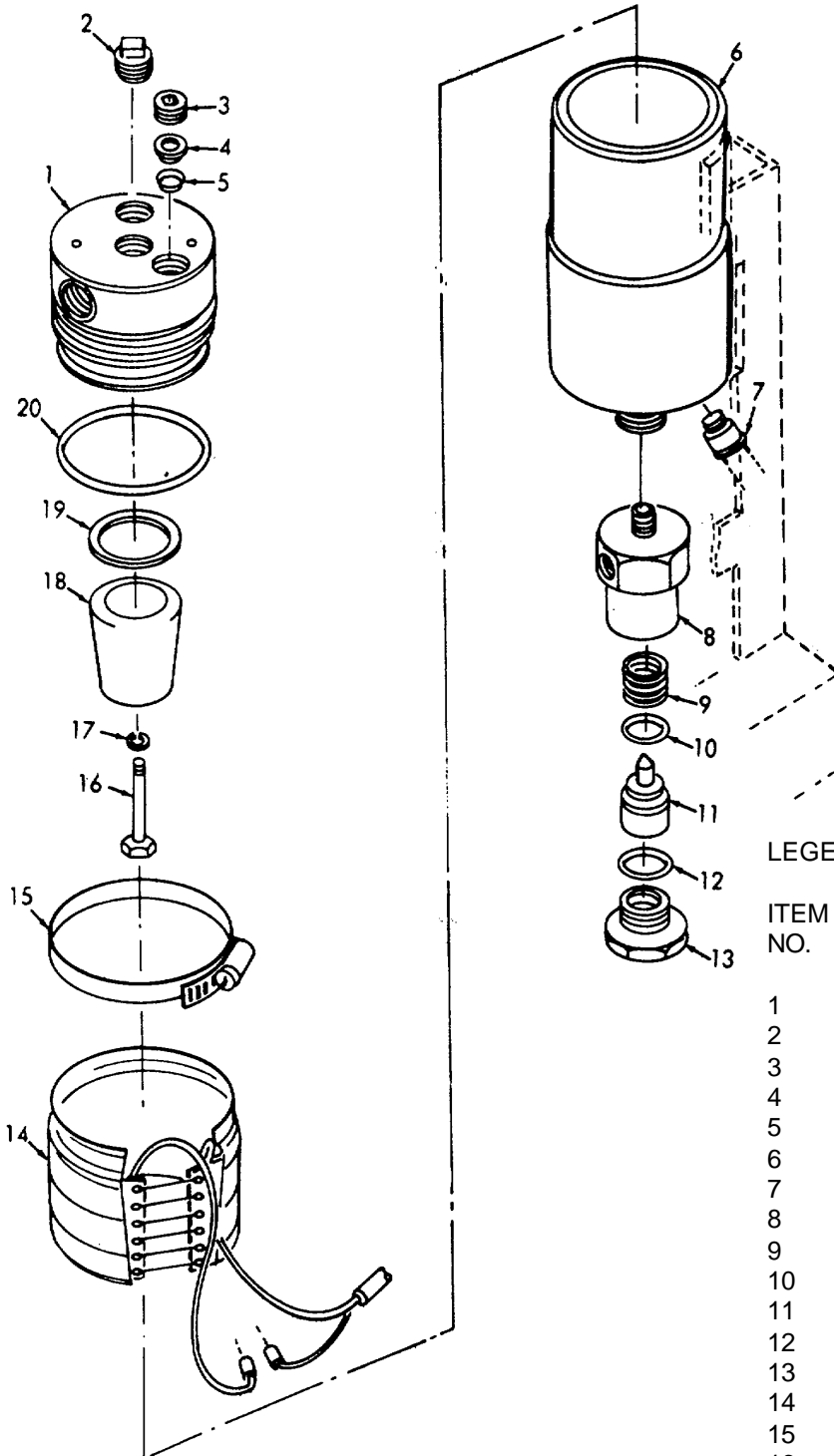
LEGEND TO PARTS, FIGURE 17

ITEM NO.	FUNCT GROUP	ITEM NAME
1	5009	STEM
2	5009	SCREW, ADJUST
3	5009	SPRING
4	5009	SHIM, SPRING
5	5009	RETAINER, SPNG
6	5009	PACKING, O-RING
7	5009	PISTON AY
8	5009	BALL, METAL
9	5009	SPRING, BALL
10	5009	BODY
11	5009	GASKET, TUBE



ME 4310-226-25P/17

Figure No. 17. Pressure Relief Valve



LEGEND TO PARTS, FIGURE 18

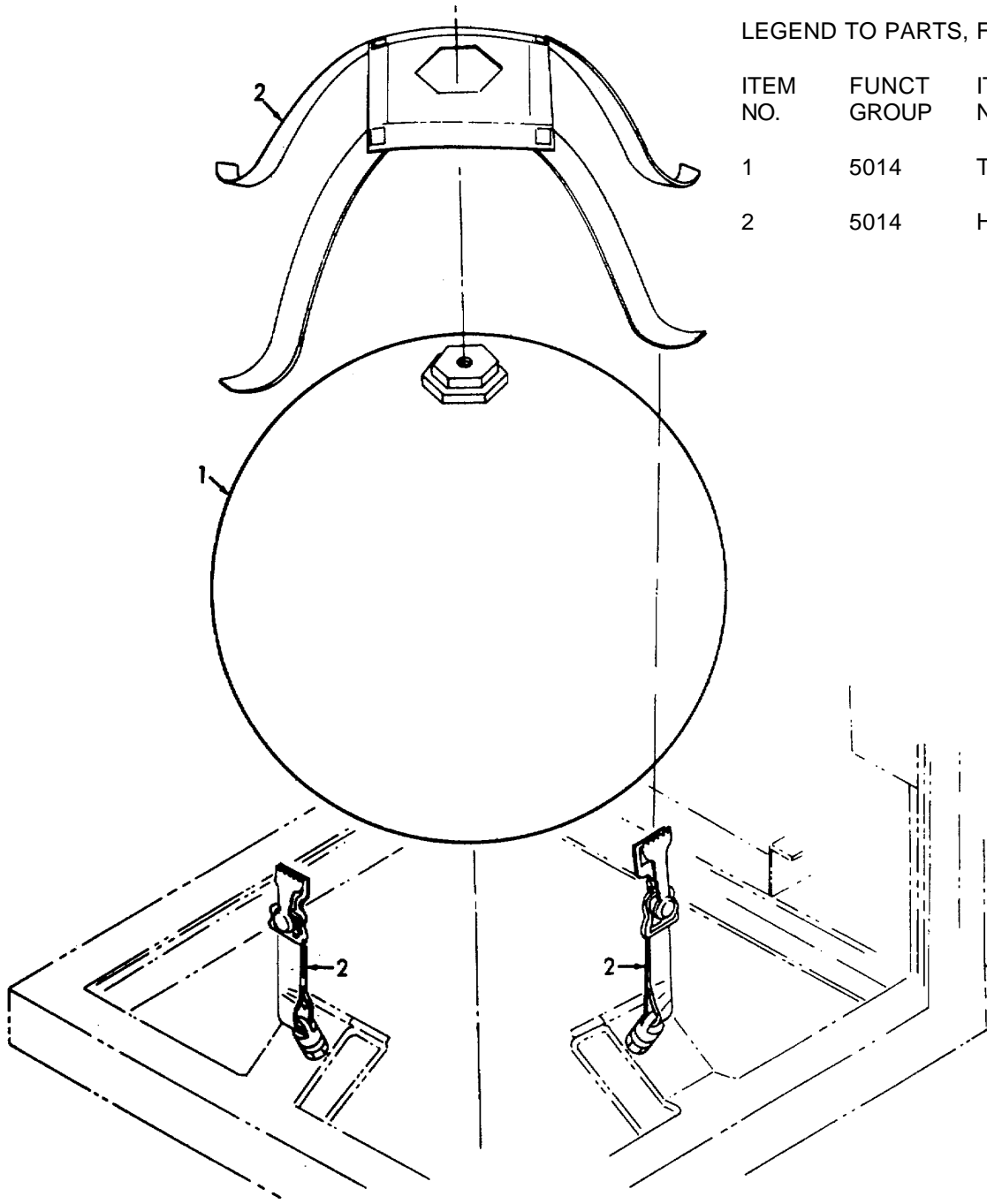
ITEM NO.	FUNCT GROUP	ITEM NAME
1	5009	CAP
2	5009	PLUG
3	5009	RETAINER
4	5009	RING
5	5009	DISC
6	5009	SHELL
7	5009	SWITCH
8	5009	BODY
9	5009	SPRING
10	5009	PACKING
11	5009	PISTON
12	5009	PACKING
13	5009	ADAPTER
14	5010	BLANKET
15	5010	CLAMP
16	5009	SCREW AY
17	5009	WASHER
18	5009	ELEMENT
19	5009	GASKET
20	5009	O-RING

ME 4310226-25P/18

Figure No. 18. Dump Valve And Filter Separator

LEGEND TO PARTS, FIGURE 19

ITEM NO.	FUNCT GROUP	ITEM NAME
1	5014	TANK
2	5014	HARNESS AY



ME 4310-226-25P/19

Figure No. 19. Tank And Harness

**Section VII. INDEX-FEDERAL STOCK NUMBER AND REFERENCE NUMBER  
CROSS-REFERENCE TO INDEX NUMBER**

<u>Stock Number</u>	<u>Index Number</u>	<u>Stock Number</u>	<u>Index Number</u>	<u>Stock Number</u>	<u>Index Number</u>
1040-757-6798	00597	2910-633-4069	00125	4310-980-0664	00472
1040-759-3895	00471	2910-781-5777	00122	4310-983-3072	00716
1040-906-7905	00489	2920-023-5167	00226	4310-983-3075	00596
1040-906-7906	00488	2920-28-8-3126	00231	4310-983-3077	00516
1040-906-7907	00413	2920-564-2508	00222	4310-986-7766	00536
1040-921-5293	00448	2920-573-9992	00008	4310-986-7767	00481
1040-921-5294	00412		00229	4310-992-5750	00539
1040-921-5301	00501	2920-580-9265	00223	4330-028-6757	00567
1270-001-2180	00674	2920-608-0079	00228	4330-907-9650	00092
1270-733-1322	00425	2930-364-1899	00578	4440-888-8560	00563
	00563	2940-083-9245	00145	4720-083-8064	00373
	00574	2940-585-1494	00006	4720-946-8220	00372
1270-830-2836	00560		00146	4730-044-4040	00510
	00571	2990-083-9094	00105	4730-088-8520	00767
1270-876-7703	00584	2990-083-9096	00116	4730-090-9249	00376
1450-055-2789	00699	2990-083-9117	00115	4730-187-0840	00374
	00756	2990-083-9243	00109		00614
1450-055-2790	00700	2990-083-9296	00187	4730-187-3600	00629
	00757	2990-083-9297	00210	4730-188-8031	00544
1450-055-9084	00694	2990-607-6533	00186	4730-202-9032	00641
	00751	2990-670-4592	00178	4730-221-2137	00561
1450-386-8786	00704	3110-144-8526	00038	4730-222-1912	00617
	00761	3110-183-6719	00176	4730-231-3026	00555
1450-386-8782	00698	3110-554-5629	00467		00556
	00755	3110-902-2694	00474	4730-231-3028	00763
1450-600-4380	00668	3110-993-0093	00537	4730-231-4010	00554
1450-376-3897	00701	4310-066-0916	00407	4730-277-1921	00553
	00758	4310-069-8222	00458	4730-277-5037	00640
1050-516-4724	00566	4310-069-8224	00459	4730-277-5060	00638
1650-526-9709	00760	4310-097-9632	00607		00639
1050-027-1773	00702	4310-107-0980	00547	4730-277-5083	00766
	00759	4310-226-1103	00593	4730-277-5084	00765
1650-561-5252	00673	4310-296-9254	00477	4730-277-6372	00620
1050-561-5254	00676	4310-296-9396	00512		00622
1650-576-9420	00575	4310-296-9448	00646	4730-277-6458	00663
	00576	4310-296-9455	00648	4730-278-0678	00636
	00671	4310-296-9457	00653	4730-278-2780	00642
2110-891-6892	00466	4310-433-2987	00421	4730-278-3242	00664
2610-050-9560	00294		00426	4730-278-3905	00369
2610-051-9114	00295	4310-433-2989	00446		00546
2805-061-4667	00004	4310-433-2990	00486	4730-217-3698	00101
2805-078-7877	00025	4310-433-2991	00511	4730-536-3486	00370
	00072	4310-433-2991	00515	4730-542-3284	00613
2805-086-2642	00039	4310-433-2993	00726	4730-555-9372	00097
2805-269-4691	00024	4310-433-2994	00662	4730-585-6552	00091
	00071	4310-433-2991	00643	4730-851-6866	00615
2805-269-4692	00063	4310-433-2996	00645	4820-032-7661	00678
2805-418-3544	00073	4310-433-2997	00644	4820-086-2437	00707
2805-507-1163	00089	4310-433-2998	00647	4820-088-4572	00706
2805-507-1449	00076	4310-433-2999	00657	4820-097-9831	00109
2805-507-1454	00077	4310-433-3000	00705	4820-275-2226	00153
2805-527-0265	00081	4310-433-3001	00568	4820-602-4412	00666
2805-527-0266	00060	4310-433-3002	00687	4820-678-9467	00377
2605-529-9905	00064	4310-433-3003	00415	4820-813-5496	00709
2805-544-0717	00084	4310-433-3004	00580	4820-956-2316	00710
2805-544-0724	00027	4310-433-3005	00706	5305-150-9158	00632
2805-544-0740	00014	4310-433-3006	00654	5305-151-0361	00724
	00070	4310-433-3007	00651	5305-151-2758	00540
2805-544-0741	00013	4310-433-3008	00656	5305-156-2714	00741
	00093	4310-433-3009	00649	5305-253-5609	00393
2805-562-1133	00056	4310-433-3010	00725	5305-514-8004	00748
2805-574-0001	00032	4310-433-3011	00748	5305-543-5743	00245
2805-607-6456	00028	4310-433-3012	00717		00744
2805-608-0086	00086	4310-574-7702	00434	5305-558-7361	00394
2805-608-0089	00085	4310-574-7703	00490	5305-576-0528	00746
2605-610-3002	00060	4310-574-7708	00422	5305-579-5025	00745
2805-691-3025	00062	4310-574-7714	00585	5305-622-1509	00244
2805-939-9827	00055	4310-574-7716	00650		00360
2805-941-6761	00180	4310-174-7718	00655	5305-638-3438	00246
2805-997-4465	00068	4310-174-7746	00652	5305-939-9621	00099
2805-086-2436	00005	4310-574-7762	00658	5306-150-9221	00336
2910-076-1388	00195	4310-629-1269	00659	5306-143-4308	00327
	00196	4110-793-5871	00559	5306-655-7649	00061
2910-083-9244	00140	4310-848-6071	00504	5306-964-9603	00535
2910-083-9260	00172	4310-906-1008	00473	5307-362-0448	00577
2910-099-5639	00193	4310-906-7465	00468	5310-012-0368	00260
2910-107-1167	00137	4310-930-5922	00406	5310-012-0376	00318
2910-358-5327	00197	4310-979-9279	00418	5310-012-0614	00349
2910-544-0807	00139	4310-979-9281	00417		00623
2910-562-1149	00009	4310-979-9284	00492	5310-043-1702	00238
	00124	4310-979-9288	00493	5310-045-3296	00541
2910-605-1353	00165	4310-979-9294	00495	5310-059-5875	00737

Section VII. INDEX-FEDERAL STOCK NUMBER AND REFERENCE NUMBER  
CROSS-REFERENCE TO INDEX NUMBER.

<u>Stock Number</u>	<u>Index Number</u>	<u>Stock Number</u>	<u>Index Number</u>
5310-081-4219	00310	5340-680-1583	00079
5310-167-0839	00711	5340-721-7680	00269
5310-167-0721	00328	5340-769-5311	00718
	00410	5340-804-6855	00433
5310-167-1311	00616	5340-989-6774	00482
5310-183-4406	00497	5340-989-6775	00494
5310-194-1548	00169	5680-098-4673	00514
5310-208-5769	00619	5910-780-8781	00227
5310-272-7019	00722	5930-015-0041	00565
5310-298-8704	00049	5935-919-5930	00225
5310-407-9566	00332	6615-731-0033	00519
5310-526-0696	00402	6685-065-0092	00399
	00733	6685-553-1995	00400
5310-543-2628	00018	6685-727-8698	00401
5310-543-2705	00087		
5310-543-4690	00283		
5310-550-1130	00363		
	00365		
	00366		
	00713		
	00714		
5310-559-0070	00396		
	00727		
5310-576-5752	00712		
	00728		
5310-582-5965	00174		
	00254		
	00311		
	00312		
5310-584-5005	00074		
	00161		
	00183		
	00249		
	00304		
	00348		
	00350		
	00351		
	00624		
5310-588-0389	00736		
5310-595-7237	00035		
5310-637-9541	00020		
5310-734-5760	00621		
5310-778-0261	00036		
5310-809-3078	00362		
5310-999-0478	00498		
5315-023-7705	00041		
5315-594-9501	00075		
5315-788-5372	00470		
5315-845-7787	00280		
5330-081-6400	00196		
5330-186-1295	00444		
	00455		
	00591		
	00595		
	00768		
5330-186-4947	00630		
	00630		
5330-292-0618	00681		
5330-658-8450	00672		
5330-752-8727	00582		
5330-768-0906	00610		
5330-804-5694	00627		
5330-833-7491	00626		
5330-876-3896	00697		
	00754		
5330-894-1954	00675		
5330-988-9858	00573		
5330-993-0084	00531		
5330-993-0085	00532		
5340-109-7764	00414		
5340-205-6301	00152		
	00548		
	00549		
5340-256-2465	00323		
5340-282-0814	00281		
5340-282-1633	00268		
5340-442-5845	00324		
5340-514-0018	00551		
5340-531-7238	00015		
	00100		
5340-544-0698	00059		
5340-680-1583	00078		

Section VII. INDEX-FEDERAL STOCK NUMBER AND REFERENCE NUMBER  
CROSS-REFERENCE TO INDEX NUMBER

<u>REFERENCE NO.</u>	<u>MFG CODE</u>	<u>INDEX NO.</u>	<u>REFERENCE NO.</u>	<u>MFG CODE</u>	<u>INDEX NO.</u>
AN3-3A	88044	00336	FG6548	00818	00227
AN316-14K	88044	00616	F5215	00818	00233
AN380-3-6	88044	00280	GB68X0H	60380	00474
AN381-2-10	88044	00441	GS147	78480	00137
		00453	K141PT29230C	34199	00004
AN381-2-16	88044	00461	LL502-10-8M	03038	00523
AN381-3-8	88044	00262	LM11910	60038	00288
AN500-6-12	88044	00403	LM11949	60038	00287
AN500A10-24	88044	00724	MAV2	90526	00706
AN500A8-6	88044	00528	MS134355	96906	00500
		00723	MS15795-205	96906	00169
AN501-10-8	88044	00632	MS15795-211	96906	00362
AN501A10-10	88044	00741	MS15795-212	96906	00310
AN505-10-18	88044	00462	MS15795-222	96906	00283
AN505-6-8	88044	00742	MS16625-4037	96906	00433
AN505-8-10	88044	00743	MS16633-1018	96906	00268
AN515-10-24	88044	00540	MS16633-1025	96906	00269
AN535-2-2	88044	00393	MS16633-1037	96906	00323
AN6227-7	88044	00681	MS16633-1050	96906	00324
AN6235-1A	88044	00567	MS16633-75	96906	00281
AN6289-4	88044	00620	MS171534	96906	00263
		00622	MS171592	96906	00265
AN6289-6	88044	00765	MS171650	96906	00264
AN6289D6	88044	00766	MS20364-1032C	96906	00353
AN815-4	88044	00664	MS20364-1216A	96906	00722
AN816-4	88044	00374	MS20364-632A	96906	00402
		00614			00733
AN816-4-4	88044	00613	MS20364-832A	96906	00736
AN818-4	88044	00617	MS20364-832C	96906	00738
AN826-4	88044	00640	MS20365-1032A	96906	00734
AN832-4	88044	00663	MS20365-1032C	96906	00240
AN833-4	88044	00555			00735
		00556	MS20365-440C	96906	00241
AN833-6	88044	00763	MS20365D1032A	96906	00478
AN834-4	88044	00638	MS20819-4	96906	00636
		00639	MS20822-4-4	96906	00554
AN893-2	88044	00544	MS20913-2S	96906	00561
AN893-5C	88044	00545	MS20913-4CR	96906	00097
AN912-1C	88044	00369	MS20364-1032C	96906	00737
		00546	MS21919G19	96906	00551
AN916-4C	88044	00091	MS21919D64	96906	00152
AN917-1C	88044	00641			00548
AN917-4C	88044	00101			00549
AN919-6	88044	00629	MS28720-4	96906	00566
AN924-4	88044	00619	MS28759E2400	96906	00372
		00621	MS28774-7	96906	00675
AN933-2	88044	00526	MS28777-4	96906	00630
AN935-10	88044	00541			00631
AN935-516	88044	00332	MS28777-6	96906	00444
AN938-4	88044	00642			00455
AN939-4	88044	00553			00591
AN960-8161	88044	00711			00595
AN960PD10	88044	00497			00768
AW217J	61349	00399	MS28778-16	96906	00627
AW21814AC01	61349	00400	MS28778-5	96906	00626
AW817AC01	61349	00401	MS29561-228	96906	00582
A220136	34199	00228	MS35223-15	96906	00246
A220474	34199	00222	MS35223-42	96906	00394
A230066	34199	00089	MS35223-47	96906	00746
A230103	34199	00056	MS35223-80	96906	00357
A230540	34199	00186			00358
A230774	34199	00069			00359
A230943	34199	00210	MS35223-86	96906	00634
A231408	34199	00225	MS35224-63	96906	00244
A231496	34199	00090			00360
A231644	34199	00103	MS35224-64	96906	00745
A231796	34199	00140	MS35224-65	96906	00245
A231982	34199	00230			00744
A232688	34199	00043	MS35224-84	96906	00162
A232776	34199	00068	MS35224-91	96906	00635
A235157	34199	00180	MS35297-31	96906	00327
A2617-2	06370	00415	MS35297-33	96906	00331
B230039	34199	00060	MS35297-59	96906	00330
B230074	34199	00055	MS35297-6	96906	00306
B230741	34199	00023			00307
COHL	82224	00392	MS35297-65	96906	00019
COML	78189	00530	MS35298-32	96906	00408
COML	78385	00166	MS35298-6	96906	00271
D494	06370	00414	MS35333-38	96906	00396
E12A	78480	00122			00727
FG5221	00818	00237	MS35333-39	96906	00712
FG6547	00818	00226			00728

Section VII. INDEX-FEDERAL STOCK NUMBER AND REFERENCE NUMBER  
CROSS-REFERENCE TO INDEX NUMBER

<u>REFERENCE NO.</u>	<u>MFG CODE</u>	<u>INDEX NO.</u>	<u>REFERENCE NO.</u>	<u>MFG CODE</u>	<u>INDEX NO.</u>
MS35333-40	96906	00363	X85-1	34199	00052
		00365	02531	78480	00127
		00366	0628-0058	04255	00171
		00713	110-121	00166	00114
		00714	110-129	00166	00107
MS35333-41	96906	00328	110-209	00166	00109
		00410	110-68	00166	00116
MS35333-42	96906	00035	112-18	00166	00106
MS35338-43	96906	00364	112-68	00166	00117
MS35338-44	96906	00174	11428	78480	00134
		00254	11431	78480	00133
		00311	11562	78480	00129
		00312	11563	78480	00128
MS35338-46	96906	00020	11564	78480	00126
MS35389-1	96906	00294	11565	78480	00130
MS35392-48	96906	00295	116A103	78385	00702
MS35650-102	96906	00349			00759
		00623	116A110	78385	00704
MS35690-405	96906	00161			00761
		00249	116A111-0	78385	00698
		00304			00755
		00348	116A120	78385	00699
		00350			00756
		00351	116A121	78385	00700
		00624			00757
MS35690-505	96906	00318	116A153	78385	00697
MS35690-525	96906	00260			00754
MS35690-602	96906	00018	116B100-10	78385	00694
M34AS832-10C	02615	00529			00751
M451-0H	60380	00176	116B101	78385	00696
Q3L05X3A	43334	00466			00753
Q3L06X3A	43334	00467	116B115	78385	00387
Q8279	60380	00435	116B124	78385	00701
		00447			00758
RK383	78480	00125	11653	78480	00131
R1775B565895	94124	00707	11916	90526	00547
R2172B565896	94124	00708	130A0432	78385	00576
R56-16	06840	00539			00671
XMJ14	11583	00231	130A0457	78385	00439
X113-5	34199	00046			00451
X131-1	34199	00235			00590
X132-1	34199	00031			00594
X132-2	34199	00219			00764
X132-4	34199	00234	130A0967	78385	00464
X132-5	34199	00135	130A0977	78385	00333
		00136	130A1373	78385	00604
X134-1	34199	00033	130A1580	78385	00609
X136-2	34199	00104	130A1581	78385	00612
X15-12	34199	00205	130A2250	78385	00573
X154-3	34199	00099	130B0487	78385	00611
X155-1	34199	00224	130B1136	78385	00456
X161-1	34199	00141			00463
X18-2	34199	00206	130B1759	78385	00608
X19-1	34199	00149	130B2746	78385	00424
X20-1	34199	00087			00562
X230-11	34199	00029	130D3582	78385	00375
X24-2	34199	00053	130G1896	78385	00739
X25-12	34199	00191	130R1897	78385	00740
X25-13	34199	00188	1307	94189	00291
X25-55	34199	00049	1370620	78385	00577
X25-58	34199	00189	140A0109	78385	00685
X25-72	34199	00190	140A0110	78385	00683
X276-4	34199	00147	140A0112	78385	00680
X286-10	34199	00041	140A0113	78385	00686
X301-1	34199	00044	140A0114	78385	00682
X386-19	34199	00158	140A1107	78385	00684
X389-2	34199	00158	140A1114	78385	00684
X439-1	34199	00157	140B1100	78385	00678
X447-10	34199	00155	140B1101	78385	00679
X5-7	34199	00185	14812Q6	50201	00532
X5-8	34199	00045	14830Q6	80201	00531
X50-2	34199	00148	150	79470	00153
X583-1	34199	00016	162A0223	78385	00605
		00047	20011-4-464	10989	00662
X583-2	34199	00017	21FK518	56878	00303
		00048	210149	34199	00201
X67-3	34199	00204	210223	34199	00009
X72-4	34199	00203			00124
X75-28	34199	00098	216CP16	88041	00695
X81-1	34199	00074			00752
		00183	220174	34199	00008
X82-2	24199	00211			00229



Section VII. INDEX-FEDERAL STOCK NUMBER AND REFERENCE NUMBER  
CROSS-REFERENCE TO INDEX NUMBER

<u>REFERENCE NO.</u>	<u>MFG CODE</u>	<u>INDEX NO.</u>	<u>REFERENCE NO.</u>	<u>MFG CODE</u>	<u>INDEX NO.</u>
220475	34199	00223	2670129	78385	00667
220476	34199	00223	2670130	78385	00676
220534	34199	00636	2670131	78385	00669
220537	34199	00006	2670132	78385	00670
		00146	2740235	78385	00568
230002	34199	00058	2740246	78385	00572
230004	34199	00059	2740248	78385	00569
2300075	34199	00024	2740251	78385	00425
		00071			00563
		00066			00574
230008	34199	00081	2740252	78385	00570
230010	34199	00076	2741031	78385	00423
230011	34199	00084			00560
230013	34199	00077			00571
230020	34199	00095	3-16-4ABZ101-4AFZS	09523	00373
230021	34199	00010	300159	78385	00218
230024	34199	00027	305A	28968	00705
		00085	3070321	78385	00598
230027	34199	00082	3070322	78385	00601
230043	34199	00015	3070323	78385	00603
230046	34199	00100	3070324	78385	00602
		00014	3070326	78385	00600
230048	34199	00070	3090682	78385	00719
		00215	3260124	78385	00535
230049	34199	00075	3260125	78385	00537
230053	35199	00022	3260127	78385	00471
230054	34199	00013	3260129	78385	00459
230057	34199	00093	3260130	78385	00442
		06001			00454
230112	34199	00040	3260132	78385	00536
		00026	3260133	78385	00445
230125S	34199	00238			00457
230148	34199	00179	3260143	78385	00428
230149	34199	00080	3260144	78385	00429
230168	34199	00025	3260146	78385	00493
230170S	34199	00172	3260147	78385	00495
		00032	3260148	78385	00482
230175	34199	00066	3260149	78385	00483
230176	34199	00065	3260154	78385	00436
230186	34199	00079	3260159	78385	00417
230293	34199	00078	3260160	78385	00496
230294	34199	00202	3260161	78385	00494
230326-2	34199	00236	3260162	78385	00437
230334	34199	00028			00449
230402	34199	00064	3260163	78385	00438
230467	34199	00178			00450
230476	34199	00177	3260164	78385	00484
230477	34199	00063	3260165	78385	00481
230519	34199	00062	3260168	78385	00470
230525	34199	00061	3260169	78385	00596
230526	34199	00216	3260178	78385	00597
230757	34199	00212	3260179	78385	00592
230909	34199	00042	3260185	78385	00718
230983	34199	00012	3260188	78385	00421
231090	34199	00209	3260194	78385	00721
		00184	3260240	78385	00472
231355	34199	00092	3260261	78385	00534
231419	34199	00143	3260265	78385	00524
231576	34199	00144	3260266	78385	00522
231578	34199	00182	3260267	78385	00518
231581	34199	00123	3260297	78385	00480
231585	34199	00038	3260333	78385	00386
231625	34199	00051	3260430	78385	00519
231638	34199	00113	3260438	78385	00409
231683	34199	00005	3260556	78385	00525
231706	34199	00057	3260566	78385	00516
231956	34199	00181	3260581	78385	00448
232616	34199	00187	329	28968	00710
232618	34199	00039	3370127	78385	00580
232668	34199	00217	3370131	78385	00584
232695	34199	00083	3370170	78385	00586
232777	34199	00145	3370524	78385	00579
232777	34199	00073	3370525	78386	00583
232804	34199	00011	3370526	78385	00588
240013	34199	00139	3370527	78385	00587
240281	34199	00666	3370621	78385	00517
		00673	3370622	78385	00578
2670100-1	78385	00674	3370623	78385	00581
2670123	78385	00677	3370632	78385	00385
2670124	78385	00668	3400X4	79470	00510
2670124	78385	00383	3477	94189	00285
2670125	78385	00672	3480	94189	00286
2610126	78385				
2610127	78385				
2670128	78385				

Section VII. INDEX-FEDERAL STOCK NUMBER AND REFERENCE NUMBER  
CROSS-REFERENCE TO INDEX NUMBER

<u>REFERENCE NO.</u>	<u>MFG CODE</u>	<u>INDEX NO.</u>	<u>REFERENCE NO.</u>	<u>MFG CODE</u>	<u>INDEX NO.</u>
3590176	78385	00720	434-0200	78385	00382
3610187	78385	00599	434-0201	78385	00380
3620-128	78385	00458	434-0203	78385	00361
3741	94189	00290	434-0204	78385	00379
3750231	78385	00767	434-0229	78385	00390
3750345	73858	00716	437-0278	78385	00440
3750463	78385	00508			00487
3750464	78385	00514	437-0279	78385	00479
3750465	78385	00512	437-0283	78385	00691
3750467	78385	00513	437-0284	78385	00690
3750473	78385	00517	4407-0035	78385	00308
3750488	78385	00527	4407-0036	78385	00302
3753	94189	00292	4407-0038	78385	00273
3800131	78385	00427	4407-0039	78385	00314
3800156	78385	00420	4407-0040	78385	00317
3800137	78385	00422	4407-0042	78385	00299
3800138	78385	00430	4407-0068	78385	00315
		00477	4407-0070	78385	00301
3800148	78385	00432	4408-0041	78385	00337
3800164	78385	00034	4408-0042	78385	00338
3800178	78385	00418	4408-0043	78385	00342
3800194	78385	00509	4408-0044	78385	00343
3800195	78385	00492	4408-0048	78385	00341
3800196	78385	00491	4408-0054	78385	00412
3800222	78385	00725	4408-0056	78385	00346
3800321	78385	00658	4408-0057	78385	00345
3800366	78385	00371	4408-0058	78385	00347
3800400-3-1	78385	00406	4408-0059	78385	00340
3800400-6	78385	00407	4408-0060	78385	00344
3800497	78385	00389	4408-0061	78385	00339
3800499	78385	00511	4410-0160	78385	00419
3800595	78385	00606	4417-0013	78385	00473
3800641	78385	00559	4417-0014	78385	00259
3800691	78385	00504	4428-0169	78385	00769
3800692	78385	00503	4428-0171	78385	00665
3800693	78385	00506	4428-0181	78385	00652
3800694	78385	00507	4428-0182	78385	00649
3800695	78385	00505	4428-0183	78385	00656
3810123	78385	00717	4428-0184	78385	00651
3832	94189	00289	4428-0185	78385	00654
4BT12B	45681	00618	4428-0186	78385	00653
4CB12B	09523	00156	4428-0187	78385	00655
407-0201	78385	00258	4428-0188	78385	00650
407-0207	78385	00270	4428-0189	78385	00657
407-0208	78385	00376	4426-0190	78385	00659
407-0209	78385	00628	4428-0191	78385	00644
407-0218	78385	00316	4428-0192	78385	00645
407-0221	78385	00151	4428-0193	78385	00726
407-0232	78385	00275	4428-0194	78385	00643
407-0236	78385	00732	4428-0195	78385	00648
407-0237	78385	00730	4428-0196	78385	00646
407-0352	78385	00731	4428-0197	78385	00647
408-0165	78385	00413	4428-0198	78385	00543
408-0167	78385	00165	4428-0199	78385	00172
408-0198	78385	00354	4455-0016	78385	00502
410-0300	78385	00689	4455-0017	78385	00501
412-0094	78385	00250	4455-0018	78385	00558
412-0095	78385	00272	4457-0012	78385	00104
412-0096	78385	00468	4457-0013	78385	00242
417-0059	78385	00475	4459-0104	78385	00585
417-0063	78385	00257	4459-0105	78385	00607
417-0064	78385	00321	4459-0106	78385	00426
417-0065	78385	00322	4459-0107	78385	00477
419-0111	78385	00692	4459-0108	78385	00434
419-0112	78385	00520	4459-0109	78385	00485
425-0124	78385	00488	4459-0111	78385	00490
425-0125	78385	00693	4459-0112	78385	00422
425-0128	78385	00274	4459-0113	78385	00593
428-0201	78385	00615	4459-0114	78385	00589
428-0282	78385	00688	4459-0115	78385	00515
428-0283	78385	00661	4459-0129	78385	00486
428-0285	78385	00625	4459-0130	78385	00446
428-0299	78385	00552	4460-0001	78385	00298
428-0309	78385	00173	4460-0002	78385	00261
428-0311	78385	00660	4460-0003	78385	00300
430-0090	78385	00251	4465-0032	78385	00687
		00282	448-0473	78385	00279
430-0092	78385	00637	448-0480	78385	00521
430-0094	76385	00748	448-0483	78385	00498
430-0097	78385	00252	448-0491	78385	00416
430A0432	78385	00575	448-0492	78385	00167
434-0191	78385	00395	448-0495	78385	00550

Section VII. INDEX-FEDERAL STOCK NUMBER AND REFERENCE NUMBER  
CROSS-REFERENCE TO INDEX NUMBER

<u>REFERENCE NO.</u>	<u>MFG CODE</u>	<u>INDEX NO.</u>
448-0496	78385	00266
448-0497	78385	00267
448-0503	78385	00309
457-0025	78385	00564
465-0118	78385	00489
4784	53477	00370
48A113	78385	00610
494-50	00166	00108
50FK420	56878	00431
		00443
		00452
		00460
502-15	00166	00119
502-19	00166	00118
504-100	00166	00110
504-2	00166	00111
504-4	00166	00112
504-500	00166	00105
504-7	00166	00115
5669	58553	00377
607-0003	78385	00276
617-0001	78385	00319
617-0002	78385	00320
625-0002	78385	00361
628-0005	78385	00557
628-0007	09523	00163
628-0050-55	78385	00094
628-0054	78385	00096
628-0055	45681	00170
628-0056	45681	00154
628-0057	45681	00159
634-0006	78385	00388
643-0021	78385	00749
645-0055	78385	00565
648-0042-1	78385	00355
		00356
648-0042-10	78385	00168
		00326
		00391
648-0042-4	78385	00325
648-0062	78385	00305
648-0064	78380	00160
648-0066	78385	00253
648-0080	78385	00352
65750	03686	00750
66A417	78385	00703
		00760
690R10SL4P	02660	00243
801073132	94189	00284
830	00165	00193
830-1	00165	00198
830-10A	00165	00196
		00196
830-28	00165	00195
830-38	00165	00194
830-5	00165	00197
830-6-7-8	00165	00199
8793	78480	00132
944	130A0	00330
949T2PP	91816	00709

By Order of the Secretary of the Army:

Official:

KENNETH G. WICKHAM,  
*Major General, United States Army,  
The Adjutant General*

W. C. WESTMORELAND  
*General, United States Army,  
Chief of Staff*

Distribution:

To be distributed in accordance with DA Form 12-25, Section I, (qty rqr block no. 2) organizational maintenance requirements for Air Compressors: Under 5 CFM.

☆U.S. GOVERNMENT PRINTING OFFICE: 2000-461-711/21455

COMPRESSOR, RECIPROCATING - 1969